

ARTWORK FILE #  
SEE TABLE

**PRODUCT INFORMATION LABEL**

HALO LOGO  
(OTHER SIDE ALL)

UL CLASSIFIED (E32728) C & US  
OTHER SIDE

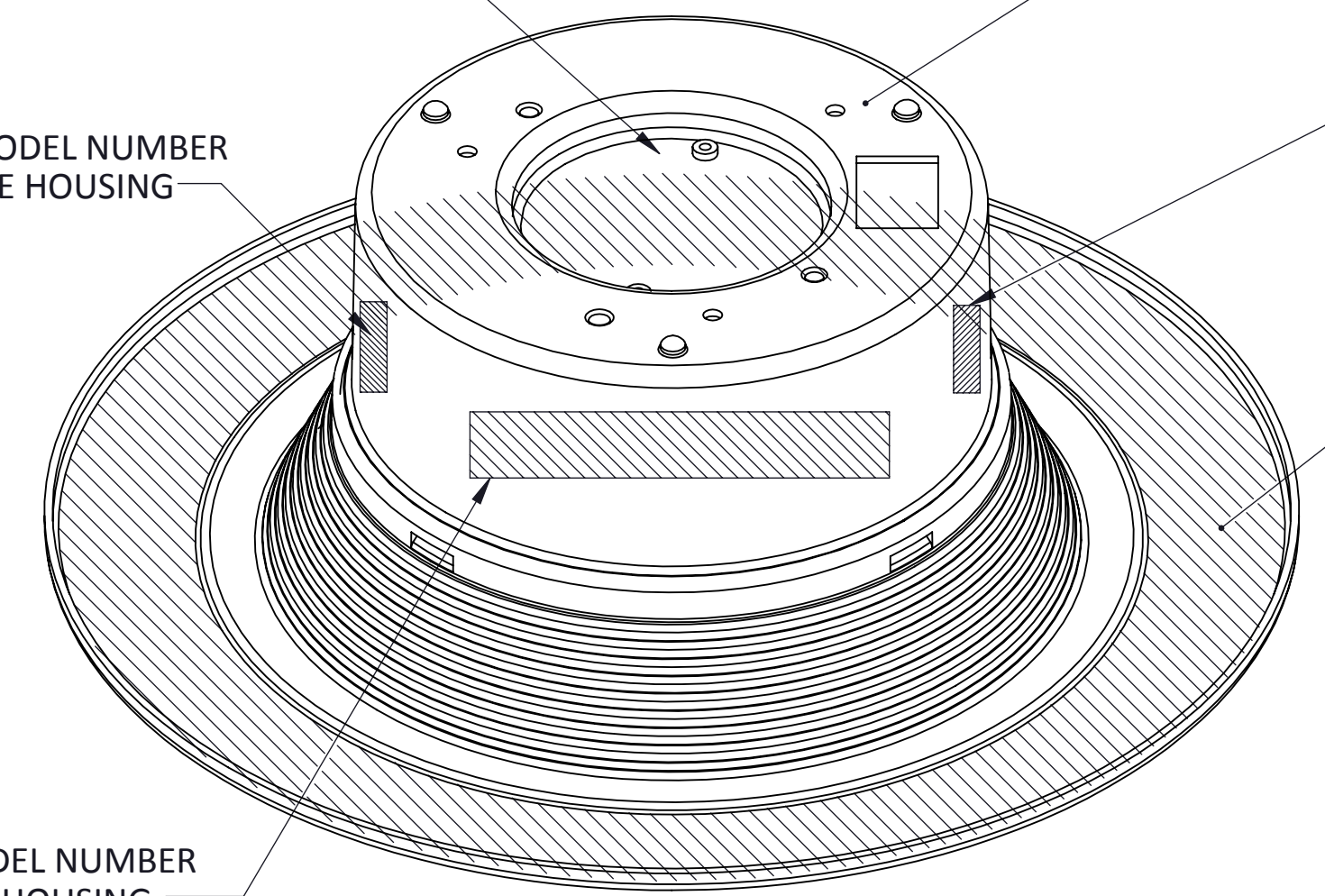


FCC LABEL  
SEE THE TABLE FOR SPECIFIC INFORMATION TO  
PRINT TO THE HOUSING

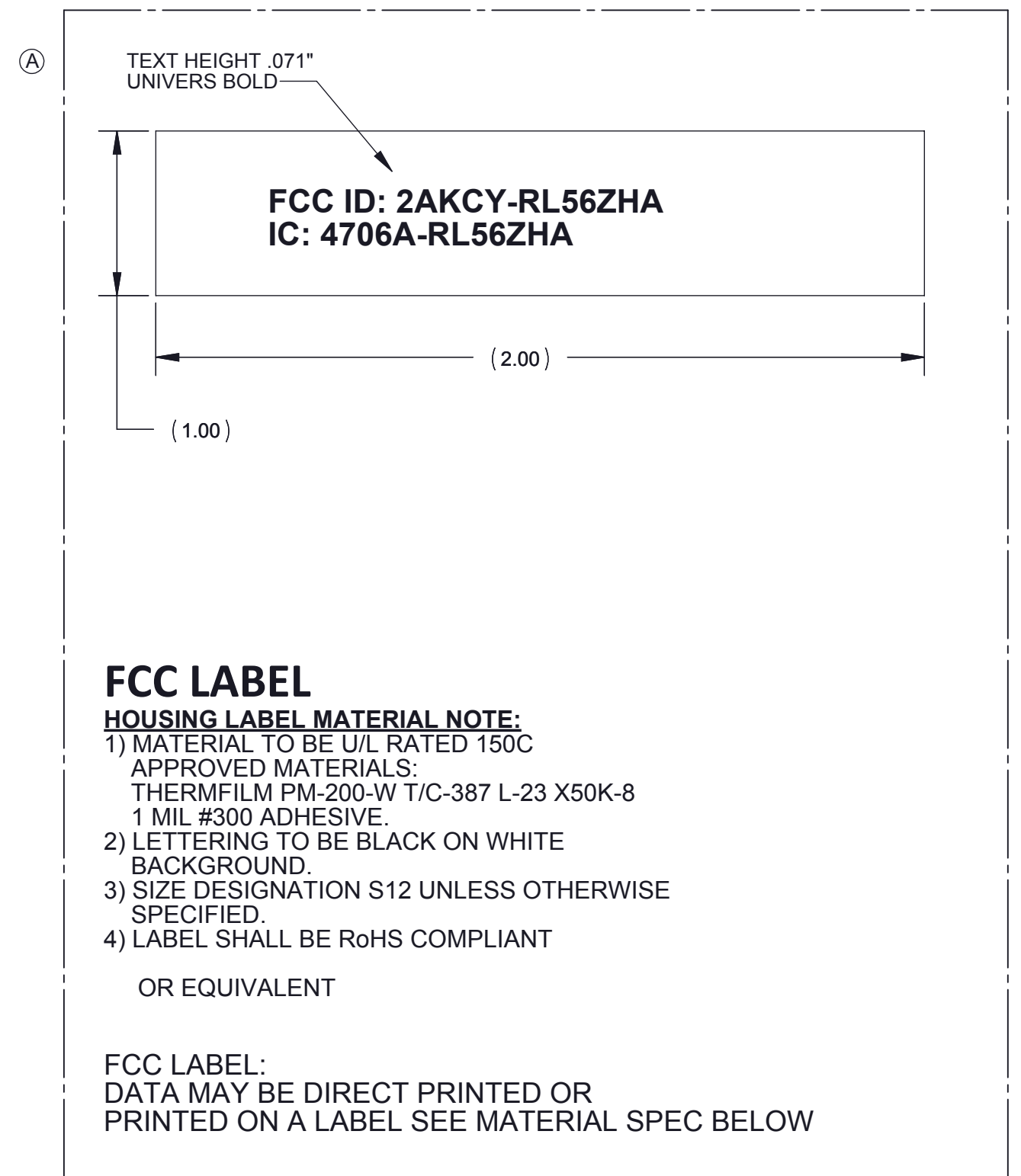
PRODUCT INFORMATION LABEL  
SEE THE TABLE FOR SPECIFIC MODEL NUMBER INFORMATION TO PRINT TO THE HOUSING

ELECTRICAL DATA  
SEE THE TABLE FOR SPECIFIC MODEL NUMBER  
INFORMATION TO PRINT TO THE HOUSING

SERIAL LABEL  
SEE THE TABLE FOR SPECIFIC MODEL NUMBER  
INFORMATION TO PRINT TO THE HOUSING

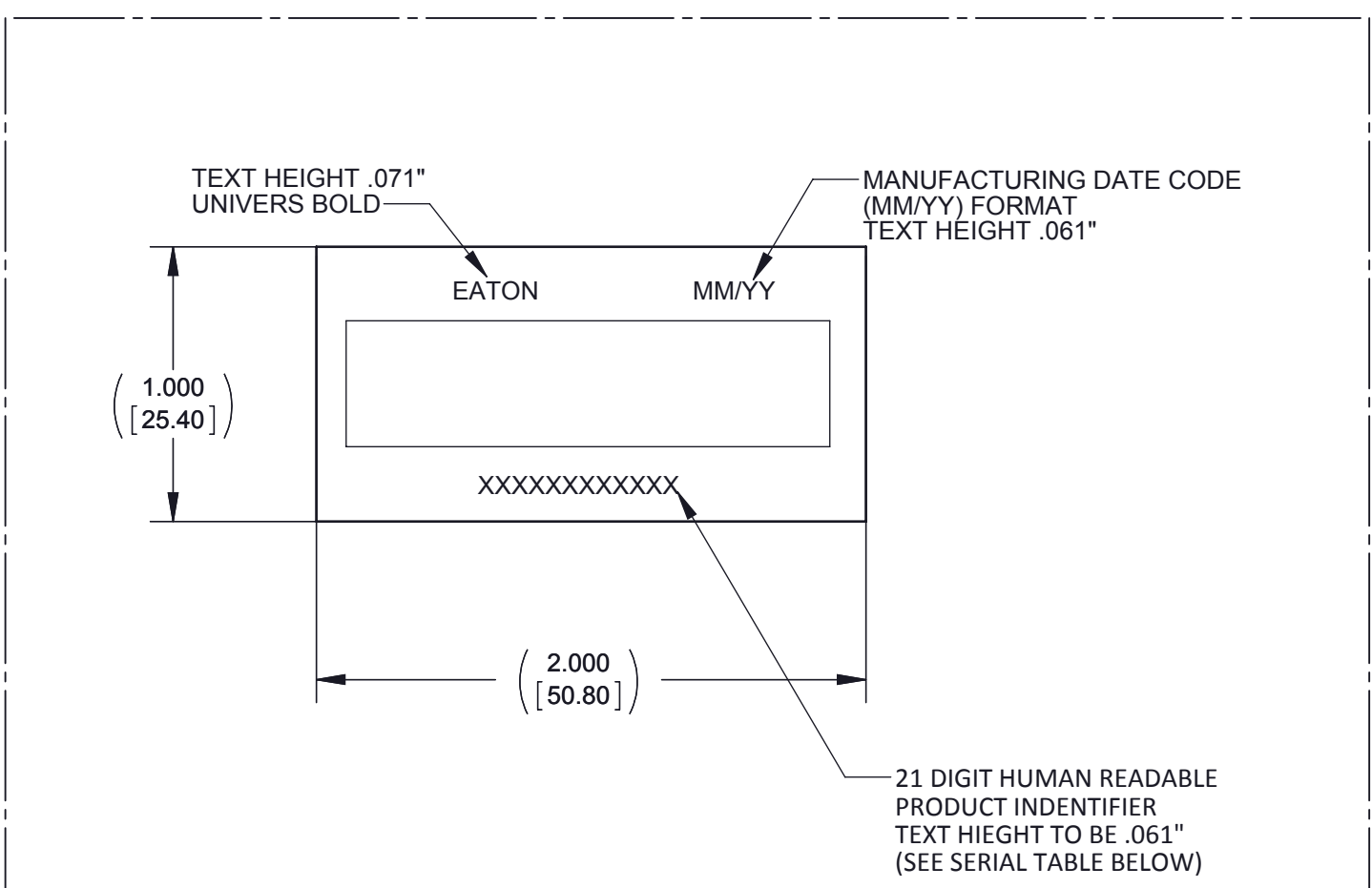


PRODUCT INFORMATION - RL56ZHA					
NO.	CAT #	CCT	WATTS	T24 LOGO	ARTWORK FILE
1	RL560WHZHA69	2700K-5000K	9.6	YES	LL51866ML



**FCC LABEL**  
HOUSING LABEL MATERIAL NOTE:  
1) MATERIAL TO BE U/L RATED 150C  
APPROVED MATERIALS:  
THERMFILM PM-200-W T/C-387 L-23 X50K-8  
1 MIL #300 ADHESIVE.  
2) LETTERING TO BE BLACK ON WHITE  
BACKGROUND.  
3) SIZE DESIGNATION S12 UNLESS OTHERWISE  
SPECIFIED.  
4) LABEL SHALL BE RoHS COMPLIANT  
OR EQUIVALENT  
FCC LABEL:  
DATA MAY BE DIRECT PRINTED OR  
PRINTED ON A LABEL SEE MATERIAL SPEC BELOW

REVISIONS					
REV.	DESCRIPTION	DATE	CHANGE_NUMBER	BY	APPROVED
1	SENT TO LEEDARSON FOR BETA TESTING UNITS	1/12/2017	-	JEB	
2	UPDATED FOR PRODUCTION, UPDATED ARTWORK FILE, ADDED FCC LABEL, MOVED U/L CLASSIFIED LABEL TO BODY	3/9/2017	-	JEB	
-	RELEASED FOR PRODUCTION, ADDED ARTWORK FILE	3/17/2017	-	JEB	
A	UPDATED FCC ID # AND CANIC #	6/20/2017	-	JEB	JEB



SAMPLE: 1LEDVPPDLZHA0916000038

SERIAL LABEL								
1	LED	VPP	XX	DLZHA	XX	XX	XXXXXX	
FINISHED GOODS	LIGHT SOURCE	FINAL ASSEMBLY	CCT	OP	PRODUCTION WEEK	PRODUCTION YEAR	SEQUENTIAL NUMBER	
-	-	-	27	DL - DOWNLIGHT	01-52	12 - 99	00001-	
-	-	-	30	DLZHA - DOWNLIGHT ZIGBEE HOME AUTOMATION	-	-	999999	
-	-	-	35	-	-	-	-	
-	-	-	40	-	-	-	-	
-	-	-	50	-	-	-	-	
-	-	-	-	-	-	-	-	

**SERIAL LABEL**  
HOUSING LABEL MATERIAL NOTE:  
1) MATERIAL TO BE U/L RATED 150C  
APPROVED MATERIALS:  
THERMFILM PM-200-W T/C-387 L-23 X50K-8  
1 MIL #300 ADHESIVE.  
2) LETTERING TO BE BLACK ON WHITE  
BACKGROUND.  
3) SIZE DESIGNATION S12 UNLESS OTHERWISE  
SPECIFIED.  
4) LABEL SHALL BE RoHS COMPLIANT  
OR EQUIVALENT

ELECTRICAL DATA TABLE	
RL560WHZHA	
AC INPUT: 120V	
120 VAC ~ .081A	
60HZ Pf ≥.9	

**ELECTRICAL DATA LABEL**

ONLY PRINT 3 LINES  
DEPENDING ON LUMEN  
PACKAGE

**MUST CONFORM TO ROHS SPECIFICATION CL-ES-1025**

CONFIDENTIAL - The information contained in this document is the property of Cooper Industries, Inc. It is not for public disclosure. Possession of the information does not convey any right to loan, sell, or disclose the information. Unauthorized reproduction or use of the information is prohibited. This document is to be returned to Cooper Industries Inc. upon completion of the purpose for which it was loaned or upon request. COPYRIGHT Cooper Industries Inc. This is an unpublished work. The disclosure of this work is limited to select personnel. Further dissemination or disclosure to the public is PROHIBITED. This unpublished work is protected by Federal Copyright law and all rights thereunder are reserved by Cooper Industries, Inc.

PART NUMBER		DO NOT SCALE DRAWING	SURFACE AREA: 139.84 IN2	SCALE: N/A	WT: 0.12 LB	VOL: 3.27 IN3	SHEET 1 OF 1
ELECTRONIC CAD DRAWING. DO NOT REVISE MANUALLY. DIMENSIONS ARE IN INCHES UNLESS OTHERWISE SPECIFIED.		APPROVALS		DATE		EATON Powering Business Worldwide	
TOLERANCE		GENERAL SHEET METAL		DRWN: JBOWEN		8/1/2016	
ENGLISH (IN)		XX ±.0150		CHKD:		TITLE: RL56ZHA SMART HOUSING PRINTING	
METRIC (MM)		XX ±.38		L MOD: E9917666		6/20/2017	
SHEET METAL PIERCED EXTRUDED NAIL PUNCH HOLE		XX ±.0150		FINISH: N/A		SIZE: DWG NO: CLP-RL56LDZHA LABEL REV: A	
ANGLES ALL ±1.0		APPR:		DEV/ZINT NO:			