

HALO LOGO  
(OTHER SIDE ALL)

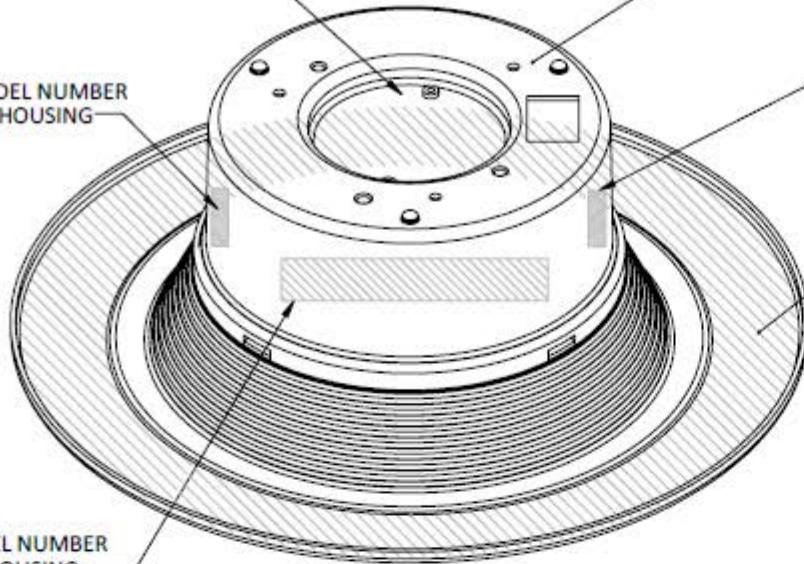
UL CLASSIFIED C & US  
OTHER SIDE



ELECTRICAL DATA  
SEE THE TABLE FOR SPECIFIC MODEL NUMBER  
INFORMATION TO PRINT TO THE HOUSING

FCC LABEL  
SEE THE TABLE FOR SPECIFIC INFORMATION TO  
PRINT TO THE HOUSING

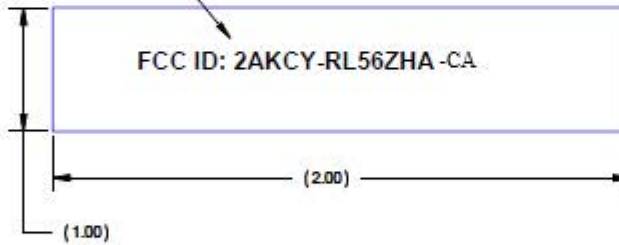
PRODUCT INFORMATION LABEL  
SEE THE TABLE FOR SPECIFIC MODEL NUMBER INFORMATION TO PRINT TO THE HOUSING



SERIAL LABEL  
SEE THE TABLE FOR SPECIFIC MODEL NUMBER  
INFORMATION TO PRINT TO THE HOUSING

3

TEXT HEIGHT .071"  
UNIVERS BOLD



### FCC LABEL

#### HOUSING LABEL MATERIAL NOTE:

- 1) MATERIAL TO BE U/L RATED 150C  
APPROVED MATERIALS:  
THERMFILM PM-200-W T/C-387 L-23 X50K-8  
1 MIL #300 ADHESIVE.
- 2) LETTERING TO BE BLACK ON WHITE  
BACKGROUND.
- 3) SIZE DESIGNATION S12 UNLESS OTHERWISE  
SPECIFIED.
- 4) LABEL SHALL BE RoHS COMPLIANT  
OR EQUIVALENT

FCC LABEL:  
DATA MAY BE DIRECT PRINTED OR  
PRINTED ON A LABEL SEE MATERIAL SPEC BELOW