



PRODUCT INFORMATION LABEL FLANGE

Efficiency Standards

T24 California Title 24 Residential and Non-Residential Compliant

JA8-2016-E

Patent: www.eaton.com/patents
Le brevet: www.eaton.com/patents
La marca: www.eaton.com/patents

LED Lamp Assembly
Assemblage d'ampoule DEL
Asamblea de lámpara LED

RL460WHZHA69

Can be used for **IECC** International Energy Conservation Code High Efficacy Compliance

CLASSIFIED **US** E349750

2700K-5000K
8.4 Watts
RL4 Wireless
HALO LL5181965EN

PRODUCT INFORMATION LABEL BODY

PRODUCT INFORMATION - RL4ZHA					
NO.	CAT#	CCT	WATTS	T24 LOGO	ARTWORK FILE
1	RL40WHZHA69	2700K-5000K	8.4	YES	LL5181965EN & LL5181966EN

ELECTRICAL DATA TABLE	
RL40WHZHA	
AC INPUT	
120 VAC ~ .081A	
60HZ Pf>=9	

ELECTRICAL DATA LABEL

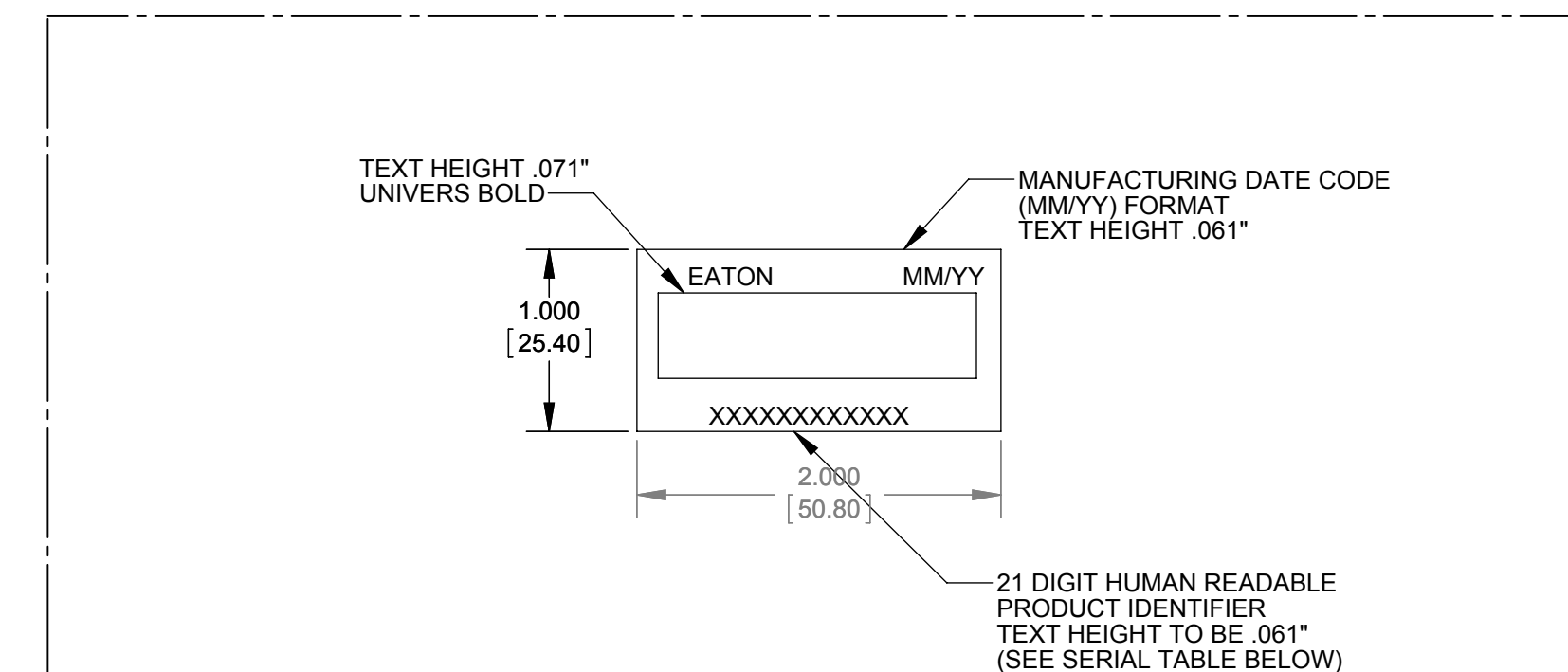
TEXT HEIGHT .071"
UNIVERS BOLD

FCC ID: 2AKCY-RL4ZHA
IC: 4706A-RL4ZHA

FCC LABEL
HOUSING LABEL MATERIAL NOTE:
1) MATERIAL TO BE U/L RATED 150C APPROVED MATERIALS: THERMFILM PM-200-W T/C-387 L-23 X50K-8 1 MIL #300 ADHESIVE.
2) LETTERING TO BE BLACK ON WHITE BACKGROUND.
3) SIZE DESIGNATION S12 UNLESS OTHERWISE SPECIFIED.
4) LABEL SHALL BE ROHS COMPLIANT OR EQUIVALENT

FCC LABEL:
DATA MAY BE DIRECT PRINTED OR PRINTED ON A LABEL SEE MATERIAL SPEC BELOW

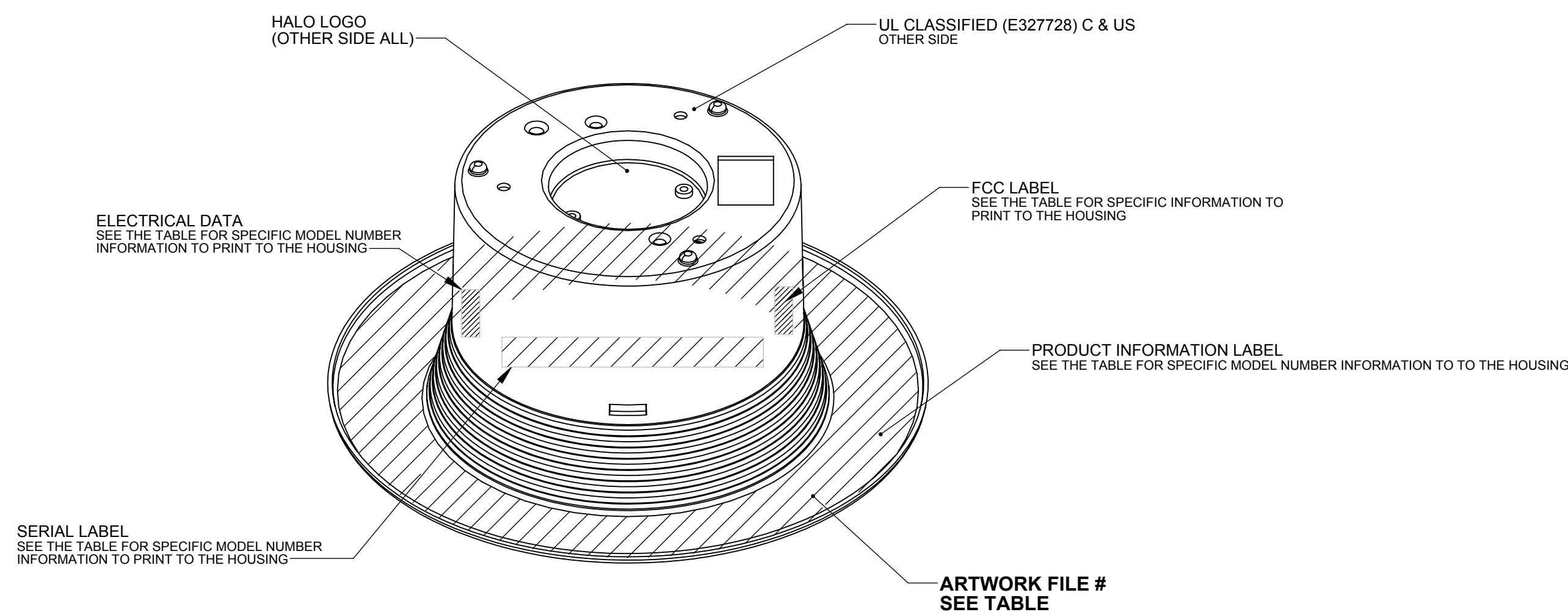
REVISIONS					
REV.	DESCRIPTION	DATE	CHANGE_NUMBER	BY	APPROVED
1	SENT TO LEEDARSON	6/16/2017		JEB	JEB



SAMPLE: 1LEDVPPDLZHA0916000038

SERIAL LABEL								
1	LED	VPP	XX	DLZHA	XXXX	XX	XX	XXXXXX
FINISHED	LIGHT SOURCE	FIRMWARE ASSEMBLY	CCT	DLZHA	FIRMWARE VERSION	PRODUCTION WEEK	PRODUCTION YEAR	SEQUENTIAL NUMBER
-	-	-	27	DL-DOWNLIGHT	-	01-52	12-99	00001-
-	-	-	30	DLZHA-DOWNLIGHT ZIGBEE HOME AUTOMATION	-	-	-	999999
-	-	-	35	-	-	-	-	-
-	-	-	40	-	-	-	-	-
-	-	-	50	-	-	-	-	-

SERIAL LABEL
HOUSING LABEL MATERIAL NOTE:
1) MATERIAL TO BE U/L RATED 150C APPROVED MATERIALS: THERMFILM PM-200-W T/C-387 L-23 X50K-8 1 MIL #300 ADHESIVE.
2) LETTERING TO BE BLACK ON WHITE BACKGROUND.
3) SIZE DESIGNATION S12 UNLESS OTHERWISE SPECIFIED.
4) LABEL SHALL BE ROHS COMPLIANT OR EQUIVALENT



MUST CONFORM TO ROHS SPECIFICATION CL-ES-1025

CONFIDENTIAL - The information contained in this document is the property of Cooper Industries, Inc. It is not for public disclosure. Possession of the information does not convey any right to loan, sell, or disclose the information. Unauthorized reproduction or use of the information is prohibited. This document is to be returned to Cooper Industries Inc. upon completion of the purpose for which it was loaned or upon request. COPYRIGHT Cooper Industries Inc. This is an unpublished work. The disclosure of this work is limited to select personnel. Further dissemination or disclosure to the public is PROHIBITED. This unpublished work is protected by Federal Copyright law and all rights thereunder are reserved by Cooper Industries, Inc.

20	19	18	17	16	15	14	13	12	11	10	9	8	7	6	5	4	3	2	1	REV
ELECTRONIC CAD DRAWING. DO NOT REVISE MANUALLY.																				
DIMENSIONS ARE IN INCHES										DIMENSIONS IN [] ARE IN MM										
TOLERANCE										GENERAL SHEET METAL										
ENGLISH (IN)										METRIC (MM)										
SHEET METAL PIERCED										EXTRUDED NAIL PUNCH HOLE										
ANGLES										TALL										
MATERIAL: N/A										FINISH: N/A										
APPROVALS										DATE										
DRWN: JT										6/16/2017										
CHKD: JEB										L MOD: E9917666										
APPR: JEB										SURFACE AREA: 84.00 IN²										
PART NUMBER										SCALE: WT: 0.06 LB VOL: 1.64 IN3 SHEET 1 OF 1										
DO NOT SCALE DRAWING										SCALE: WT: 0.06 LB VOL: 1.64 IN3 SHEET 1 OF 1										

Powering Business Worldwide

TITLE: **RL4ZHA LABEL PRINTING DRAWING**

SIZE: DWG NO: **CLP-RL4ZHALD LABEL** REV: **0**

DEV/ZINT NO: