

BUILDING YOUR REMOTE CONTROL

**1** Insert the Circuit Board into the back side of the Rear Body.

**2** Connect the wire from the battery compartment to the Circuit Board.  
**NOTE:** Circuit Board - R (connect Red wire) Y (connect Yellow wire)

**3** Attach the Antenna to the Rear Body.

**4** Attach On/Off Switch and left and right Joysticks to the Front Body.

**5** Attach the Front Body and Rear Body using screws provided. Insert a 9V battery (not included) matching the polarity etched in the battery tray. Attach the Battery Cover.

**Parts to Assemble Your Remote Control:**

- A. 1 x Front Body
- B. 1 x Rear Body
- C. 1 x Antenna
- D. 1 x Circuit Board
- E. 1 x On/Off Switch
- F. 2 x Joysticks
- G. 1 x Battery Cover with Screw
- H. 1 x Connect Remote PCB and Antenna
- I. 6 x Short Cross Screws (2.3 x 6 PB)
- J. 1 x Cross Screw (2.3 x 6 PWB x 6)

OPERATING INSTRUCTIONS

**Reverse**

**Forward**

**Left**

**Right**

**Wheel Alignment**

Turn the wheel alignment tab to the right if your trike drifts to the left. Turn the tab to the left if your trike tends to drift to the right.

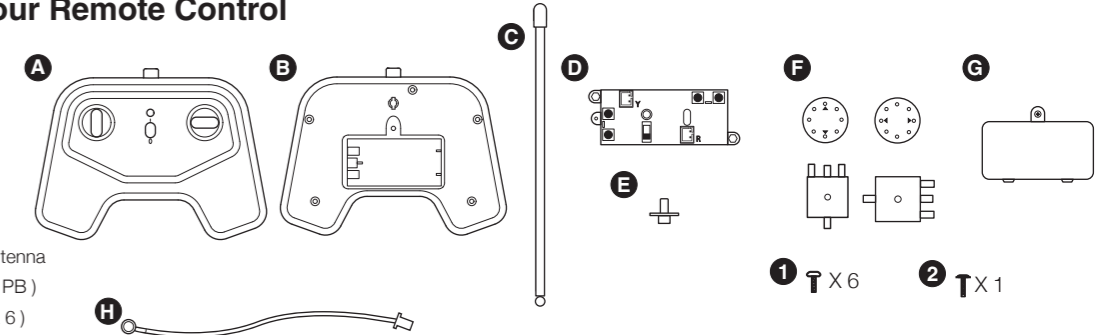
INTRODUCTION

Congratulations on your purchase of the DIY RC Race Trike Kit. Please read all instructions and warnings on this sheet prior to using the product. Keep this instruction sheet as it contains important information for future reference.

CONTENTS

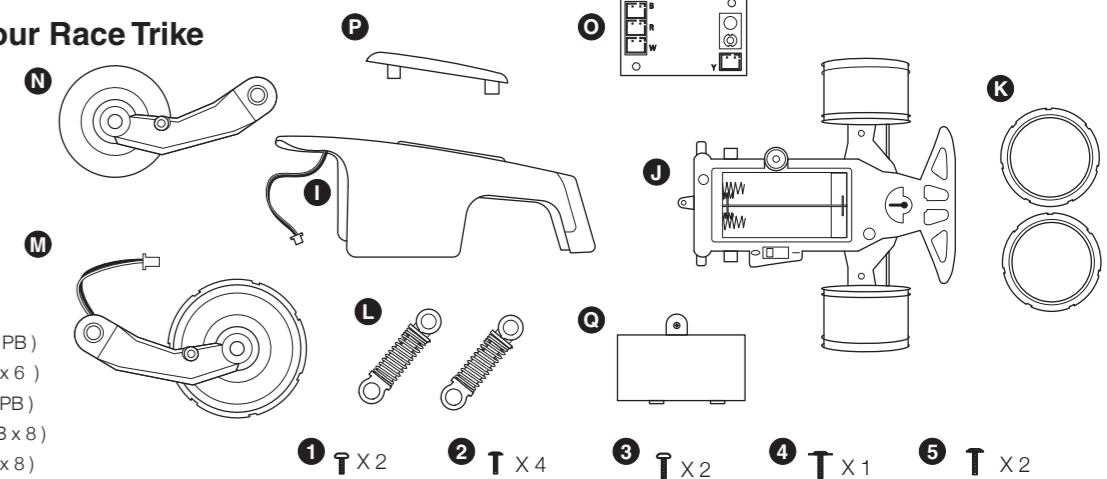
Parts to Assemble Your Remote Control

- A. 1 x Front Body
- B. 1 x Rear Body
- C. 1 x Antenna
- D. 1 x Circuit Board
- E. 1 x On/Off Switch
- F. 2 x Joysticks
- G. 1 x Battery Cover with Screw
- H. 1 x Connect Remote PCB and Antenna
- I. 6 x Short Cross Screws (2.3 x 6 PB)
- J. 1 x Cross Screw (2.3 x 6 PWB x 6)



Parts to Assemble Your Race Trike

- I. 1 x Shell Body
- J. 1 x Chassis
- K. 2 x Front Tires
- L. 2 x Shocks
- M. 1 x Rear Axle with Rear Tire
- N. 1 x Rear Axle
- O. 1 x Circuit Board
- P. 1 x Top Decorative Bar
- Q. 1 x Battery Cover with Screw
- R. 2 x Short Cross Screws (2.3 x 6 PB)
- S. 4 x Cross Screws (2.3 x 6 PWB x 6)
- T. 2 x Long Cross Screws (2.3 x 8 PB)
- U. 1 x Cross Screw (12.6 x 12 PWB x 8)
- V. 2 x Cross Screws (2.3 x 8 PWB x 8)



BATTERY INSTALLATION

The chassis requires 4 "AA" 1.5V batteries (not included) and the remote requires one 9V battery (not included). Use a Phillips head screwdriver to loosen the screw securing the corresponding battery cover plate. Insert the batterie(s), ensuring the correct polarity per the diagrams. Replace the battery cover and tighten the screw.

**SAFETY WARNINGS:**  
PLEASE READ BEFORE USE

- For indoor use only. Avoid water when operating.
- Do not submerge car or controller in water.
- Do not use people or animals as obstacles.
- Do not run car into furniture objects or hard surfaces as this will cause damage to both the objects and car.
- Keep fingers, hair and loose clothing away from the tires, gears and motor while car is switched "ON".
- Do not leave car or transmitter near sources of heat or under direct sunlight for long periods of time.
- Remove all batteries when not in use to avoid accidental operation.
- Adult supervision is recommended when operating car.
- Thoroughly inspect products before every use. If the product appears worn, frayed/splintered, cracked, or broken in any manner, discontinue use and discard immediately.

This device complies with Part 15 of the FCC Rules. Operation is subject to the following two conditions: (1) this device may not cause harmful interference, and (2) this device must accept any interference received, including interference that may cause undesired operation.

**WARNING:** Changes or modifications to this unit not expressly approved by the party responsible for compliance could void the user's authority to operate the equipment.

**NOTE:** This equipment has been tested and found to comply with the limits for a Class B digital device, pursuant to Part 15 of the FCC Rules. These limits are designed to provide reasonable protection against harmful interference in a residential installation. This equipment generates, uses and can radiate radio frequency energy and, if not installed and used in accordance with the instructions, may cause harmful interference to radio communications. However, there is no guarantee that interference will not occur in a particular installation. If this equipment does cause harmful interference to radio or television reception, which can be determined by turning the equipment off and on, the user is encouraged to try to correct the interference by one or more of the following measures:

- Reorient or relocate the receiving antenna.
- Increase the separation between the equipment and receiver.
- Connect the equipment into an outlet on a circuit different from that to which the receiver is connected.
- Consult the dealer or an experienced radio/TV technician for help.

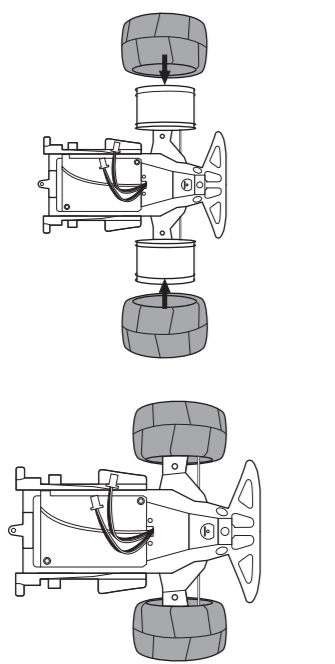
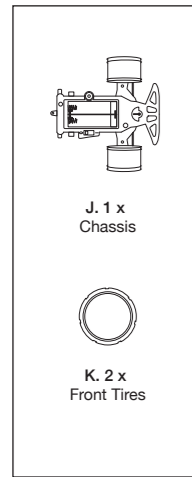
**BATTERY WARNING:**

- Do not mix old and new batteries.
- Do not mix alkaline, standard (carbon-zinc), or rechargeable batteries.
- Alkaline batteries are recommended. Use only the specified voltage.
- Insert batteries using the correct polarity. Always use, replace, and recharge (if applicable) batteries under adult supervision.
- Do not charge with non-rechargeable batteries.
- Do not short-circuit the battery supply terminals.
- Do not dispose of batteries in fire, batteries may explode or leak.
- Remove batteries before storing.
- Recycle or dispose of batteries according to federal, state, and local laws.
- Keep this package for future reference.

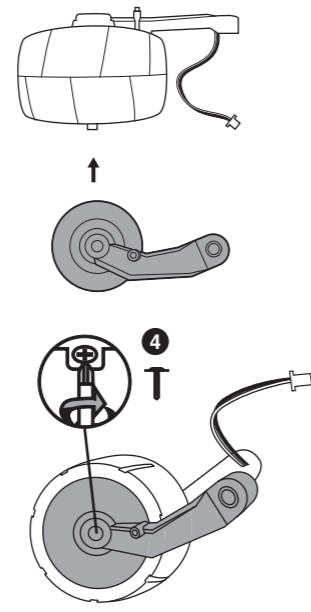
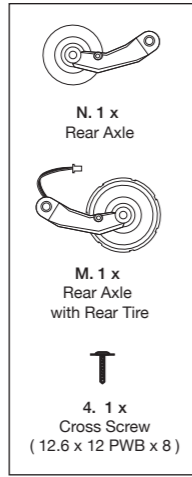
**WARNING:**  
CHOKING HAZARD - Small Parts.  
Not for Children under 3 years.

## BUILDING YOUR RACE TRIKE

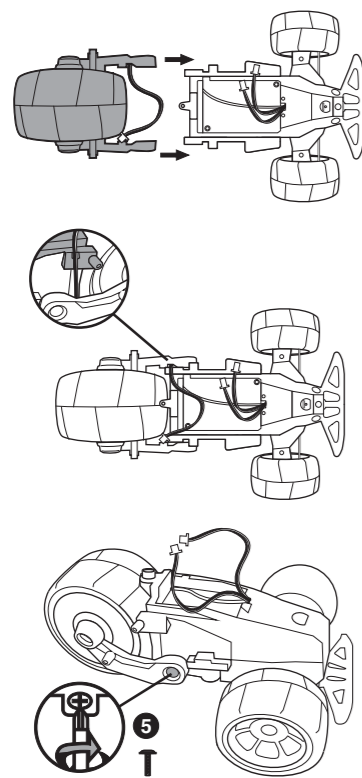
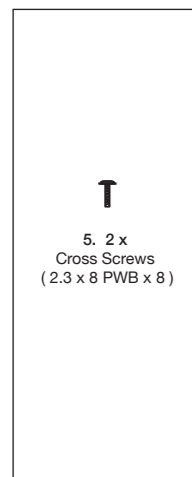
1 Mount the front tires to the front wheels.



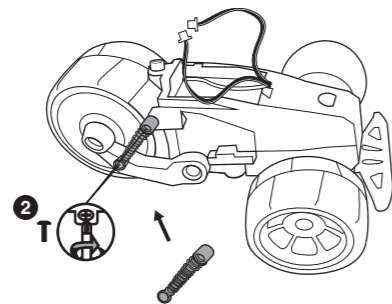
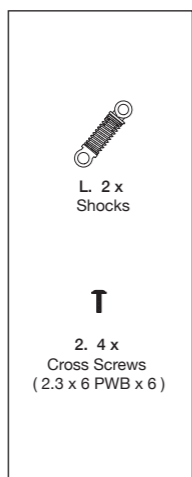
2 Attach right axle to rear wheel.



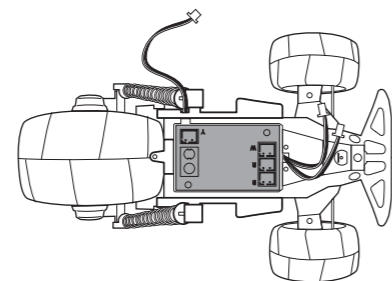
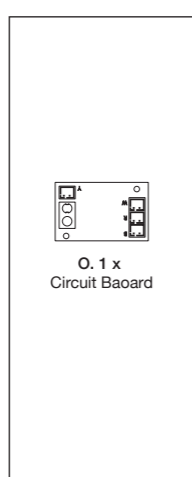
3 Attach rear axles/ rear wheel to rear chassis.



4 Attach the left and right shocks to rear axles/ rear chassis with screws.

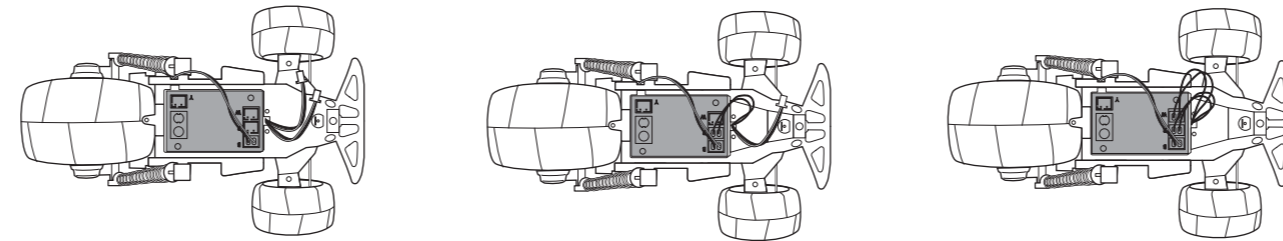


5 Insert the circuit board into the chassis.

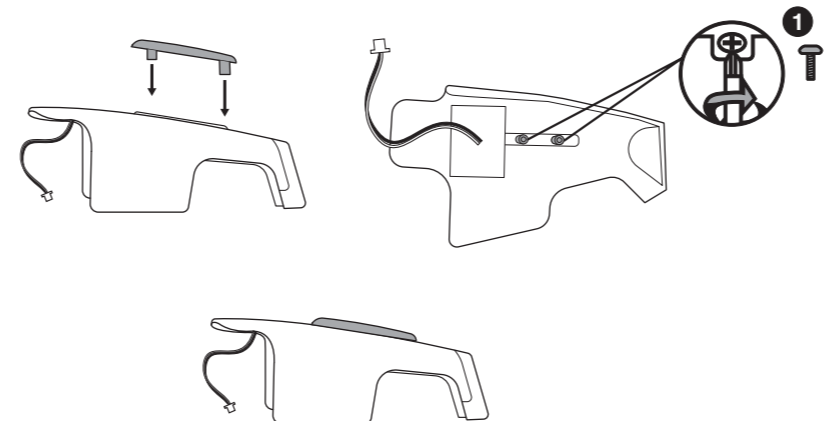
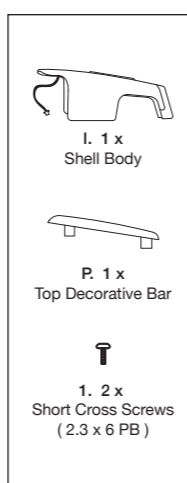


## BUILDING YOUR RACE TRIKE (continue)

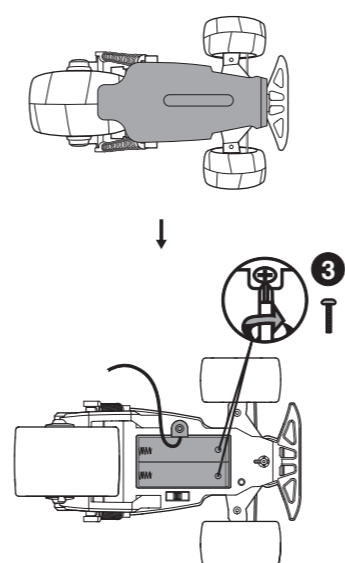
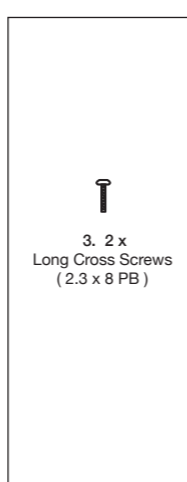
6 Attach all wires to the ports marked R/W/B/Y on circuit board case.  
**NOTE:** Circuit Board - R (connect Red wire) W (connect White wire) B (connect Blue wire) Y (connect Yellow wire)



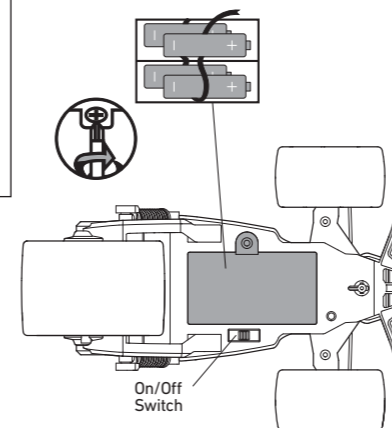
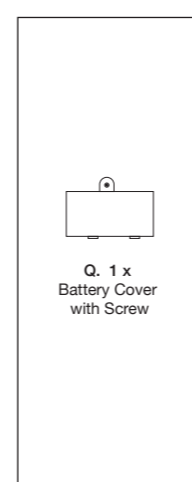
7 Snap the Top Decorative Bar to the top of the Shell Body.



8 Snap the shell body to the chassis. Insert screws from the interior of the battery compartment.



9 On the underside of the trike, insert 4 "AA" 1.5V batteries (not included) in the positions shown etched in the battery tray. When installing the batteries, the batteries should press the cloth belt under, so that when removing the batteries, the cloth belt will easy to remove the batteries out. Add the battery cover and tighten the screw using a Phillips or Cross screwdriver to secure the cover.



## DIY RC RACE TRIKE