

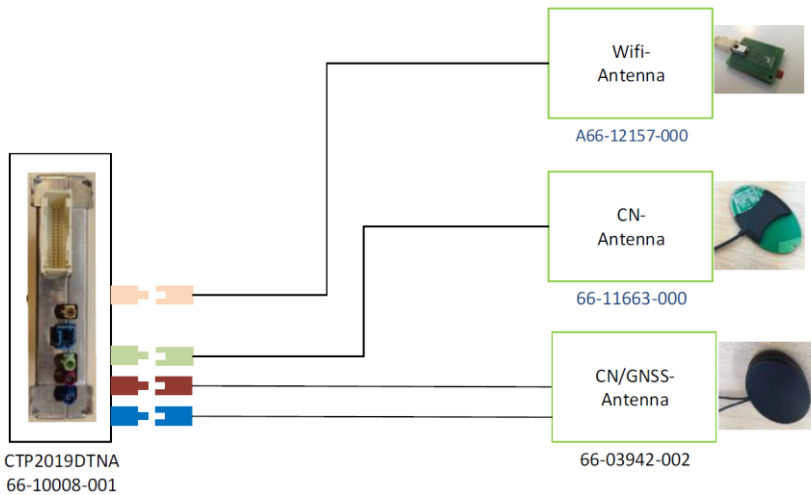
PHOENIX TESTLAB GmbH  
Königswinkel 10  
D 32825 Blomberg

Date: 04.02.2019

FCC ID 2AKC8CTP13933001  
Model CTP2019DTNA

To Whom it may concerns,

This certification covers only the following antenna configuration:



WLAN/BT PCB antenna A66-12157-000 (0 dBi antenna gain for 2.4 GHz)  
CellularNetwork/GNSS antenna 66-03942-002 (0 dBi antenna gain cellulcar network)  
CellularNetwork receive only antenna 66-11663-000

Yours sincerely,



B. Sc. Uwe DOLLITZ  
Section Manager  
International Type Approval  
PHOENIX TESTLAB GmbH