

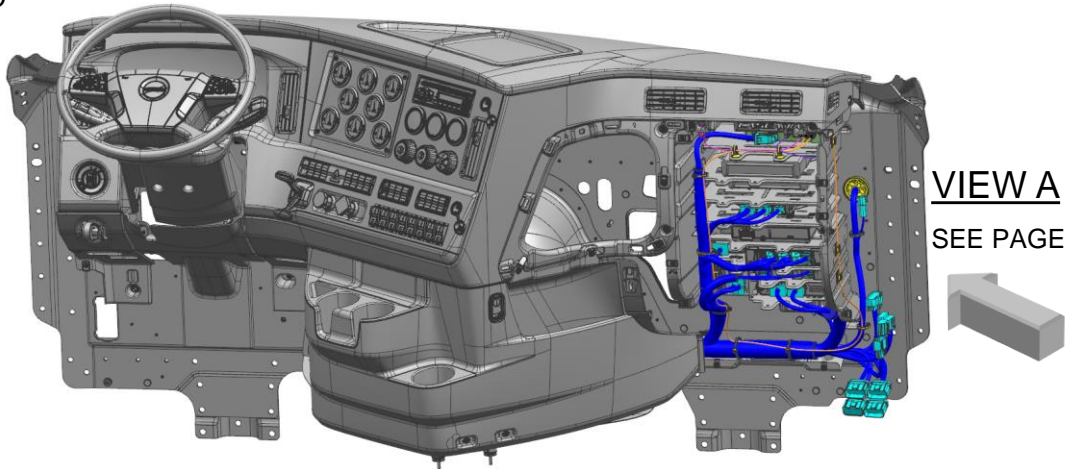
RELEASE NUMBER	REV LTR	REVISION DESCRIPTION	BY	DATE	APPD
P52555-10	-	INITIAL RELEASE	L3T	07/31/18	A2S

1. TO INSTALL: SLIDE THE MODULE FORWARD ON THE DESIGNATED SHELF UNTIL THE REAR SPRING CLIPS ARE COMPRESSED. THEN, LOCK THE 2 TABS OF THE MODULE INTO THE 2 SLOTS IN THE SHELF. CHECK TO MAKE SURE THE TABS ARE FULLY ENGAGED IN THE SHELF.

2. ATTACH ANTENNA (ITEM 2) TO THE TOP OF THE ELECTRICAL BAY HOUSING USING THE INCLUDED FOAM TAPE. ROUTE AND SECURE ANTENNA PIGTAIL ON THE SIDE OF THE EVAULT USING STICK-ON CLIPS (ITEM 7), FOLLOWING THE MAIN DASH HARNESS PATH. SECURE PIGTAIL USING TIE STRAPS (ITEM 6). THEN CONNECT TO THE CTP MODULE (ITEM 1).

3. SECURE 4G CELL ANTENNA (ITEM 3) TO THE LEFT SIDE OF THE ELECTRICAL BAY HOUSING USING THE INCLUDED ADHESIVE BACKING, POSITIONED AS SHOWN IN SECTION E. CONNECT THE ANTENNA PIGTAIL TO THE CTP MODULE (ITEM 1). SECURE PIGTAIL USING A TIE STRAP (ITEM 5).

4. SECURE WIFI ANTENNA (ITEM 4) TO THE RIGHT SIDE OF THE ELECTRICAL BAY HOUSING USING THE INCLUDED ADHESIVE BACKING, POSITIONED AS SHOWN IN SECTION D. CONNECT THE PRE-ATTACHED ANTENNA CABLE TO THE CTP MODULE (ITEM 1). SECURE CABLE USING A TIE STRAP (ITEM 5).



VIEW A  
SEE PAGE 2

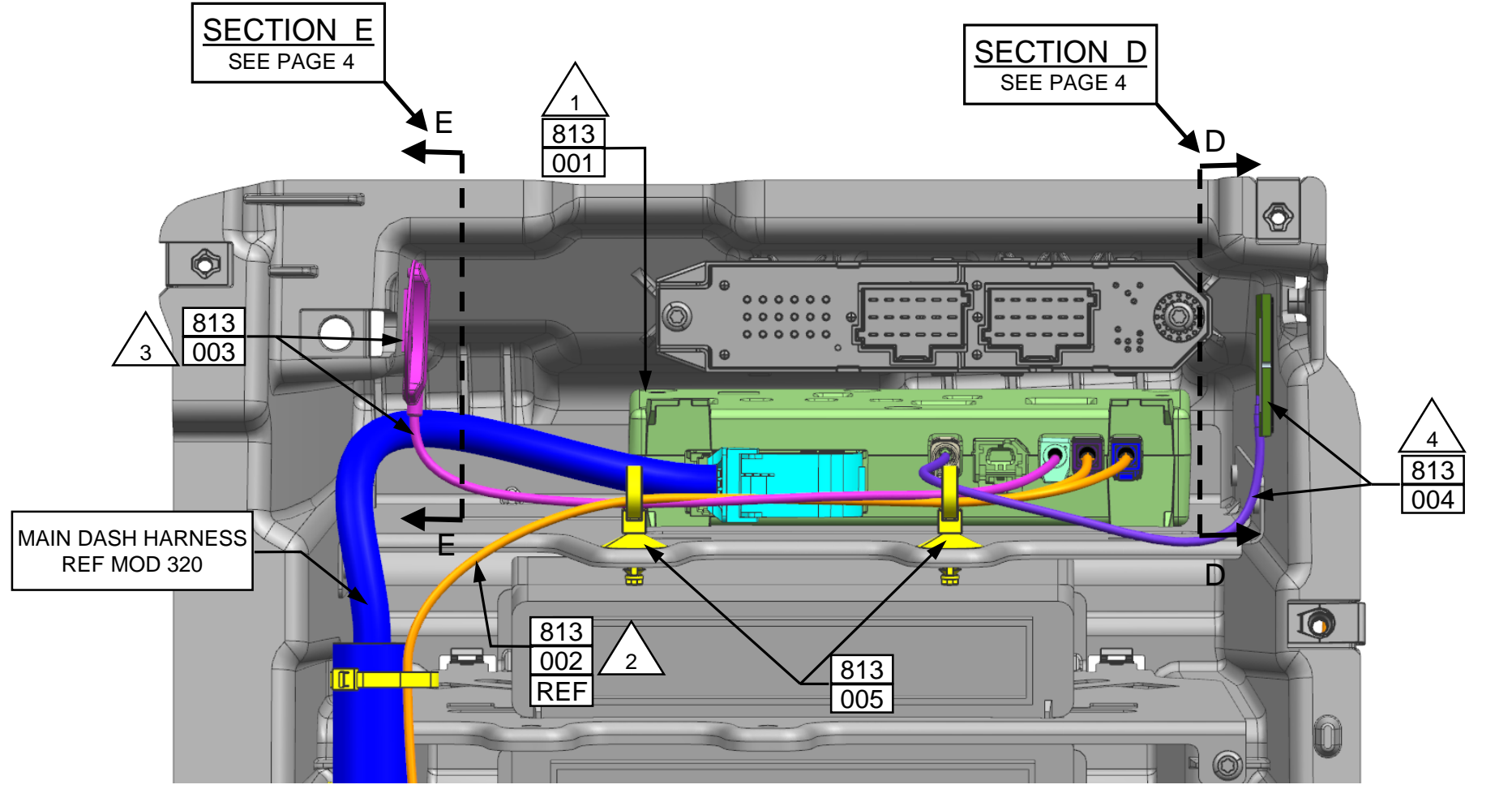
-000 ISO VIEW

D66-14943-000 INSTL,DRCDG,CTP,DASH,FPT	<b>DAIMLER</b>		Daimler Trucks North America	
	THE INFORMATION CONTAINED HEREIN IS PROPRIETARY DATA, AND IS NOT FOR DISSEMINATION OR DISCLOSURE, IN WHOLE OR IN PART, FOR ANY PURPOSE OTHER THAN THAT FOR WHICH IT IS SUBMITTED, EXCEPT AS AUTHORIZED IN WRITING BY DAIMLER TRUCKS NORTH AMERICA LLC (DTNA)			
	MATERIAL APPROVAL N/A	DATE N/A	UNLESS OTHERWISE NOTED, DIMENSIONS AND TOLERANCES ARE DEFINED ACCORDING TO ASME Y14.5M- 1994, WITH EXCEPTION PER DTNA 09ENG-WI037	
	DRAWN BY L.TRAN	DATE 07/31/18		
	CHECKED BY R.NELSON	DATE 07/31/18		
RESPONSIBLE ENGINEER C.JOHNSON	DATE 07/31/18			
APPROVED BY A.SHINKLE	DATE 07/31/18			
DESCRIPTION DWG-INSTL,DRCDG,CTP,DASH,FPT		THIRD ANGLE PROJECTION	UNITS OF MEASURE MM	
SUPPLEMENTAL DESCRIPTION 813A1				
ITEM/DRAWING NUMBER <b>D66-14943</b>	REVISION LETTER -	PAGE 1 of 4		



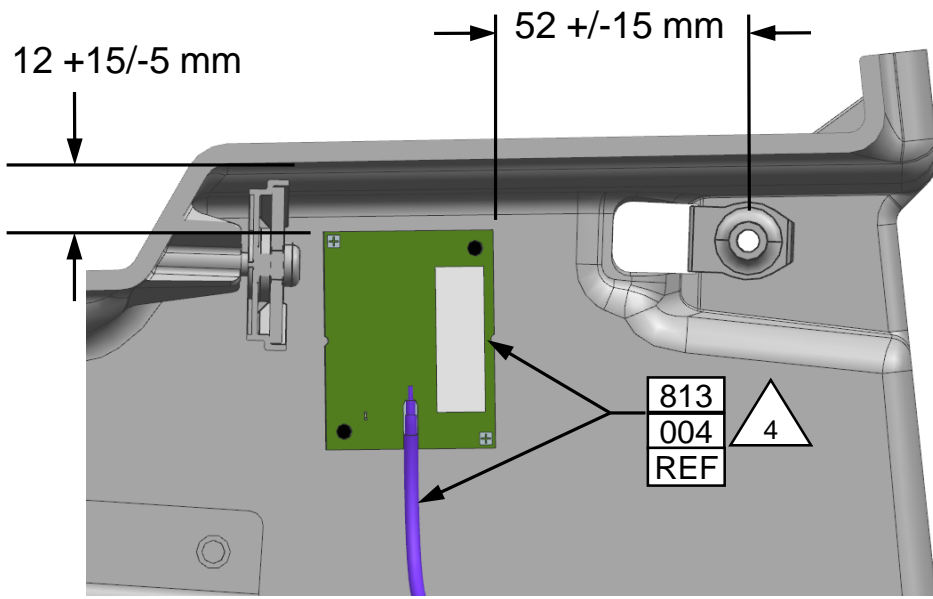
**SECTION E**  
SEE PAGE 4

**SECTION D**  
SEE PAGE 4

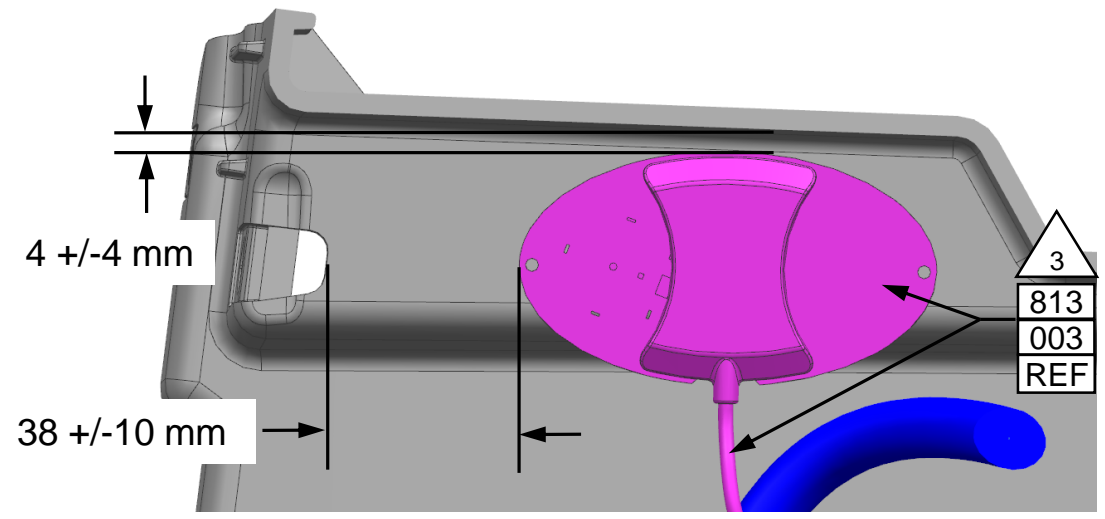


MAIN DASH HARNESS  
REF MOD 320

**VIEW C**  
ECU INSTALLATION



**SECTION D**  
WIFI ANTENNA INSTALLATION



**SECTION E**  
4G CELL ANTENNA INSTALLATION