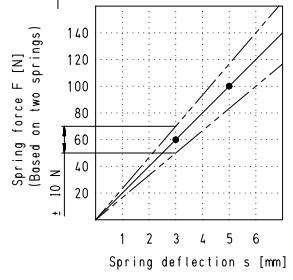
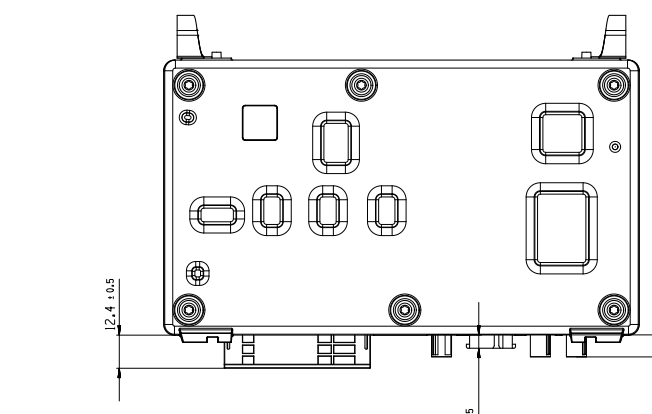
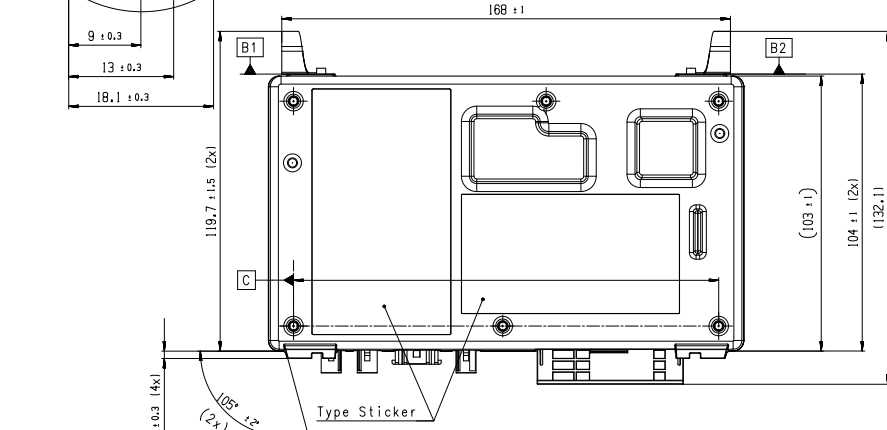


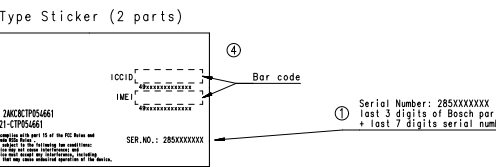
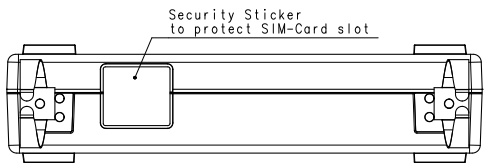
Receptor Pins	Function
1	KL.30 (UBAT)
2	KL.30 (UBAT)
3	CAN3_GND
4	CAN3_L
5	KL.15 (IGNITION)
6	CAN1_GND
7	CAN1_GND
8	DIGITAL_IN4_GND
9	DIGITAL_IN3
10	LINE_OUT_GND
11	LINE_OUT_RIGHT
12	RS232_DTE_TXD
13	RS232_DTE_RXD
14	RS232_DTE_CTS
15	RS232_RTS
16	RS232_CTS
17	LS_SWITCH_2_GND
18	LS_SWITCH_2
19	KL.31 (GND_Z)
20	KL.31 (GND_Z)
21	CAN3_H
22	CAN2_GND
23	CAN2_GND
24	CAN1_H
25	DIGITAL_IN5_GND
26	DIGITAL_IN3
27	DIGITAL_IN2_GND
28	DIGITAL_IN1
29	LINE_OUT_LEFT
30	VOLTAGE_MEASURE_GND
31	RS232_DTE_RTS
32	RS232_DTE_DTR
33	RS232_RXD_IN
34	RS232_TXD_OUT
35	LS_SWITCH_1_GND
36	LS_SWITCH_1
37	KL.31 (GND_Z)
38	KL.31 (GND_Z)
39	CAN3_GND
40	CAN2_H
41	CAN2_L
42	CAN1_L
43	DIGITAL_IN5
44	DIGITAL_IN3_GND
45	DIGITAL_IN2
46	DIGITAL_IN1_GND
47	VOLTAGE_MEASURE
48	RS232_DTE_DSR
49	RS232_DTE_DCD
50	RS232_DTE_RI
51	RS232_DTE_GND
52	RS232_GND
53	K_LINE
54	AUDIO_MUTE



MATERIALS
COVER: GD AISi9Cu3 DIN 1706 or ADC 12 lead free
BASE PLATE: GD AISi9Cu3 DIN 1706 or ADC 12 lead free
SPRING: DIN EN 10088 1.4310 (X10CrNi18-8 K1)
SCREW: DIN 10263, 1.5525, Plating: Zn-Ni
CONNECTORS: Main-Connector: Company: Tyco, Housing: PA46-GF30, Contacts: CuFe2P and CuMg0.1 / Plating Sn over Ni, Company: Molex, Housing SPS, glass filled, Contacts: Copper alloy / Plating: Au over Ni, Shell: Copper alloy / Plating: Tin over Ni, Fakra-Connectors: Company: Rosenberger, Housing: PA 6T/66, Dielectric: PA 6T/66, Center contact: Brass / Plating: AuroDur®, gold plated, Outer contact: Zinc alloy / Plating Tin over Ni

Nominal voltage: 12V or 24V
Test voltage: 24V
Operating voltage: 10.8V to 31.2V
Operating temperature: -40°C to 60°C (full operation, see also CTP-4958, CTP-3856)
Operating temperature: 60°C to 75°C (limited operation, CAN alive until components are at max. temp. of 85°C)
Storage temperature: -40°C to 85°C
Type of protection: IP30 in accordance with DIN EN 60529 (applies for the connectors), IP31 in accordance with DIN EN 60529 (excluded the connectors but with possibly refurbishment for further use)

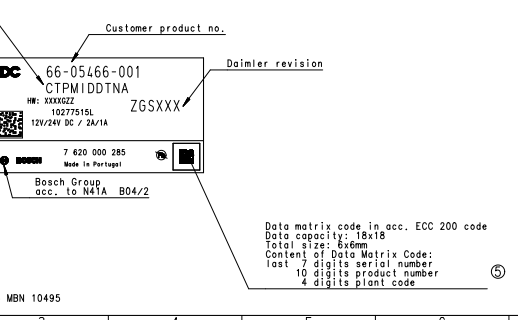
Weight ca.: 650g
 Set shown without package. This drawing gives only the most essential mounting measures. The given tolerances are for acceptance purposes. The addition of tolerances given in the part drawings result if applicable in other values.



Hardware Version ④
 Hardware index:
 XXXX - pcb insertion variant
 ZZZ - drawing index
 000000000 - Free for supplier marking

Data matrix code in acc. ECC 200
 10004464560YDDCCCCC1HHZZ00000000 with
 YY - Year
 DDD - Production day
 CCCC - Serial no.
 HH - Production line
 ZZ - Plant marking (01 for Braga) ⑤
 000000000 - Free for supplier marking

Label according to MBN 10435
Data Matrix Code (DMC) content according to MBN 10495



Data matrix code in acc. ECC 200 code
 Serial no.: 18x18
 Total size: 8x8mm
 Content of Data Matrix Code:
 last 7 digits serial number
 10 digits product number
 4 digits plant code

The base plane "A" to be determined with 4 points

06	A2-9508_16	20170104	cpz/hi	vr/igen	-	2170	CM-C13/END	-
05	A2-9508_14	20161218	cpz/hi	vr/igen	-	2170	CM-C13/END	-
04	A2-9508_09	20161118	hi/hi	vr/igen	-	2170	CM-C13/END	-
00	---	20160427	cpz/hi	vr/igen	-	2170	CM-C13/END	-

Treatment/Behandlung: _____
Material/Struktur: _____
Lang./Sprache/Ref: _____
Druck/Scale/Vergrößerung: _____
Werkstoff: _____
Größe/Size: _____
Werkstoff: _____
Druck/Scale/Vergrößerung: _____
Werkstoff: _____
Größe/Size: _____

BOSCH
 CONTROL UNIT
 STEUERGERÄT
 Doc. Type: TKU
 Part No.: 7 620 000 285 EA
 N 285-1
 Date: 09/10
 Version: 000106
 Scale: 1:1
 Unit: UP