

PHOENIX TEST-LAB GmbH  
Königswinkel 10  
D 32825 Blomberg

Date: 06.01.2017

FCC ID: 2AKC8CTP054661  
IC: 22221- CTP054661  
CTPMIDDTNA

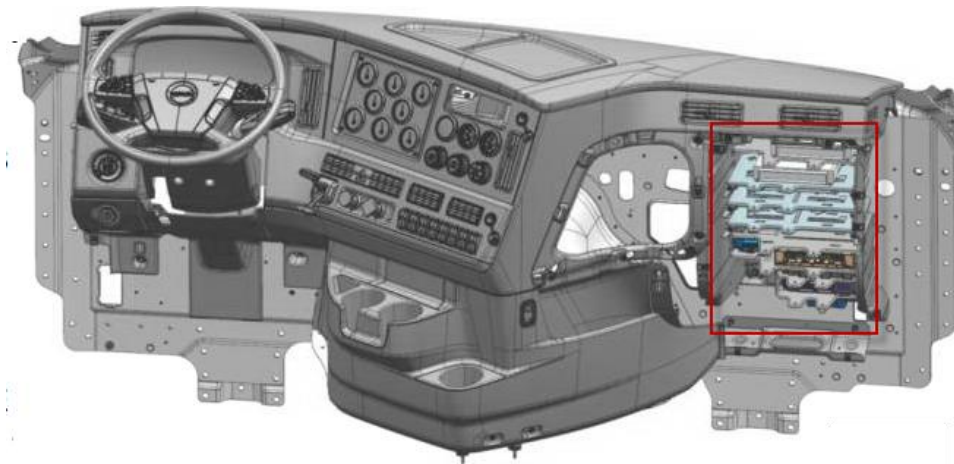
**Subject: Compliance Statement in Users Manual**

Dear Sirs,

Our products with the above certification numbers are marketed together with trucks, the user has no access to the labelling of the device.

We hereby assure that the label information and the following information is included in a prominent location of the owner's manual of the trucks:

The title "**CAUTION TO USERS**" or "**FCC/ISED WARNING**": "**NOTE**" or relevant title and relevant position information:  
**Device label information could be found at the following device position:**



Yours sincerely,

Yours sincerely,



B. Sc. Uwe DOLLITZ  
Graduated Certification Specialist  
PHOENIX TESTLAB GmbH