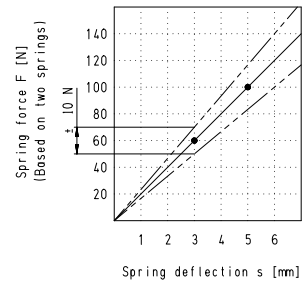


| Receptor Pins | Function |
|---------------|---------------------|
| 1 | KL_30 (UBAT) |
| 2 | KL_30 (UBAT) |
| 3 | not connected |
| 4 | not connected |
| 5 | KL_15 (IGNITION) |
| 6 | CAN1_GND |
| 7 | CAN1_GND |
| 8 | DIGITAL_IN4_GND |
| 9 | DIGITAL_IN3 |
| 10 | not connected |
| 11 | not connected |
| 12 | not connected |
| 13 | not connected |
| 14 | not connected |
| 15 | not connected |
| 16 | not connected |
| 17 | LS_SWITCH_2_GND |
| 18 | LS_SWITCH_2 |
| 19 | KL_31 (GND_Z) |
| 20 | KL_31 (GND_Z) |
| 21 | not connected |
| 22 | CAN2_GND |
| 23 | CAN2_GND |
| 24 | CAN1_H |
| 25 | DIGITAL_IN5_GND |
| 26 | DIGITAL_IN3 |
| 27 | DIGITAL_IN2_GND |
| 28 | DIGITAL_IN1 |
| 29 | not connected |
| 30 | VOLTAGE_MEASURE_GND |
| 31 | not connected |
| 32 | not connected |
| 33 | not connected |
| 34 | not connected |
| 35 | LS_SWITCH_1_GND |
| 36 | LS_SWITCH_1 |
| 37 | KL_31 (GND_Z) |
| 38 | KL_31 (GND_Z) |
| 39 | not connected |
| 40 | CAN2_H |
| 41 | CAN2_L |
| 42 | CAN1_L |
| 43 | DIGITAL_IN5 |
| 44 | DIGITAL_IN3_GND |
| 45 | DIGITAL_IN2 |
| 46 | DIGITAL_IN1_GND |
| 47 | VOLTAGE_MEASURE |
| 48 | not connected |
| 49 | not connected |
| 50 | not connected |
| 51 | not connected |
| 52 | not connected |
| 53 | not connected |
| 54 | not connected |



MATERIALS
COVER: GD AISi9Cu3 DIN 1706 or ADC 12 lead free
BASE PLATE: GD AISi9Cu3 DIN 1706 or ADC 12 lead free

SPRING: DIN EN 10088 1.4310 (X10CrNi18-8 K1)

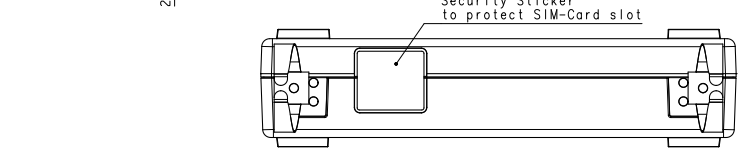
SCREW: DIN 10263, 1.5525, Plating: Zn-Ni

CONNECTORS: Main-Connector: Company: Tyco
Housing: PA46-GF30
Contacts: CuFe2P and CuMg0.1 / Plating Sn over Ni
USB-Connector: Company: Molex
Housing SPS, glass filled
Contacts: Copper alloy / Plating: Au over Ni
Shell: Copper alloy / Plating: Tin over Ni
Fakra-Connectors: Company: Rosenberger
Housing: PA 6T/66
Dielectric: PA 6T/66
Center contact: Brass / Plating: AuroDur® gold plated
Outer contact: Zinc alloy / Plating Tin over Ni

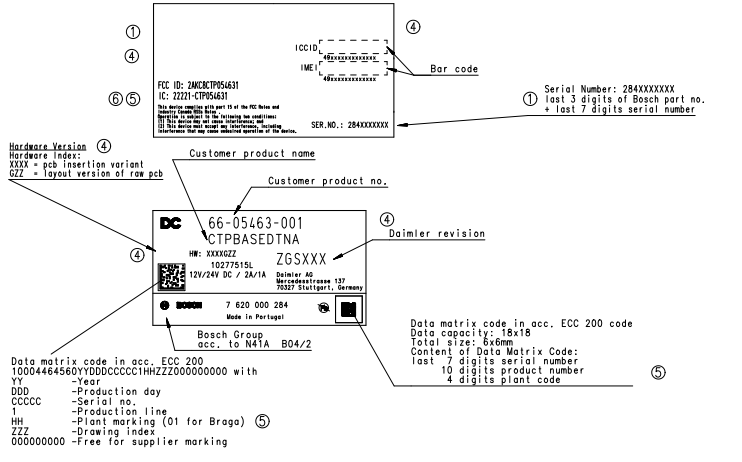
Nominal voltage: 12V or 24V
Test voltage: 24V
Operating temperature: -40°C to 60°C (full operation, see also CTP-4958, CTP-3856)
Operating temperature: 60°C to 75°C (limited operation, CAN alive until components are at max. temp. of 85°C)
Storage temperature: -40°C to 85°C
Type of protection: IP30 in accordance with DIN EN 60529 (applies for the connectors), IP31 in accordance with DIN EN 60529 (excluded the connectors but with possibly refurbishment for further use)

Weight ca.: 640g

Set shown without package
This drawing gives only the most essential mounting measures.
The given tolerances are for acceptance purposes
The addition of tolerances given in the part drawings result if applicable in other values.



Type Sticker (2 parts)



The base plane *A* to be determined with 4 points

Size acc. to / Norm nach ISO 14405-1:2010-12 envelope principle/Hueltprinzip

| Lang./Spr. | Part No. | Rev. | Release Date | Release Date | Release Date | Release Date | Release Date | Release Date | Release Date |
|------------|------------|----------|--------------|--------------|--------------|--------------|--------------|--------------|--------------|
| 06 | A2-9508-16 | 20170104 | cpe2hi | vriegen | - | 2170 | CM-C13/END | - | - |
| 05 | A2-9508-14 | 20161218 | cpe2hi | vriegen | - | 2170 | CM-C13/END | - | - |
| 04 | A2-9508-09 | 20161118 | bischi | vriegen | - | 2170 | CM-C13/END | - | - |
| 00 | --- | 20160427 | cpe2hi | vriegen | - | 2170 | CM-C13/END | - | - |

Treatment:
 Material:
 Drawing:
 Scale:
 Date:
 Drawn by:
 Checked by:
 Released by:
 Date:
 Drawn by:
 Checked by:
 Released by:
 Date:
 Drawn by:
 Checked by:
 Released by:
 Date:

Part No.: 7 620 000 284 EA
 Description: CONNECTING DEVICE ANSCHLUSSBAUEI
 Drawing: 1/1
 Date: 20170104
 Scale: 1:1
 Drawn by: TKU
 Checked by:
 Released by:
 Date: