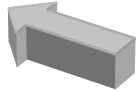
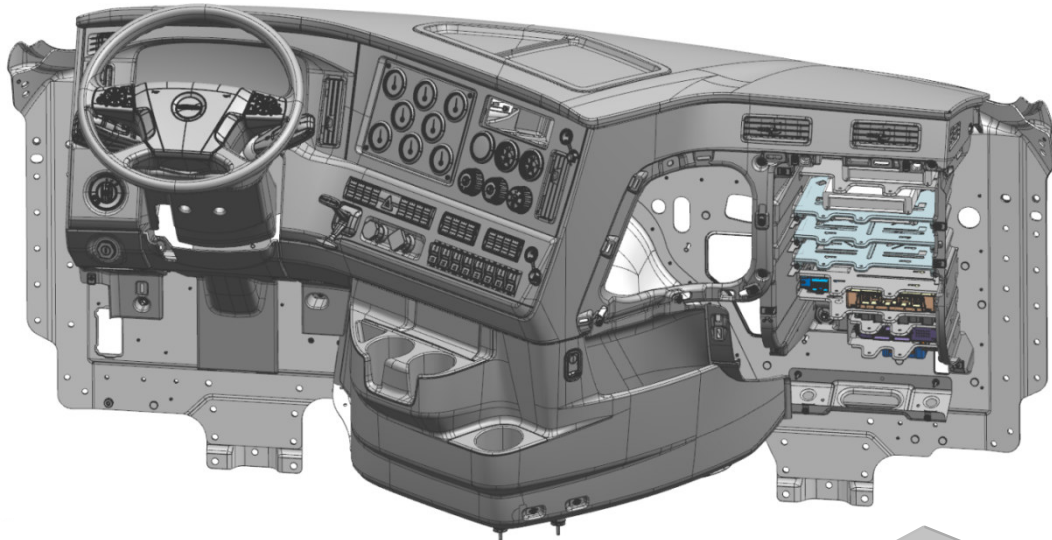


RELEASE NUMBER	REV LTR	REVISION DESCRIPTION	BY	DATE	APPD
P47372-06	-	INITIAL RELEASE	RCN	11/07/15	RPW



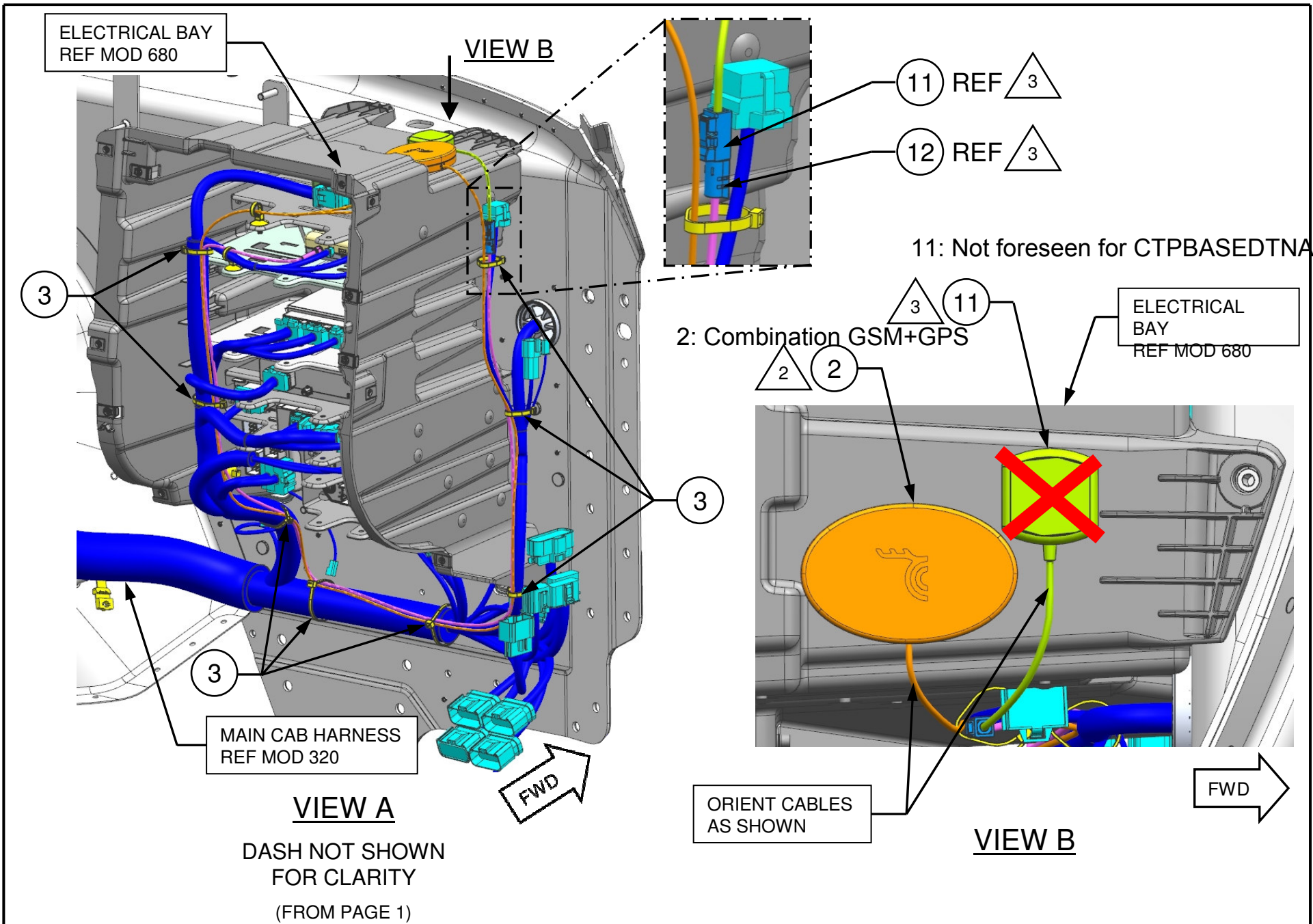
VIEW A
SEE PAGE 2

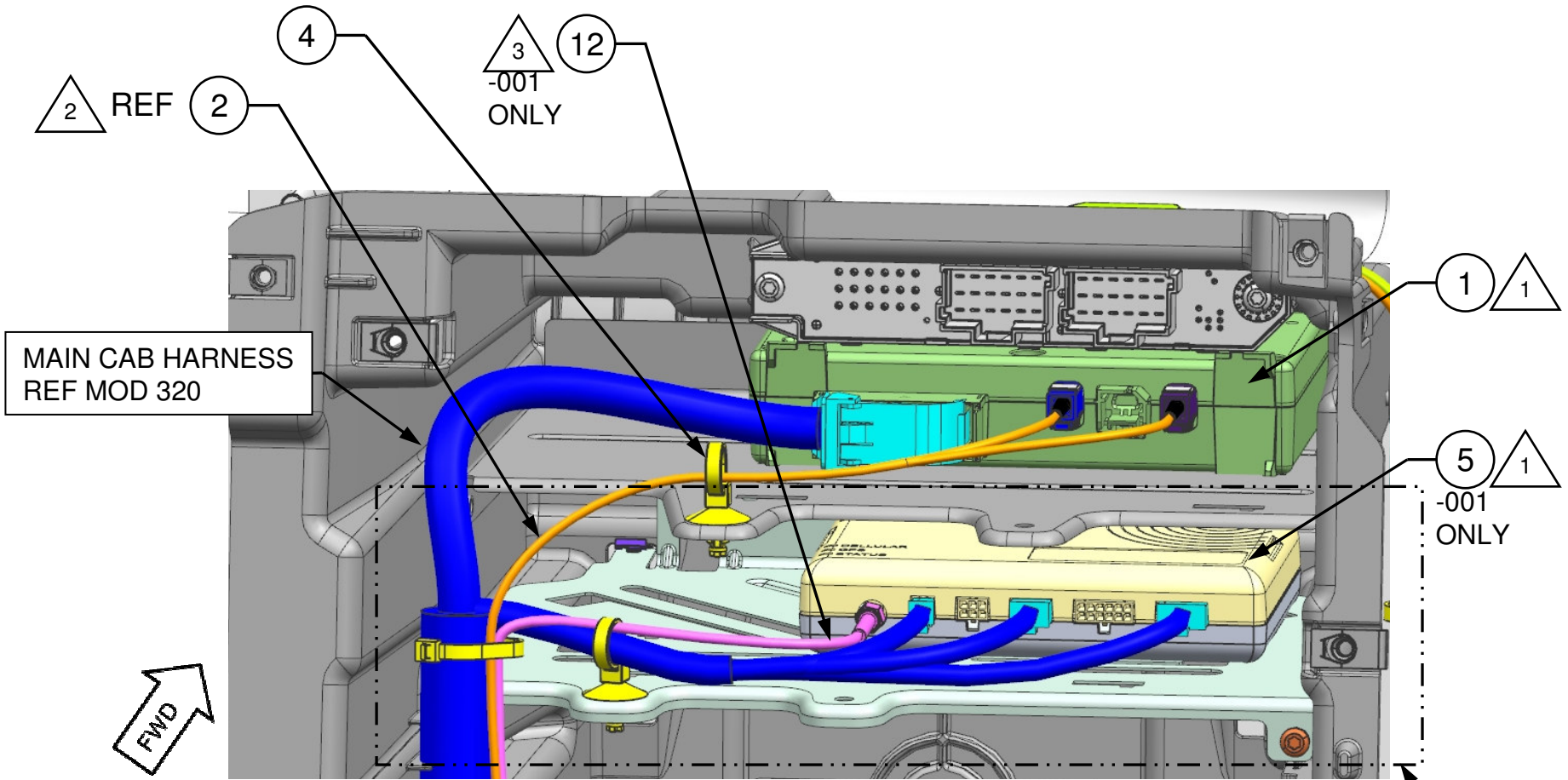


VIEW C
SEE PAGE 3

1. TO INSTALL: SLIDE THE MODULE FORWARD ON THE DESIGNATED SHELF UNTIL THE REAR SPRING CLIPS ARE COMPRESSED. THEN, LOCK THE 2 TABS OF THE MODULE INTO THE 2 SLOTS IN THE SHELF. CHECK TO MAKE SURE THE TABS ARE FULLY ENGAGED IN THE SHELF.
2. ATTACH ANTENNA (ITEM 2) TO THE TOP OF THE ELECTRICAL BAY HOUSING USING THE INCLUDED FOAM TAPE. ROUTE ANTENNA PIGTAIL TO THE CTP MODULE (ITEM 1), FOLLOWING THE MAIN CAB HARNESS PATH. SECURE PIGTAIL USING TIE STRAPS (ITEM 3).
3. ATTACH ANTENNA (ITEM 11) TO THE TOP OF THE ELECTRICAL BAY HOUSING USING THE INCLUDED FOAM TAPE. CONNECT ANTENNA PIGTAIL TO THE ANTENNA EXTENTION CABLE (ITEM 12). ROUTE EXTENTION CABLE TO THE VT MODULE (ITEM 5), FOLLOWING THE MAIN CAB HARNESS PATH. SECURE CABLE USING TIE STRAPS (ITEM 3).
4. MOUNT VIRTUAL TECHNICIAN ECU MODULE (ITEM 5) TO MOUNTING BRACKET (ITEM 6), WITH HOOK AND LOOP TAPE (ITEMS 7 & 8) AS SHOWN.
5. TORQUE SCREW TO 15 +/- 4 in-lbs.

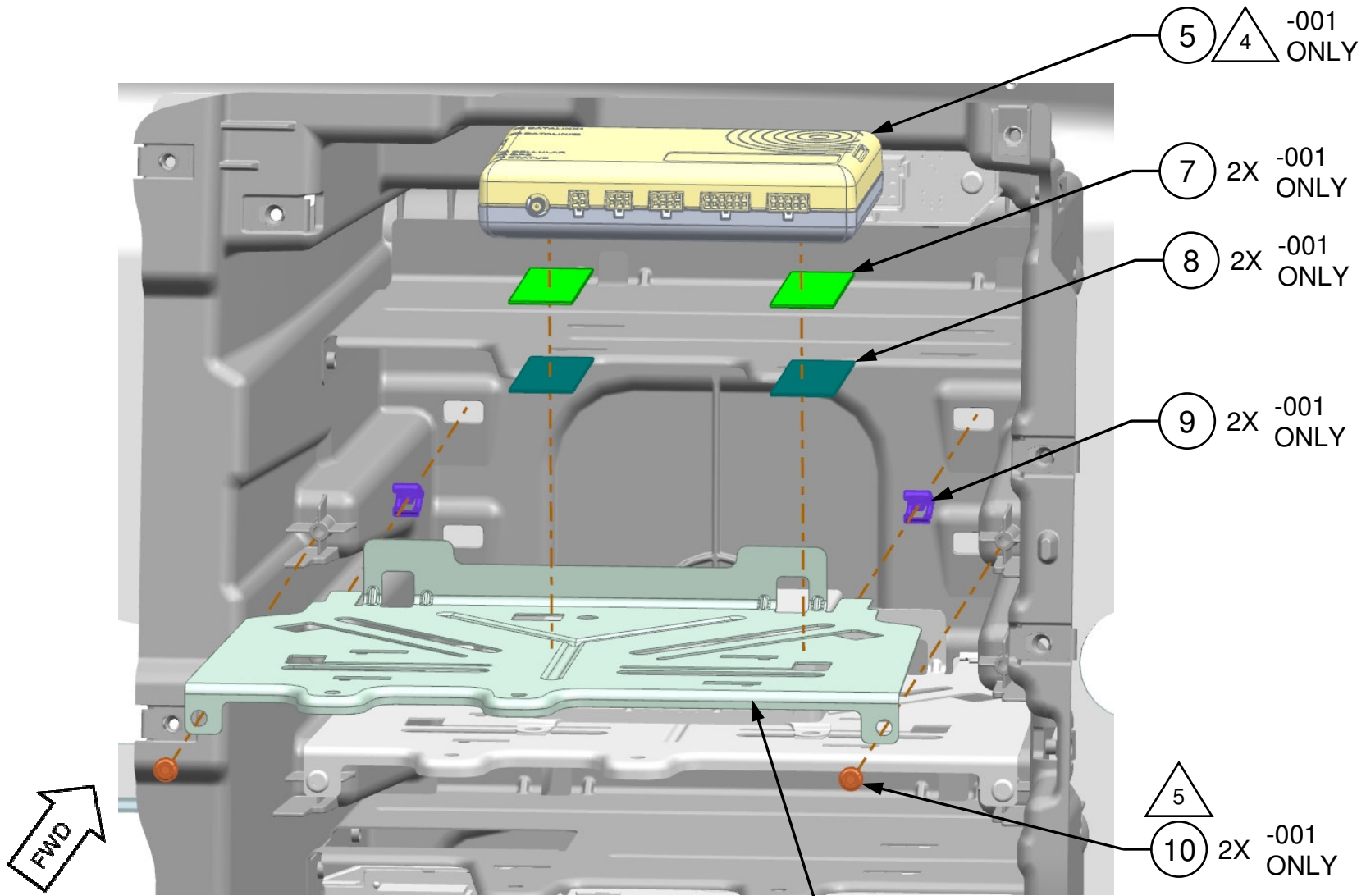
ITEM NUMBER D66-05498-001	DESCRIPTION INSTL-CTP.BASE.VT.HIRSH ANT.FPT	ITEM NUMBER D66-05498-000	DESCRIPTION INSTL-CTP.BASE.HIRSH ANT.FPT	DAIMLER		Daimler Trucks North America			
				THE INFORMATION CONTAINED HEREIN IS PROPRIETARY DATA, AND IS NOT FOR DISSEMINATION OR DISCLOSURE, IN WHOLE OR IN PART, FOR ANY PURPOSE OTHER THAN THAT FOR WHICH IT IS SUBMITTED, EXCEPT AS AUTHORIZED IN WRITING BY DAIMLER TRUCKS NORTH AMERICA LLC (DTNA)					
				MATERIAL APPROVAL N/A		DATE N/A		UNLESS OTHERWISE NOTED, DIMENSIONS AND TOLERANCES ARE DEFINED ACCORDING TO ASME Y14.5M-1994, WITH EXCEPTION PER DTNA 09ENG-WI037	
				DRAWN BY R.NELSON		DATE 11/07/15			
CHECKED BY R.WEBER		DATE 11/07/15							
RESPONSIBLE ENGINEER R.NELSON		DATE 11/07/15							
APPROVED BY R.WEBER		DATE 11/07/15		THIRD ANGLE PROJECTION		UNITS OF MEASURE MM			
DESCRIPTION INSTL-DRCDG,COM TELEMATICS,BASE									
SUPPLEMENTAL DESCRIPTION 813A1 CTP, VT FPT									
ITEM/DRAWING NUMBER D66-05498						REVISION LETTER -			
						PAGE 1 of 4			





VIEW C
ECU INSTALLATION
 (FROM PAGE1)

DETAIL D
 -001 ONLY
 SEE PAGE 4



DETAIL D
 -001 ONLY
 VIRTUAL TECHNICIAN
 EXPLODED VIEW
 (FROM PAGE 3)