



4500



markem·imaje

a DOVER company

Safety and important information	EN	2
Sécurité et informations importantes	FR	6
Información de seguridad e información importante	ES	10
Sicherheitsinformationen und wichtige Hinweise	DE	14
Informazioni sulla sicurezza e altre informazioni importanti	IT	19
Informações Importantes e Sobre Segurança	PT	23
Veiligheidsinformatie en belangrijke informatie	NL	27
Information om säkerhet och annan viktig information	SV	32
Turvallisuus ja tärkeitä tietoja	FI	36
Sikkerhedsoplysninger og vigtige oplysninger	DA	40
Biztonsági és fontos tudnivalók	HU	44
Informacje o bezpieczeństwie i ważne uwagi	PL	48
Informacije o varnosti in pomembne informacije	SL	53
Informace o bezpečnosti a důležitá sdělení	CS	56
Πληροφορίες για την ασφάλεια και σημαντικές πληροφορίες	EL	60
Информация за безопасността и важна информация	BG	65
Informācija par drošību un cita svarīga informācija	LV	70
Darbo saugos ir kita svarbi informacija	LT	73
Informácie o bezpečnosti a dôležité informácie	SK	77
Ohutusteave ja oluline teave	ET	82
Informații cu privire la siguranță și alte informații importante	RO	86
Sigurnost i važne informacije	HR	90
Güvenlik ve Önemli Bilgiler	TR	94



ZH-JA-KO-TH-TW-VN-
NO-RU-ID-AR-HE



Keep this information to hand so you can refer back to it at a later date.

■ Important note

The **instruction manual** provides information on the printer description, its start-up and shutdown, printing and message modification as well as first-level maintenance and troubleshooting.

The **instruction manual** is accessible in PDF format from the DVD supplied with your printer.

The **user manual** that lists all of the features is also available in PDF format from the DVD supplied with your printer.

■ UE DECLARATION OF CONFORMITY (translation)

MARKEM-IMAJE INDUSTRIES
9 Rue Gaspard Monge, BP 110
26500 Bourg Les Valence Cedex, France
ensures that the DOD equipment referenced below:

Serial no.:

Software Version:

is in accordance with European directives applicable DOD equipment that is to say:

- with the machines directive 2006/42/EC and with the relevant European standards: ISO13849-1: 2015, EN 12100: 2010.

- with the RED directive 2014/53/EU and with the relevant European standards,

The notified body LCIE N° 0081 carried out the work on the radio part and issued the EU-type certificate.

EN 61000-6-2, 2005, EN 61000-6-4, 2007 + A1 2011, EN55022: 2010, EN61000-3-2: 2014, EN61000-3-3: 2013, ETSI 301 489-1 V2.1.1, EN 50364 2010, EN 62369-1, 2009, EN60950-1: 2006 + A11: 2009 + A1: 2010 + A12: 2011 + A2: 2013

The above referenced equipment bears the CE marking.

Bourg-lès-Valence, June 13th, 2017

The authorized person to write this declaration and to compile the relevant technical file residing in the Community.

Dominique Chanut
Regulatory Compliance Manager Markem-Imaje Industries

This document was originally written in French.

■ Safety

Before using this printer, please read and fully comply with these instructions, the material safety data sheet (MSDS) for consumables used, and safety labels affixed to the printer.

Servicing must be performed only by qualified people who are appropriately trained.

This printer has been designed for reliable use in good safety conditions. However, this safety depends on being aware of and respecting a number of usage rules and taking certain precautions.

- The device can only print onto objects whose temperature at the time of printing is above 100°C.
- Do not expose the printer to dirt, or high levels of dust or humidity.
- The equipment should only be used by appropriately trained staff. We recommend that the device is supervised whilst in use.
- To clean the device do not use plastic basins which easily become electrified, use metal basins instead.
- To cut off the power supply, remove the plug from the power outlet.

■ Statements for China



This symbol means that the printer is intended for use only at altitudes not higher than 2000 m above sea level.

仅适用于海拔 2000m 以下地区安全使用



This symbol means that the printer is intended for use in non-tropical conditions.

仅适用于非热带气候条件下安全使用

■ Liability

Markem-Imaje shall not be liable for any damage or injury resulting from any failure to follow these safety instructions, as well as good manufacturing practices and safety standards that are generally applicable in the industry, when installing, using or servicing Markem-Imaje equipment.

Any user who modifies or repairs Markem-Imaje equipment, uses consumables, spare parts or accessories other than those supplied by Markem-Imaje, or fails to comply with Markem-Imaje specifications shall have sole responsibility for the consequences thereof.

Markem-Imaje shall not be liable for any malfunction or damage caused by any modification of the equipment or use of the equipment for any purposes other than those for which it is designed. The user shall be solely responsible for taking any

precautions required by any use to which the user puts the Markem-Imaje equipment.

Markem-Imaje consumables (inks, cleaning products and other consumables), spare parts and accessories are designed for use with Markem-Imaje equipment.

Use of consumables, spare parts or accessories, that are not produced or recommended by Markem-Imaje for use with the specific Markem-Imaje equipment may harm the equipment and cause performance failures.

Because Markem-Imaje equipment is tested with Markem-Imaje consumables and spare parts for conformity with certain regulations and safety standards, use of non-Markem-Imaje consumables and spare parts also may be inconsistent with testing conditions and affect compliance of the equipment with certain standards. The user shall bear all risks associated with use of unsuitable consumables and spare parts.

This equipment is certified in accordance with the requirements for CE marking.

■ Health / Hygiene / Environment



For certain consumables:

- Wearing contact lenses when handling these consumables is strictly prohibited.
- Ink-resistant gloves and safety goggles are recommended during cleaning operation.
- All chemical products, including ink, can be dangerous and should be handled with care.

Max. noise level	< 70 dbA
Operating temperature	+5°C to +45°C (+41°F to +113°F)
Humidity	10 - 90% RH with no condensation

The use of certain inks may limit the temperature and humidity ranges (see the ink specification sheet).

This equipment cannot be used in EEx environments (explosion-risk environments).

■ Statement for service personnel

Power Supply Unit



CAUTION DOUBLE POLE/
NEUTRAL FUSING

The power supply unit has two unreplaceable fuses F01, F02 on inner PWB, which are labelled as follows:

250V, T3.15AL.



The fuses must not be replaced and/or repaired by the user or service personnel. The power supply is a throw-away unit, when damaged. To repair, the power supply unit has to be returned to the manufacturing facility.

■ Accident procedure

In case of an ink leak, soak up the ink with an absorbent cloth and dispose of it in accordance with the fire prevention measures and hygiene and occupational safety rules. Immediately remove any clothing which has come into contact with the ink.

In case of eye or skin irritation:

- Eyes: rinse under running water for 15 minutes then contact an eye specialist,
- Skin: wash with soap and water.

■ Fire prevention

Read the ink and the used solvent data sheets carefully. In case of inflammable ink or solvent use:

- Never leave containers containing ink, additive or cleaning products, or ink-soaked rags (even dry) near the printer.
- Install a foam, CO2 or powder extinguisher immediately adjacent to the printer (maximum 10 meters).
- Never smoke near the printer. Affix a sign «NO SMOKING, FLAMMABLE INK» near the printer.
- Drums of ink, additive and cleaning solution must be closed and stored in a ventilated room.
- If you are using inflammable inks, keep the ink tank a minimum of 0.5m away from electrical facilities or sources of sparks or flames. When replacing ink tanks containing inflammable ink, maintain a minimum distance of 1m between the ink tank and all electrical equipment around or above the tank, and a minimum distance of 3m between the ink tank and all electrical equipment below the tank.
- If you are using inflammable inks, keep the print head a minimum of 2m away from electrical facilities or sources of sparks or flames.

■ Handling

Printer weight* ≈ 4.50Kg (9,92lbs)

*Without option, without ink

The printer may be transported in all positions. Take care not to damage the nozzle plate and the terminal screen during transportation.

■ Storage

Store the printer in a dry place in its original packaging.

Consumables storage temperature	0°C to 50°C (32°F to 122°F)
---------------------------------	--------------------------------

The device can be stored for up to 3 months with ink in its circuit. If the storage period exceeds 3 months, the ink must be drained and the circuit should be filled with a suitable diluent.

■ Installation

Any person modifying the installation shall be wholly liable for such modifications.

The printer must be installed in a ventilated location, away from any source of heat, flames or sparks.

The printer must be assembled using the mounting parts provided.

The printer must be connected to a power supply which conforms to the information on the rated voltage label. If you are unsure about the type of power supply available, contact the Markem-Imaje customer service department.

The printer is fitted with a male socket with a ground wire. This is a safety feature. If the male socket is not compatible with the female socket, it must be replaced by a licensed electrician.

We do not recommend using an extension.

No cable, including the power cord, should be subject to mechanical stress.

Do not position the printer in an area where the cables may be subject to mechanical stress.

Ensure that the lighting in the area in which the device is installed conforms to local regulations.

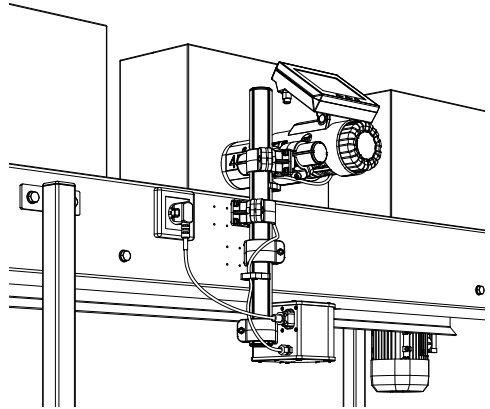
The printer installation on the production line must not generate any risks for staff.

The electrical and pneumatic installations upline of the printer must comply with applicable regulations.

Ensure that the operators and staff responsible for maintenance have adequate space to carry out their work.

Further information regarding installation is available in the instructions provided with the printer.

The following drawing illustrates how to install the printer on a conveyor belt.



The printer is not fitted with a switch and as such it must be plugged into a power outlet which is close to the device and which is easily accessible.

■ Installation instructions and statement

IT power distribution systems

This printer has been designed for connection to an IT power distribution system.

Printer installation



Before use, the printer should be installed on a factory conveyor belt or another element that is firmly fixed to the ground, the wall or another stable building structure member.

■ Use

The printer is designed for contact-free printing by projecting ink. Any other use of the printer is prohibited, and any consequences shall be under the entire responsibility of the user.

■ Servicing

We recommend that maintenance work be carried out only by staff who have received technical training from Markem-Imaje and who have the appropriate personal protective equipment (safety shoes, glasses, gloves, etc.). Any maintenance work not described in this manual must be carried out by Markem-Imaje technicians.

Disconnect the printer from the mains before any operations requiring components to be removed or exchanged. Use appropriate tools for any work on the electrical and hydraulic circuits.

Never use sharp or pointed tools to clean the printer or replace the print head.

If the nozzle plate needs to be cleaned, rinse it with

an appropriate cleaning product (Markem-Imaje detergent). Never clean the nozzle plate with tools. Carefully dry the nozzle plate with a lint-free cloth. Keep contact with the nozzle plate to a minimum to avoid damaging it. The print head performance may be reduced if the surface of the nozzle plate is damaged.

Never point the print head at a person.

After each maintenance operation, the waste receptacles used should be emptied and cleaned. Do not leave rags soaked with consumables near the printer.

This unit contains a non-replaceable internal lithium ion battery. The battery may burst or explode, releasing hazardous chemicals. To reduce the risk of fire or burns, do not crush, puncture, or dispose of the battery in fire or water.

■ Recycling



Disposal of used batteries and rechargeable batteries (applicable in European Union countries and other European countries with selective waste collection systems).



Disposal of used electrical and electronic equipment (applicable in European Union countries and other European countries with selective waste collection systems).

These symbols indicate that the electrical and electronic device, and the batteries and rechargeable batteries therein, must not be disposed of at the end of its life as ordinary municipal solid waste. By ensuring that these items are disposed of appropriately, you play an active role in avoiding the harmful consequences that incorrect disposal could have on the environment and human health. The recycling of materials contributes to the preservation of natural resources.

By entrusting your end-of-life electrical devices to a duly authorized disposal company, you ensure that all the items therein will be handled correctly. In all other cases and in order to safely remove batteries, rechargeable batteries and other materials, see the user manual or contact your Markem-Imaje representative.

■ Waste consumables

The Consumable waste must be managed in compliance with local regulations related to waste management and dangerous goods transport.

Transport, transit, treatment of consumable waste

must be operated by entity owning appropriate waste management licences.

Consumable waste must be treated in compliance with local regulations either by recycling solution (e.g distillation), incineration with energy recovery, incineration or specific land filling.

■ FCC Rules

Caution: Changes or modifications not expressly approved by the party responsible for compliance could void the user's authority to operate the equipment.

NOTE: This equipment has been tested and found to comply with the limits for a Class A digital device, pursuant to Part 15 of the FCC Rules. These limits are designed to provide reasonable protection against harmful interference when the equipment is operated in a commercial environment. This equipment generates, uses, and can radiate radio frequency energy and, if not installed and used in accordance with the instruction manual, may cause harmful interference to radio communications. Operation of this equipment in a residential area is likely to cause harmful interference in which case the user will be required to correct the interference at his own expense.

For Canada :

Under Industry Canada regulations, this radio transmitter may only operate using an antenna of a type and maximum (or lesser) gain approved for the transmitter by Industry Canada.

To reduce potential radio interference to other users, the antenna type and its gain should be so chosen that the equivalent isotropically radiated power (e.i.r.p.) is not more than that necessary for successful communication.

This device complies with Industry Canada licence-exempt RSS standard(s). Operation is subject to the following two conditions: this device may not cause interference and this device must accept any interference, including interference that may cause undesired operation of the device.

For Marking & Coding Equipment. Photographs and drawings are not binding. This document was originally written in French. The French text of this document shall alone be authentic and shall prevail in the event of a dispute. Markem-Imaje reserves the right to modify the specifications of its products without prior notice. Any reproduction, even partial, of this document is prohibited. © 2017 Markem-Imaje All Rights Reserved.



markem·imaje

a **DOVER** company

Redefine the possiblesm

TSS - User Documentation

Markem-Imaje Industries
9, rue Gaspard Monge
B.P. 110
26501 Bourg-lès-Valence Cedex
France
Tél. : +33 (0)4 75 75 55 00
Fax : +33 (0)4 75 82 98 10
www.markem-imaje.com

09/2017 - AC



A50686