



**Annex acc. to FCC Title 47 CFR Part 15  
relating to  
EBS Ink-Jet Systems Poland Sp. z o. o.  
PH1600**

# **Annex no. 5 User Manual Functional Description**

**Title 47 - Telecommunication  
Part 15 - Radio Frequency Devices  
Subpart C – Intentional Radiators  
ANSI C63.4-2014  
ANSI C63.10-2013**



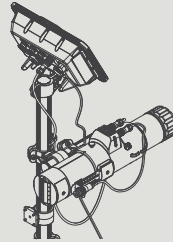
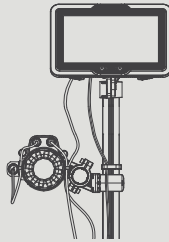
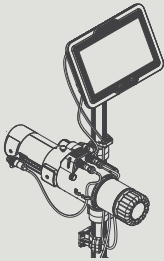
Deutsche  
Akkreditierungsstelle  
D-PL-12053-01-03

**User Manual / Functional Description of the test equipment (EUT)**

# PicAS<sup>®</sup> II EBS-1600

# SAFETY AND IMPORTANT INFORMATION

Industrial DROP-ON-DEMAND Printers



EN

## Safety and Important Information

(Original instructions)

There are icons on the device that indicate a warning of potential dangers and a reference to the instructions provided.



Before using the **PicAS® II** EBS-1600 printer, please read carefully the documentation that accompanies the printer as well as the data sheets for the consumables (MSDS) that have been or will be used.



This information brochure should be easily accessible and ready to use whenever the need to do so arises over the entire service life of the printer.

The product delivered to you corresponds to your specific order, and it may happen that the options and functionality of your printing system differ from some descriptions or illustrations. As we need to keep pace with new technological advancement and wish to meet individual requirements of our clients, we reserve the right to introduce changes in the design and construction as and when necessary. Therefore, no claims can be made regarding differences in data, illustrations or descriptions contained in the accompanying documentation. Should your printer be equipped with options or software that are not illustrated or described in the accompanying documentation or should you have additional queries after having read the documentation, please contact any **EBS Ink Jet Systeme** authorized representative for more information.

These instructions in the Polish and English languages are the original instructions. In case of disputes, these language versions shall prevail. The instructions in other languages are translation of the original instructions.

The printer is accompanied by the following documentation:

- **User Manual:** it contains a description of the printer, the information on how to switch it on and off, start/pause printing, prepare a proj-

ect for printing, set printing parameters, perform basic maintenance and fix problems, as well as the printer's technical data; the document is available in PDF format on a USB flash drive attached to the printer and also on the Web,

- **Basic User Manual:** it contains a basic description of the printer, the information on how to switch the printer on and off, start/pause printing, prepare a project for printing, perform basic maintenance and replace an ink bottle; the document is available in PDF format on a USB flash drive attached to the printer and also on the Web,
- **Safety and Important Information:** it contains any information that is necessary for safe installation, operation, transport and storage of the printer; the document is available in a printed paper copy supplied with the printer and in PDF format on a USB flash drive attached to the printer and also on the Web.

---

### DEFINITIONS

---

**Ordinary person:** any worker (different from an **instructed person**) who can operate the printer, have access to the printer or be near the printer.

**Instructed person:** a worker who has been instructed and trained by a **skilled person** or is supervised by a **skilled person**.

**Skilled person:** a member of the manufacturer's authorized service staff, who has specialist knowledge and experience in operating, maintaining and servicing printers.

---

### INTENDED USE OF THE PRINTER

---

The **PicAS® II** EBS-1600 printer is an industrial, ink-jet **DOD** (Drop-on-Demand) printer for touchless labeling of:

- objects moving (traveling, rotating) in front of the immovable printhead,
- immovable objects by means of a moving printhead (e.g. with a separate manipulator or robot).

**Any other application of the printer is forbidden.** The user shall be responsible for any consequences of an undesigned application.

## RESPONSIBILITY

**EBS Ink Jet System** shall not be liable for damage or personal injury that might occur during installation, operation or servicing of the **EBS Ink Jet System** printers due to the failure to follow safety provisions as well as the industry-wide good manufacturing practices and safety standards.

**EBS Ink Jet System** shall not be liable for any failure or damage caused by printer modifications or the application of the printer to purposes other than those for which it is intended. The user shall be responsible for taking any safety measures that are required each time the **EBS Ink Jet System** printers are used.

The **EBS Ink Jet System** consumables, spare parts, accessories and cabling, hereinafter referred to as components, are designed for operation with the **EBS Ink Jet System** printers and they are tested together with these printers according to the relevant regulations and safety standards.

The application of components that are not manufactured by **EBS Ink Jet System** or are not recommended by the firm for use in a particular printer may be inconsistent with the testing conditions and may affect the printer's compliance with certain standards. The use of such components may impair specified printer parameters, properties or performance, cause incorrect printer operation or lead to printer damage, and it will void any warranty claims.

Every user who modifies or repairs the **EBS Ink Jet System** printers using components different than those supplied by **EBS Ink Jet System** or whose specifications vary from **EBS Ink Jet System** specifications, shall be aware that they do this on their own responsibility and therefore shall not be entitled to make claims under the terms and conditions of warranty.

This printer comes with CE marking, FCC, ISED certificates.

## EC DECLARATION OF CONFORMITY

The full text of the EC Declaration of Conformity is available at the client's request from **EBS Ink Jet System**'s authorized representatives.

## SAFETY RULES

This equipment is not suitable for use in locations where children are likely to be present.

The printer should be operated by **instructed persons**.

It is recommended that the printer be supervised during operation.

An **ordinary person** can only perform basic operations such as:

- Selecting project for printing,
- Starting/pausing printing,
- Replacing the ink bottle.

Any maintenance operations, including:

- Cleaning the nozzle plate,
- Tuning printing unit, and also
- Basic installation in accordance with **The User Manual**,
- Moving the printer into another place

can be performed by **instructed persons**.

Any service operations, including:

- Advance installation and removal of the printer,
- The operations that require that any protective covers of the printer be opened or removed

can be performed exclusively by **skilled persons**.

No efforts have been spared to design the printer diligently so that its operation is safe and reliable. However, the knowledge and observance of a few safety rules and precautions are the prerequisite for safe use of the printer.

- Do not print on objects whose temperature exceeds **100°C (212°F)** at the time of labeling.
- **Never** direct the printhead outlet towards persons or animals. Do not do that even if the printer is shut down.
- While performing any operations in the integrated printhead wear protective clothing, goggles and gloves that are resistant to wash-up/ink.
- While installing/replacing consumables be careful not to get splashed and not to make the printer or its surroundings dirty.
- **WARNING: Sharp elements!** While removing transport protection and also while installing/replacing



consumables be careful not to get wounded with the needle that is part of the consumable connection. **Do not touch the needle!** Avoid manipulations near the needle.

- Do not use plastic vessels for washing. Metal vessels or other vessels that do not collect electric charges are recommended.
- If you need to disconnect the supply voltage, remove the power plug from the mains outlet.
- Do not use the printer if it is not fully operational.



## HEALTH / HYGIENE / ENVIRONMENT

### IN CASE OF ACCIDENT

When ink spills, wipe the spilled liquid with absorbent material and dispose of it following the fire and health and safety at work regulations.

Take the splashed clothes off as soon as possible.

If eyes or skin get irritated:

- **EYES** need rinsing with running water over 15 minutes; then contact an ophthalmologist,
- **SKIN** needs washing with water and soap.

### HAZARDS IN THE WORKPLACE

Certain consumables require that contact lenses should not be worn.

While cleaning with wash-up, it is advisable to wear wash-up-resistant gloves and safety goggles.



*All chemicals - including inks - can be dangerous and therefore shall be handled with care.*

Maximum noise level emitted by the printer < 70 dBA.

## FIRE PREVENTION



*Follow strictly the instructions that are given in the data sheet (MSDS) for every type of ink and wash-up.*

The **PicAS® II** EBS-1600 -series printer prints with flammable inks whose physical and chemical properties are available in the relevant material safety data sheets (MSDS). A sheet contains the symbol, description, solvent base, min. boiling point, flash point and other properties of a given ink.

Place a fire extinguisher (designed for extinguishing electrical equipment and flammable wash-up fires) near the printer.



Do not print in the areas where an explosion hazard exists.

Do not use open flames or sparking devices in the printer work area.



Do not leave ink or wash-up in open containers.

Before coming near the printer or flammable liquids, touch a grounded metal object to dissipate the electric charge that could potentially have collected on your body.

Ensure good ventilation in the area where the printer is installed (especially near the print-head) and where consumables are stored.

If you are using inflammable inks, keep the ink bottle a minimum of **0.5 m (1.64 ft)** away from electrical facilities or sources of sparks or flames. When replacing ink bottle containing flammable ink, maintain a minimum distance of **1 m (3.28 ft)** between the ink bottle and all electrical equipment around or above the bottle, and a minimum distance of **3 m (9.84 ft)** between the ink bottle and all electrical equipment below the bottle.

If you are using flammable inks, keep the print head a minimum of **2 m (6.56 ft)** away from electrical facilities or sources of sparks or flames.

## RECYCLING

The waste consumables must be managed in compliance with the local waste management and hazardous materials transportation regulations.

## WORKING ENVIRONMENT

Operating temperature	+5°C ÷ +45°C (+41°F ÷ +113°F)
Humidity	10 ÷ 90% RH with no condensation
Maximum altitude (above sea level)	2000 m (6561 ft)

The use of certain inks may limit the temperature and humidity ranges (see the data sheet for a given ink).

## FCC RULES



*No changes shall be made to the equipment without the manufacturer's permission as this may void the user's authority to operate the equipment.*

This equipment has been tested and found to comply with the limits for a Class **A** digital device, pursuant to part **15** of the **FCC** Rules. These limits are designed to provide reasonable protection against harmful interference when the equipment is operated in a commercial environment. This equipment generates, uses, and can radiate radio frequency energy and, if not installed and used in accordance with the instruction manual, may cause harmful interference to radio communications. Operation of this equipment in a residential area is likely to cause harmful interference in which case the user will be required to correct the interference at his own expense.

## HANDLING

The printer can be handled by **instructed persons**.

Total weight of the printer with a <b>1 l (33.81 fl oz)</b> bottle of ink	≈ <b>7.6 kg (16.75 lbs)</b>
---	-----------------------------

Weight of printer components\*:

Control unit, with power supply	≈ <b>2.3 kg (5.07 lbs)</b>
---------------------------------	----------------------------

Integrated printhead (filled with ink) with a photocell	≈ <b>1.8 kg (3.97 lbs)</b>
---	----------------------------

Installation kit (beams, holders)	≈ <b>2.5 kg (5.51 lbs)</b>
-----------------------------------	----------------------------

Bottle of ink, with a capacity of:

<b>1 l (33.81 fl oz)</b>	≈ <b>1 kg (2.20 lbs)</b>
<b>0.5 l (16.9 fl oz)</b>	≈ <b>0.5 kg (1.10 lbs)</b>

\*Without option and cabling.

The printer may be transported in any position. Take care not to damage the nozzle plate and the control unit screen during transportation.

## INSTALLATION

The basic installation and relocation of the printer can only be done by an **instructed person** who shall follow the recommendations given in **The User Manual**.

Advanced installation (to use special types of ink, integrate the printer with a production line, work with external devices, etc.) can only be done by a **skilled person**, who will bear the full responsibility for the job.

## WORKPLACE



*Before use, the printer should be installed on a belt conveyor or another object that is firmly fixed to the floor, wall or another stable part of the structure with dedicated fixing elements. Dedicated racks can also be used.*

The printer must be installed indoors, in a ventilated location, away from any source of heat, flames or sparks.

The integrated printhead and photocell should be installed in places where objects can be labeled conveniently; the printer should be installed in place that is free from shock or vibration.

Objects to be labeled must move in front of the face of an integrated printhead from the direction where the slide is.

The printer can be installed in any position.

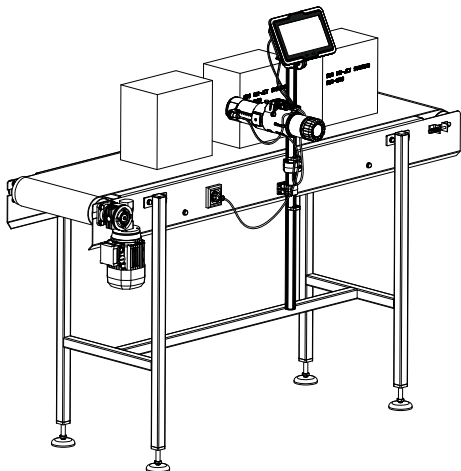
The lighting in the area where the printer is installed should conform to local regulations.

The printer installation on the production line must not generate any risks for staff.

The area that surrounds the printer should be large enough to ensure that the operators as well as the maintenance and service staff can do their jobs.

For detailed information about installation see **The User Manual**.

The drawing below shows an example of how to install the printer on a belt conveyor.



## CABLING

Clamps, clips or holders are recommended for fastening running cables.

The printer should not be installed where the cables (including the power cord) may be subject to

mechanical stresses. The cables must be secured against any damage. They must not dangle or lay on the floor.

The control unit can be connected to an integrated printhead with a cable, **1 to 30 m (3.28 to 98.42 ft)** in length. Cables longer than **3.05 m (10 ft)** are CMX-type cables. See also „**Requirements for the USA**.” on page 8.

The insulation of head cables is resistant to the impact of mineral oils (under CSA 22.2, 4Tage/100°C), fat or grease, UV radiation and also to abrasion.

The minimum bend radius is:

for cables of up to **3.05 m (10 ft)** in length:

- **51 mm (2 in)** - static operation
- **95 mm (3,74 in)** - dynamic operation

for (CMX-type) cables longer than **3.05 m (10 ft)**

- **32 mm (1,26 in)** - static operation
- **59 mm (2,32 in)** - dynamic operation

## POWER SUPPLY

The printer is not equipped with a disconnecting device (power switch) and as such it must be plugged into a power outlet which is close to it and which is easily accessible.

The printer shall be energized from a source whose nominal voltage falls into the range given on the printer nameplate. If in doubt, contact the **EBS Ink Jet Systeme** service department.

Supply voltage	<b>100 ÷ 240 VAC, 50/60 Hz</b>
Maximum power consumption	<b>54 W</b>
Oversvoltage category (OVC)	<b>II</b>
Electric shock protection class	<b>I</b>

The product is intended for use with **TN** power distribution systems.

The power supply circuit of the printer must be secured with a cut-out device, whose rated current is:

- max. **13A for Great Britain and Ireland**
- max. **16A for the UE countries**
- max. **20A for the USA and Canada,**



- for the other countries - in compliance with the applicable regulations.

The printer comes with a grounded power cord. The grounding is used for ensuring safety. **The power cord must be connected to a grounded power outlet.** Efficiency of grounding shall meet the applicable standards.



The type of plug that is part of a detachable power cord must be selected according to the type of sockets used in a given country.

Any use of extension cords is inadvisable. The use of extension cables that are not equipped with a protective wire is forbidden.

The electrical installations upstream of the printer must comply with applicable regulations.

## IT POWER DISTRIBUTION SYSTEMS

This printer has been designed for connection to an IT power distribution system.

## STATEMENT FOR SERVICE PERSONNEL

Power supply unit within the control unit.



**CAUTION: Double pole, neutral fusing.**

Before undertaking a service operation, remove the power plug from the electrical mains.



The power supply in the control unit has two unreplaceable fuses **F1, F2** on inner PWB.



The fuses must not be replaced and/or repaired by the user or service personnel. The control unit is a throw-away unit, when damaged. To repair, the control unit has to be returned to the manufacturing facility.

## INTERFACES

Cables used for connecting the printer to an **Ethernet** network shall be:

- unshielded,
- in conformity with the **Ethernet** requirements,
- CAT 5, as a minimum,

- not more than **100 m (328.08 ft)** in length.

The **Ethernet** interface cable connected to the printer must not run outside the building. It must be connected to the network infrastructure inside the building.

## LOCAL INSTALLATION REQUIREMENTS

### Requirements for the USA:

The specific guidelines about how to run CMX cables whose lengths exceed **3.05 m (10 ft)** are given in sections 725.135 to 725.144 of NFPA 70 National Electrical Code® (NEC) 2017 Edition.

This Code covers the installation and removal of electrical conductors, equipment, and raceways; signaling and communications conductors, equipment, and raceways; and optical fiber cables and raceways.

Before installing the printer for use with cables of more than **3.05 m (10 ft)** in length, read the above-mentioned guidelines.

### Requirements for the USA/Canada:

The printer is not intended for use in server rooms.

### Statements for China:

The printer **is not designed** for operation at heights that exceed **2000 m (6561 ft)** above sea level.



仅适用于海拔 2000 m 以下地区安全使用

The printer **is not designed** for operation in tropical conditions.



仅适用于非热带气候条件下安全使用

## STORAGE

Store the printer in a dry place.

Consumables storage temperature

0°C ÷ +50°C  
(+32°F ÷ +122°F)

The use of certain inks may limit the temperature range (see the data sheet for a given ink).

The printer may be stored in any position.

When filled with ink, the printer can be stored for **3 weeks**. If the printer is to be stored for a longer time, empty it of the ink and fill it with wash-up.

With certain inks, the printer can be stored for a different period (see the data sheet for a given ink).

---

## MAINTENANCE / FAULT FIXING

---

**Maintenance** operations should be performed by **instructed persons**, who wear suitable personal protection equipment (protective clothing, goggles, protective gloves, etc.). Any maintenance operations that are not described in **The User Manual** can be performed exclusively by **skilled persons**.



Any **service** operations that require that protective covers of the printer be opened or removed should be performed exclusively by **skilled persons**.

Disconnect the printer from the power source before commencing any intervention that involves the removal or replacement of a part. Appropriate tools should be used only.



No sharp or pointed tools must be used for cleaning or replacing the integrated printhead.

If the nozzle plate needs cleaning, use appropriate wash-up supplied by **EBS Ink Jet System**. No tools must be used for cleaning the nozzle plate. The nozzle plate should be dried gently with lint-free cloth. Contact with the nozzle plate should be limited to a minimum to avoid damage. Damage to the nozzle plate can reduce printhead efficiency.

The printer has a non-replaceable lithium battery. Such a battery is potentially explosive and may release hazardous chemicals. The control unit containing the board with the damaged battery can only be opened by a **skilled person**. The battery must not be crushed, punctured or thrown to a fire or to water to reduce the risk of fire or burns.

FR

## Sécurité et Informations Importantes

(Traduction de la version originale de l'instruction)

Il y a des icônes sur l'appareil qui indiquent un avertissement de dangers potentiels et une référence aux instructions fournies.



Avant d'utiliser l'imprimante **PicAS® II** EBS-1600, lisez attentivement la documentation fournie avec l'appareil et les fiches de données de sécurité (FDS) des consommables utilisés.



Conservez cette brochure d'information dans un endroit accessible afin de pouvoir la consulter ultérieurement pendant toute la durée de vie de l'appareil.

Le matériel livré dépendant de votre commande, il se peut que l'équipement et les fonctions de votre système d'impression diffèrent de ce qui apparaît dans certains textes ou illustrations. Afin de nous adapter en permanence au progrès technique et aux demandes personnalisées de nos clients, nous réservons le droit d'apporter des modifications à la forme, aux modèles et aux caractéristiques techniques de nos imprimantes. C'est pourquoi nous ne recevrons aucune réclamation portant sur les données, illustrations ou explications de la documentation fournie avec votre imprimante. Si votre imprimante possède certains équipements ou programmes non décrits ou non illustrés dans la documentation, ou si après lecture, vous avez encore des questions à poser, tout représentant **EBS Ink Jet System** se fera un plaisir de vous fournir les renseignements nécessaires.

Les versions originales de la présente instruction sont les versions polonaise et anglaise. En cas de divergences, ces versions font autorité. Les autres versions linguistiques sont des traductions des versions originales.

La documentation suivante est fournie avec l'appareil :

- **Manuel d'instructions** : contient une description de l'imprimante, des informations sur sa mise en marche/arrêt, le démarrage/arrêt de l'impression, la préparation des projets à imprimer, le réglage des paramètres d'impression, la maintenance de base et le dépannage, et une présentation des paramètres techniques, présentés sous forme de document PDF sur la clé USB fournie avec l'appareil et également disponibles sur le Web,
- **Manuel d'instructions simplifié** : contient une description simplifiée de l'imprimante, des informations sur sa mise en marche/arrêt, le démarrage/arrêt de l'impression, la préparation des projets à imprimer, la maintenance de base et le remplacement de la bouteille d'encre, présentés sous forme de document PDF sur la clé USB fournie avec l'appareil et également disponibles sur le Web,
- **Consignes de sécurité et informations importantes** : contient toutes les informations nécessaires pour installer, utiliser, transporter et stocker l'imprimante en toute sécurité; le document se présente sous forme imprimée et fichier PDF sur clé USB fournis avec l'appareil; il est également disponible sur le Web.

### DÉFINITIONS

**Personnel ordinaire (non formé)** : tout employé (autre que le **personnel formé**) autorisé à manipuler l'appareil, à y accéder ou à se trouver à proximité.

**Personnel formé** : employé dûment instruit et formé par le **personnel qualifié** ou supervisé par ce dernier.

**Personnel qualifié** : employé des services autorisés du fabricant possédant les connaissances et l'expérience nécessaires pour faire fonctionner, entretenir et réparer les équipements.

### USAGE DE L'IMPRIMANTE

Cette imprimante **PicAS® II** EBS-1600 est une imprimante industrielle à jet d'encre de type « DOD » (Drop-on-Demand, goutte à la demande) destinée à l'impression sans contact sur :

- des objets en mouvement (déplacement, rotation) devant la tête d'impression fixe,

- des objets fixes (ou également en mouvement), au moyen d'une tête d'impression mobile (par exemple avec un manipulateur ou un robot séparé).

Tout autre usage de l'imprimante est interdit. L'utilisateur est seul responsable des conséquences éventuelles d'un autre usage.

---

## RESPONSABILITÉ

---

**EBS Ink Jet Systeme** décline toute responsabilité pour les dommages ou accidents dus au non-respect des instructions de sécurité, des bonnes pratiques de fabrication et des normes de sécurité généralement applicables dans l'industrie, lors de l'installation, de l'utilisation ou de la maintenance du matériel **EBS Ink Jet Systeme**.

**EBS Ink Jet Systeme** décline toute responsabilité pour les dysfonctionnements ou dommages causés par une modification du matériel ou son utilisation à toute fin autre que celle pour laquelle il est conçu. Il incombe au seul utilisateur de prendre les précautions nécessaires à l'usage qu'il souhaite faire du matériel **EBS Ink Jet Systeme**.

Les consommables, pièces détachées, accessoires et câblages **EBS Ink Jet Systeme**, ci-après dénommés les fournitures, ont été conçus pour être utilisés avec le matériel **EBS Ink Jet Systeme** et ont été testés sur celui-ci pour établir leur conformité aux réglementations et normes de sécurité applicables.

L'utilisation de fournitures qui n'ont pas été fabriquées ou recommandées par **EBS Ink Jet Systeme** pour utilisation sur un appareil déterminé peut être incompatible avec les conditions de test et affecter la conformité du matériel aux normes applicables. L'utilisation de telles fournitures peut détériorer les paramètres spécifiques, propriétés ou performances de l'appareil à l'exploitation, et peut également provoquer des pannes ou causer des dommages au matériel qui ne seront pas couverts par la garantie.

Toute personne qui modifie ou répare elle-même le matériel **EBS Ink Jet Systeme** ou utilise des fournitures autres que celles fournies par **EBS Ink Jet Systeme** ou non conformes aux spécifications d'**EBS Ink Jet Systeme** agit sous son entière responsabilité et ne pourra faire valoir la garantie pour en couvrir les conséquences.

Cet équipement est certifié conforme aux exigences des marquages CE, FCC, ISED.

---

## DÉCLARATION DE CONFORMITÉ CE

---

Le texte complet de la déclaration de conformité CE est disponible sur demande auprès des représentants autorisés **EBS Ink Jet Systeme**.

---

## CONSIGNES DE SÉCURITÉ

---

**Cet équipement ne convient pas à une utilisation dans des lieux pouvant accueillir des enfants.**

L'appareil doit être utilisé par un **personnel formé**.

Il est conseillé de surveiller l'appareil lorsqu'il fonctionne.

Le **personnel ordinaire** n'est censé réaliser que les opérations de base telles que :

- la sélection d'un projet pour impression,
- le démarrage/arrêt de l'impression,
- le remplacement de la bouteille d'encre.

Toutes les opérations de maintenance, dont notamment les suivantes :

- nettoyage de la plaque des buses,
- réglage du dispositif d'impression, ou
- installation de l'appareil conformément au **Manuel d'instructions**,
- déplacement de l'imprimante

peuvent être effectuées par le **personnel formé**.

Toute opération d'installation ou maintenance, dont :

- l'installation avancée et le démontage de l'imprimante,
- les opérations impliquant l'ouverture ou le démontage des protections de l'appareil

ne peuvent être effectuées que par le **personnel qualifié**.

Cette imprimante a été conçue pour une utilisation toujours fiable dans de bonnes conditions de sécurité. La sécurité impose toutefois de connaître et de

respecter quelques règles d'usage et de prendre certaines précautions.

- N'imprimez pas sur des objets dont la température au moment de l'impression dépasse **100°C (212°F)**.
- Ne dirigez jamais la tête d'impression vers une personne ou un animal, même lorsque l'appareil est éteint.
- Portez des vêtements de protection, des gants résistant aux encres/solvants et des lunettes de protection lorsque vous manipulez la tête d'impression intégrée. 
- Lorsque vous installez/remplacez des consommables, veillez à ne pas éclabousser l'imprimante et son environnement.
- **Danger, éléments pointus!** Faites attention à ne pas vous blesser avec l'aiguille du connecteur lorsque vous retirez sa protection de transport et lorsque vous installez/remplacez les consommables. **Ne touchez pas l'aiguille!** Évitez toute manipulation à proximité de l'aiguille. 
- N'utilisez pas de récipients en plastique pour les opérations de nettoyage. Il est recommandé d'utiliser des récipients en métal ou autre matière n'accumulant pas l'électricité.
- Lorsqu'il est nécessaire de couper la tension d'alimentation, débranchez la fiche de la prise de courant. 
- N'utilisez pas l'appareil s'il n'est pas en parfait état.

## SANTÉ / HYGIÈNE / ENVIRONNEMENT

### PROCÉDURE EN CAS D'ACCIDENTS

En cas d'épanchement d'encre, épongez avec un chiffon absorbant et éliminez celui-ci conformément aux dispositions de prévention incendie et aux règles d'hygiène et sécurité du travail.

Enlevez immédiatement les vêtements éclaboussés.

En cas d'irritation des yeux et de la peau :

- **YEUX** rincez sous l'eau courante durant 15 minutes, ensuite consultez un oculiste,
- **PEAU** lavez avec de l'eau et du savon.

## FACTEURS NOCIFS SUR LE LIEU DE TRAVAIL

Le port de lentilles de contact est interdit lors de la manipulation de certains consommables.

Lors du nettoyage au solvant, il est recommandé de porter des gants résistant au solvant et des lunettes de protection.



*Tous les produits chimiques, dont l'encre, peuvent être dangereux et doivent être manipulés avec précaution.*

Niveau sonore maximal émis par l'imprimante < 70 dBA.

## PRÉVENTION INCENDIE



*Respectez attentivement les instructions de la fiche de données de sécurité (FDS) du fournisseur de l'encre et du solvant utilisés.*

Les imprimantes de la série **PicAS® II** EBS-1600 utilisent des encres inflammables ; leurs paramètres physiques et chimiques sont détaillés sur leurs fiches de données de sécurité (FDS). Entre autres : le symbole et le nom de l'encre, le solvant de base de l'encre, le point d'ébullition minimum et le point d'éclair.

Placez à proximité de l'imprimante un extincteur adapté aux feux d'appareils électriques et de solvants inflammables.



N'imprimez pas dans des locaux à risques de déflagration.

N'utilisez pas de feu ouvert ni d'appareils produisant des étincelles dans l'espace de travail de l'imprimante.



Ne laissez jamais d'encre ou de solvant dans un récipient ouvert.

Avant de vous approcher de l'imprimante et des liquides inflammables, touchez un objet métallique relié à la terre afin d'éliminer toute charge électrique dont vous pourriez être porteur.

L'endroit où est installée l'imprimante (surtout la tête d'impression) et où sont entreposés les consommables doit être bien ventilé.

En cas d'utilisation d'encre inflammables, une distance d'au moins **0,5 m (1,64 ft)** doit être conservée entre la bouteille d'encre et les installations électriques ou les sources d'étincelles ou de flammes. Lorsque vous remplacez une bouteille d'encre inflammable, tout équipement électrique doit être éloigné d'au moins **1 m (3,28 ft)** en hauteur et latéralement, et de **3 m (9,84 ft)** en dessous de l'appareil.

En cas d'utilisation d'encre inflammables, une distance d'au moins **2 m (6,56 ft)** doit être conservée entre la tête d'impression et les installations électriques ou les sources d'étincelles ou de flammes.

## RECYCLAGE

Les déchets de consommables doivent être éliminés conformément à la réglementation locale en matière de gestion des déchets et de transport des marchandises dangereuses.

## ENVIRONNEMENT DE TRAVAIL DE L'IMPRIMANTE

Température de fonctionnement	+5°C ÷ +45°C (+41°F ÷ +113°F)
Humidité	10 ÷ 90% d'hum. relative sans condensation
Altitude de travail maximum	2000 m (6561 ft)

L'utilisation de certaines encres peut impliquer des limites de températures et d'humidité (consultez la fiche technique de l'encre).

## RÉGLEMENTATION DE LA FCC



*Aucune modification ne peut être apportée à l'équipement sans l'accord du fabricant. Toute modification est susceptible d'enlever à l'utilisateur son droit d'utiliser l'appareil.*

L'appareil a été testé et jugé conforme aux exigences applicables aux appareils numériques de classe **A**, conformément à la partie 15 des règles de la **FCC**. Ces exigences sont conçues pour assurer une protection contre les interférences nuisibles lorsque l'équipement est utilisé dans un environnement commercial. Cet équipement génère, utilise et peut émettre de l'énergie de radio-fréquence et, s'il n'est pas installé ou utilisé conformément au manuel d'instructions, peut causer des interférences nuisibles aux communications radio. L'utilisation de ce matériel dans un environnement résidentiel est susceptible de provoquer des interférences nuisibles que l'utilisateur est tenu d'éliminer à ses frais.

### Pour le Canada :

Le présent appareil est conforme aux CNR d'Industrie Canada applicables aux appareils radio exempts de licence. L'exploitation est autorisée aux deux conditions suivantes : l'appareil ne doit pas produire de brouillage, et l'utilisateur de l'appareil doit accepter tout brouillage radioélectrique subi, même si le brouillage est susceptible d'en compromettre le fonctionnement. Le **PicAS® II EBS-1600** a été conçu et est conforme aux exigences de sécurité en matière d'exposition RF conformément aux RSS-102, paragraphe 2.5.1 comme le montre l'analyse de l'exposition aux RF.

## TRANSPORT

L'imprimante peut être déplacée par le **personnel formé**.

Poids de l'imprimante avec bouteille d'encre de 1 l	≈ 7,6 kg (16,75 lbs) (33,81 fl oz)
---	---------------------------------------

Poids des autres éléments de l'imprimante\* :

Terminal avec transfo	≈ 2,3 kg (5,07 lbs)
-----------------------	---------------------

Tête d'impression intégrée (remplie d'encre) avec cellule photoélectrique	≈ 1,8 kg (3,97 lbs)
---	---------------------

Kit de montage (pied, poignées)	≈ 2,5 kg (5,51 lbs)
---------------------------------	---------------------

Bouteille d'encre de :

1 l (33,81 fl oz)	≈ 1 kg (2,20 lbs)
0,5 l (16,9 fl oz)	≈ 0,5 kg (1,10 lbs)

\*Hors options et câblages.

L'imprimante peut être transportée dans toutes les positions. Pendant le transport, veillez à ne pas endommager la plaque des buses et l'écran du terminal.

## INSTALLATION

L'installation de base et le déplacement de l'imprimante peuvent être effectués par le **personnel formé**, en respectant les consignes du **Manuel d'instructions**.

L'installation avancée (encres spéciales, intégration à une chaîne de production, utilisation d'appareils extérieurs, etc.) ne peut être effectuée que par un **personnel qualifié**, lequel supporte l'entière responsabilité de l'installation.

## POSTE DE TRAVAIL



*Avant sa mise en service, installez l'imprimante sur le convoyeur à bande ou montez-la sur un autre élément solidement fixé au sol, au mur ou à une autre structure stable; utilisez pour ce faire les pièces de fixation adéquates. L'imprimante peut également être montée sur un pied prévu à cet effet.*

L'imprimante doit être installée en intérieur, dans un local bien ventilé, à l'écart de toute source de chaleur, flammes ou étincelles.

Positionnez correctement la tête d'impression et la cellule photoélectrique selon la spécificité des objets à marquer. L'imprimante doit être installée dans un endroit exempt de chocs et de vibrations.

Les objets à marquer doivent arriver devant la tête d'impression dans le sens de la glissière.

L'imprimante peut être installée dans toutes les positions.

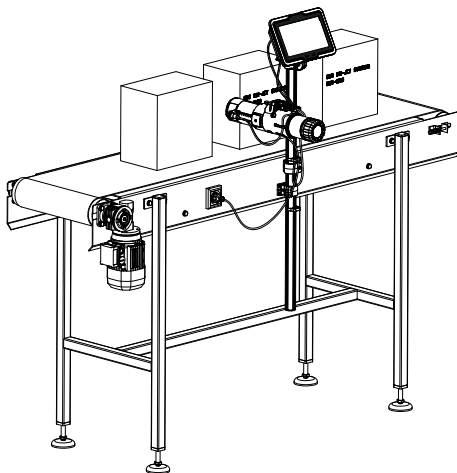
Le poste de travail de l'imprimante doit être éclairé conformément à la réglementation locale en vigueur.

Le mode d'installation de l'imprimante sur la ligne de production ne peut engendrer de risques pour le personnel.

Le personnel utilisant l'imprimante ou chargé de sa maintenance et de son entretien doit disposer d'un espace suffisant autour de l'appareil pour réaliser les opérations requises.

Les informations détaillées d'installation sont présentées dans le **Manuel d'instructions**.

Le dessin ci-dessous montre un exemple d'installation de l'imprimante sur un convoyeur à bande.



## CÂBLAGES

Il est conseillé d'immobiliser les câbles avec des éléments de fixation prévus à cet effet.

Installez l'imprimante à un endroit où ses câbles (dont le câble d'alimentation) ne seront pas soumis à des contraintes mécaniques. Les câbles doivent être protégés contre tous les types de dommages. Ils ne peuvent pendre librement ni traîner sur le sol.

La tête d'impression intégrée peut être raccordée au terminal par un câble de **1 à 30 m** (de **3,28 à 98,42 ft**). Les câbles dont la longueur dépasse **3,05 m (10 ft)** sont de type CMX. Voir aussi «Exigences en vigueur aux États-Unis», page 47.

L'isolation du câble est résistante aux huiles minérales (selon CSA 22.2, 4Tage/100°C), graisses, rayons UV, et à l'abrasion.

Rayon minimum de courbure des conduites :

pour les câbles de longueur inférieure ou égale à **3,05 m (10 ft)** :

- **51 mm (2 in)** en situation de travail statique
- **95 mm (3,74 in)** en situation de travail dynamique

pour les câbles de longueur supérieure à **3,05 m (10 ft)** (type CMX):

- **32 mm (1,26 in)** en situation de travail statique
- **59 mm (2,32 in)** en situation de travail dynamique.

## SECTEUR D'ALIMENTATION ÉLECTRIQUE

L'imprimante n'étant pas équipée de dispositif de coupure de courant (interrupteur), la prise de courant sur laquelle elle est branchée doit être montée près de l'appareil, à un endroit facilement accessible.


L'imprimante doit être connectée à une prise de courant de tension nominale comprise dans la plage indiquée sur sa plaque signalétique. En cas d'incertitude concernant votre alimentation électrique, veuillez contacter le service d'assistance technique d'**EBS Ink Jet Systeme**.

Tension d'alimentation	<b>100 ÷ 240 VAC, 50/60 Hz</b>
Consommation maximum	<b>54 W</b>
Catégorie de surtension	<b>II</b>
Classe de protection contre les chocs électriques	<b>I</b>

L'imprimante doit être connectée à un réseau d'alimentation électrique de régime **TN**.

Le circuit d'alimentation électrique de l'imprimante doit être protégé par un disjoncteur de courant nominal :

- max. : **13 A pour la Grande-Bretagne et l'Irlande**
- max. : **16 A pour les pays de l'UE**
- max. : **20 A pour les États-Unis et le Canada,**
- ou conforme à la réglementation locale pour les autres pays.

L'imprimante est équipée d'un câble d'alimentation avec terre qui garantit sa sécurité. **Le câble d'alimentation doit être branché sur une prise de courant avec mise à la terre.**  Le raccordement à la terre doit être réalisé selon les normes en vigueur.

La fiche du câble d'alimentation déconnectable doit être adaptée au type de prise de courant en usage dans votre pays.

Il est déconseillé d'utiliser une rallonge. Il est interdit d'utiliser une rallonge ne comportant pas de fil de terre.

Les installations électriques en amont de l'imprimante doivent être conformes aux normes applicables.


## SYSTÈMES D'ALIMENTATION ÉLECTRIQUE D'INSTALLATION INFORMATIQUE

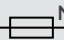
Cette imprimante est destinée à être connectée à un système d'alimentation électrique d'installation informatique.




## DÉCLARATION POUR LE PERSONNEL DE SERVICE

Le module d'alimentation électrique se trouve dans le terminal.

 **ATTENTION : Double pôle/fusible sur le neutre.**

 Avant de procéder à toute opération d'entretien, débranchez la fiche du secteur d'alimentation.

La carte électronique située à l'intérieur du module d'alimentation (dans le terminal) comporte deux fusibles **F1** et **F2** qui ne peuvent être remplacés.

 Les fusibles ne peuvent être remplacés ni réparés par l'utilisateur ou un technicien. En cas de panne du terminal, celui-ci doit être renvoyé à l'usine pour réparation.

## INTERFACES

Paramètres requis pour les câbles de raccordement de l'imprimante à un réseau **Ethernet** :

- câbles non écrantés,
- conformes aux exigences du standard d'interface **Ethernet**,
- catégorie 5 minimum (CAT 5),
- longueur maximum **100 m (328,08 ft)**.

Le câble d'interface **Ethernet** connecté à l'imprimante ne peut passer à l'extérieur du bâtiment. Il doit être connecté à l'infrastructure de réseau intérieure du bâtiment.

## EXIGENCES D'INSTALLATION LOCALES

### Exigences en vigueur aux États-Unis

Les sections 725.135 à 725.144 de la norme NFPA 70 (National Electrical Code® (NEC) 2017) contiennent des consignes particulières visant l'utilisation des câbles de type CMX de longueur supérieure à **3,05 m (10 ft)**.

Cette norme est applicable à l'installation et au démontage des câbles électriques, de signaux, de communication ou en fibre optique ainsi qu'à leurs équipements et conduites de câbles.

Avant d'installer une imprimante avec des câbles de longueur supérieure à **3,05 m (10 ft)**, veuillez prendre connaissance de ce document.

### Exigences en vigueur aux États-Unis et au Canada

Cette imprimante n'est pas conçue pour être utilisée dans les salles de serveurs.

### Déclarations pour la Chine

L'imprimante **n'est pas** conçue pour fonctionner à une altitude supérieure à **2000 m (6561 ft)**.



仅适用于海拔 2000 m 以下地区安全使用

L'imprimante **n'est pas** conçue pour fonctionner en milieu tropical.



仅适用于非热带气候条件下安全使用

## STOCKAGE

L'imprimante doit être stockée dans son emballage d'origine, dans un endroit sec.

Température de stockage  
des consommables

0°C ÷ +50°C  
(+32°F ÷ +122°F)

L'utilisation de certaines encres peut impliquer des limites de température (consultez la fiche technique de l'encre).

L'imprimante peut être stockée dans toutes les positions.

L'appareil peut rester stocké pendant **3 semaines** avec son circuit chargé d'encre. En cas de stockage prolongé, l'encre doit être purgée et l'imprimante doit être remplie de solvant.

Le temps de stockage peut être limité en cas d'utilisation de certaines encres (consultez la fiche technique de l'encre).

## ENTRETIEN / DÉPANNAGE

Les travaux d'entretien doivent être effectués par un **personnel formé** portant un équipement de protection individuelle approprié (vêtements de protection, lunettes, gants, etc.). Toute opération de maintenance non décrite dans le **Manuel d'instructions** ne peut être effectuée que par un **personnel qualifié**.



Toute opération de **maintenance** nécessitant l'ouverture ou le démontage des protections de l'appareil ne peut être effectuée que par un **personnel qualifié**.

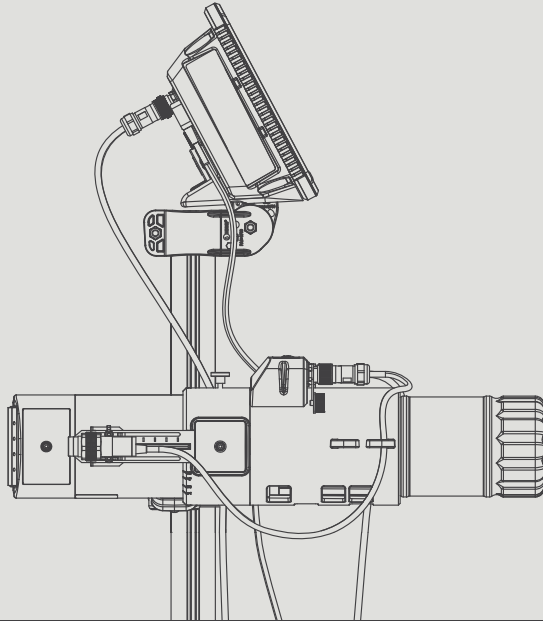
Avant toute intervention impliquant le démontage ou le remplacement d'un composant, l'imprimante doit être débranchée du secteur d'alimentation électrique. Les outils utilisés doivent être appropriés.



N'utilisez jamais d'outils tranchants ou pointus lors du nettoyage ou du remplacement de la tête d'impression intégrée.

En cas de nécessité de nettoyer la plaque des buses, utilisez le solvant adéquat fourni par **EBS Ink Jet Systeme**. N'utilisez pas d'outils pour nettoyer la plaque des buses. Essuyez-la délicatement au moyen d'un chiffon non pelucheux. Les contacts avec la plaque des buses doivent être réduits à un minimum afin de ne pas l'endommager. Les dommages causés à la plaque des buses peuvent nuire à l'efficacité de la tête d'impression.

L'imprimante comporte une batterie au lithium non remplaçable. Cette batterie présente un risque d'explosion et de fuite de produits chimiques dangereux. En cas de dommage de la batterie, le terminal contenant la carte sur laquelle elle est installée ne peut être ouvert que par un **personnel qualifié**. Afin d'éviter tout risque d'incendie ou de brûlure, ne pas écraser, percer ou jeter la batterie usée au feu ou dans l'eau.



**Management and International Affairs:**

**EBS Ink Jet Systeme GmbH**

D-51588 Nümbrecht-Elsenroth, Alte Ziegelei 19-25, **Deutschland**

+49 (0)2293 / 939-0 / +49 (0)2293 / 939-3 / [www.ebs-inkjet.de](http://www.ebs-inkjet.de) / [mail@ebs-inkjet.de](mailto:mail@ebs-inkjet.de)

**Manufacturing, Distribution and Service:**

**EBS Ink-Jet Systems Poland Sp. z o.o.**

ul. Tarnogajska 13, 50-512 Wrocław, **Poland**

+48 71 367 04 11 / + 48 71 3733269 / [www.ebs-inkjet.pl](http://www.ebs-inkjet.pl) / [bok@ebs-inkjet.pl](mailto:bok@ebs-inkjet.pl)

**Sales, Logistics and Service in the USA:**

**EBS Ink-Jet Systems USA, Inc.**

Libertyville, IL 60048, 1840 Industrial Drive, Suite 200, **USA**

1-847-996-0739 / 1-847-996-0843 / [ebs-inkjet-usa.com](http://ebs-inkjet-usa.com) / [sales@ebs-inkjet.com](mailto:sales@ebs-inkjet.com)

**Sales, Logistics and Service in China:**

**EBS Ink-Jet Systems (Shenzhen) Co., LTD**

Unit 608, Building Jin-Hui-Qiu No.5, Langshan 2nd Road, Gaoxin bei qu, Nanshan District, 518057 Shenzhen, **China**

深圳总公司地址: 深圳南山区高新北区朗山二路5号金汇球大厦六楼608

+86 400-0606-678 / +86 755-23400676 / +86 755-23400376 / [www.ebs-inkjet-china.com](http://www.ebs-inkjet-china.com) / [office@ebs-china.com](mailto:office@ebs-china.com)