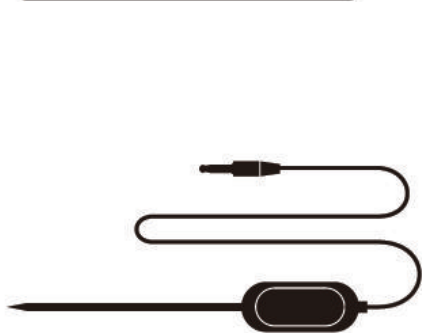
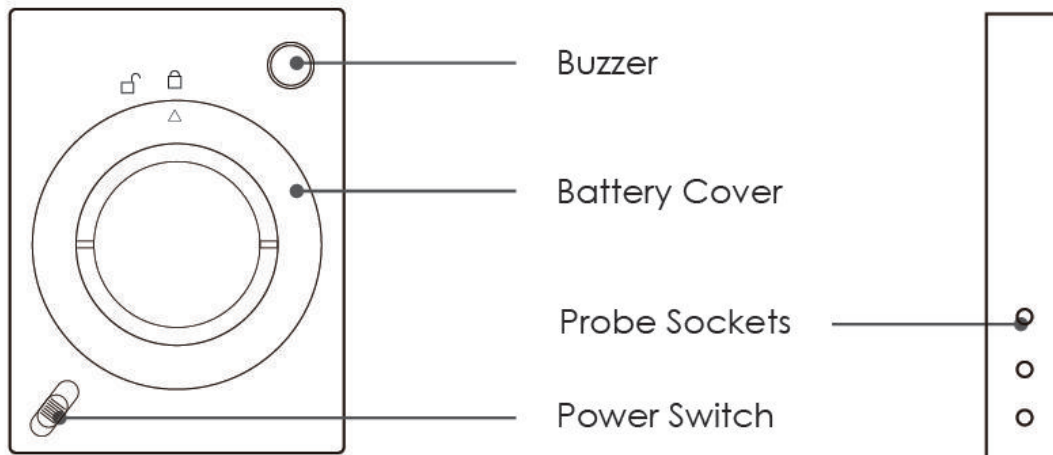
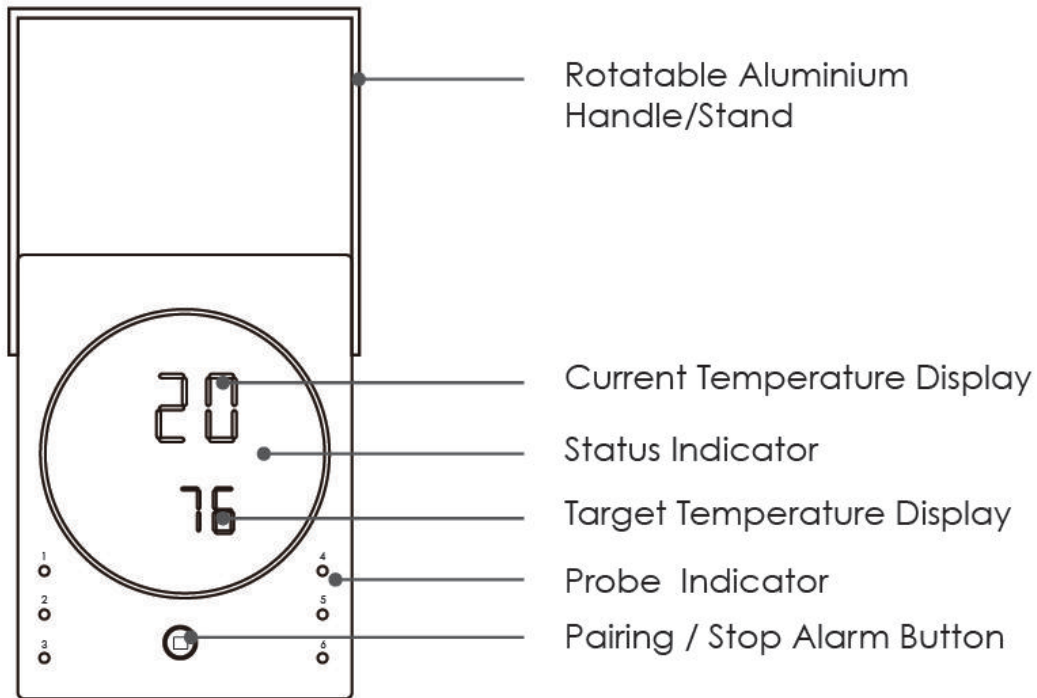


User Manual for

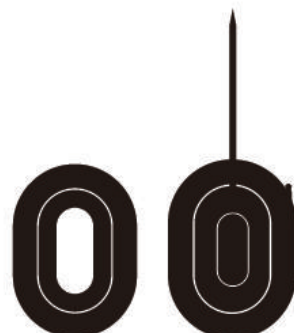
GE0001

GrillEye® Smart Bluetooth Grilling & Smoking Thermometer.

Get to know the Device



Probe with cable X 2



Probe Wrap X2



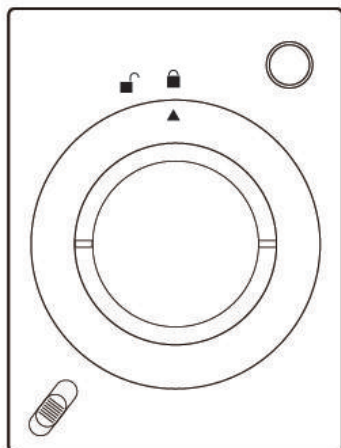
AA Battery X 2

The device provides 6 sockets for probes, which enable you to monitor 6 items at once.

if you need more probes besides these 2 probes in the standard package, please contact the dealer.

Put in the Battery

2 AA size battery are needed for this device. Make sure they are put in the right direction by following the icons on the unit.



- 1 Twist the battery cover counterclockwisely to unlock.
- 2 Put in batteries, noticing the icons that show directions.

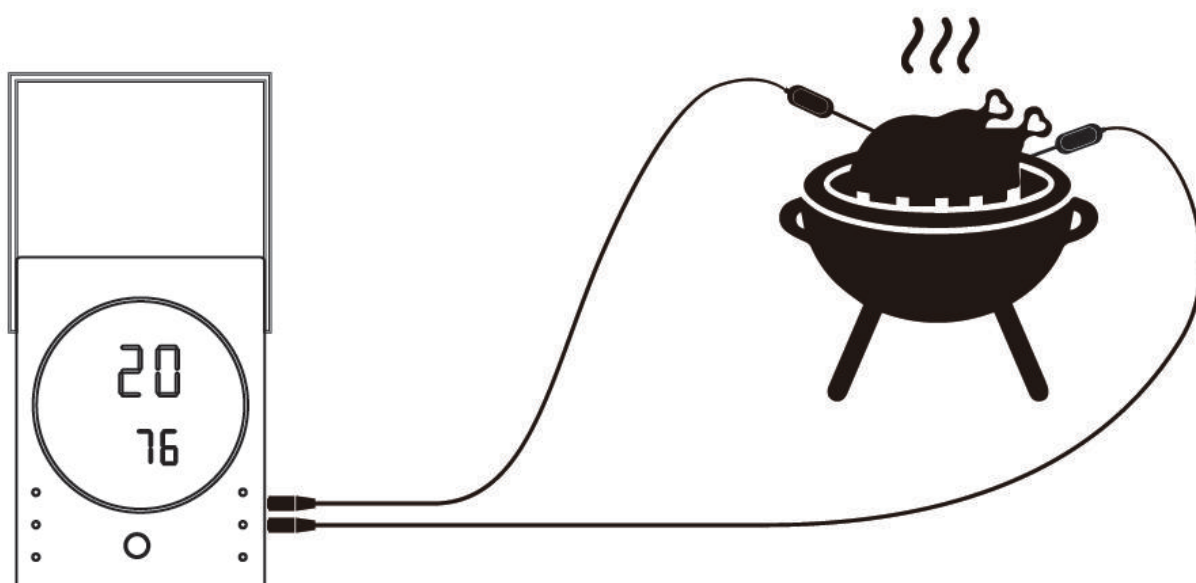


- 3 Make sure the icon ▲ pointing to the icon ■ when you put the cover back; then twist the cover clockwise to lock it, aligning ▲ with ■ .

Install the probes

The device will keep scanning the sockets when its power is switched on, the Probe Indicators will blink one by one from 1 to 6 where probes are plugged in.

Then insert the probes into the food, make sure the front tip of the probe is in the center of the food to get accurate temperature.



Download the APP

Search the keyword '**easybbq**' in Appstore or Google Play, or scan the following QR code with your phone.

Download and install it for free.

Make sure your phone meets the requirements:

iPhone 4S, and later models;

iPod touch 5th, iPad 3rd generations and later models,

all ipad mini;

Android devices running version 4.3 or later, with blue-tooth 4.0 module.



EasyBBQ app

Pair with your phone

- 1 Switch on your device and keep the blue-tooth switch of your phone on.
- 2 Launch the app, and follow the instructions in the app to pair and activate the device:
Press the Pairing / Stop Alarm Button (in the front of the device).
Or, scan the bar code on the package or on the device.
- 3 Connected successfully.

Status Indicator

Blinking Blue

Solid White

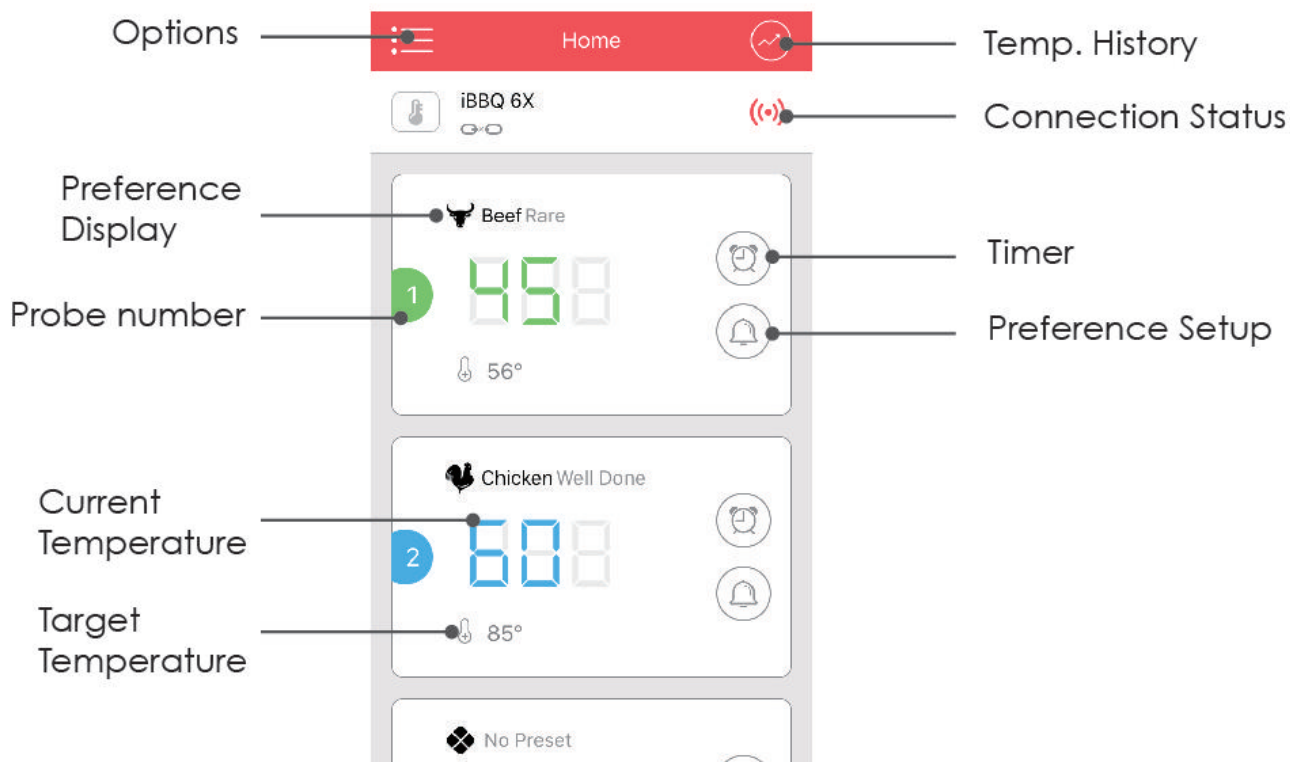
Solid Blue

Once Paired the device with your phone, you don't need to do it again, unless you change to other phones.

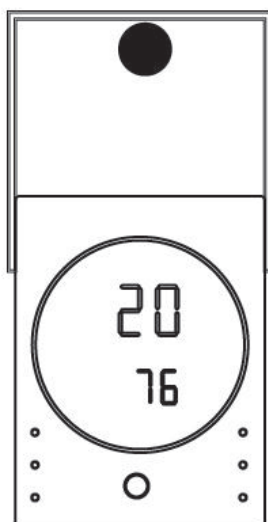
Enjoy your barbecue time

Choose food type and preference for the food where each probe is inserted, the app and the device will display its current and target temperature.

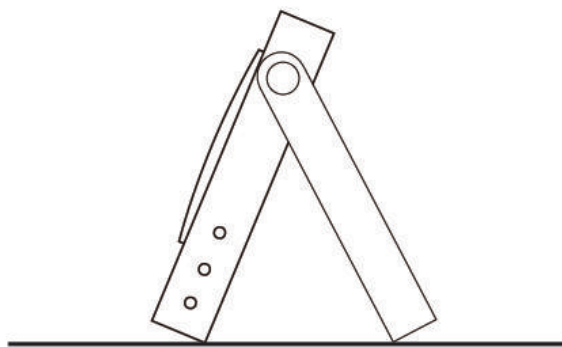
When the food is ready, the app and the device will alarm.



**The user interface of the app may be changed when upgrade.
Please follow the instructions in the app.**

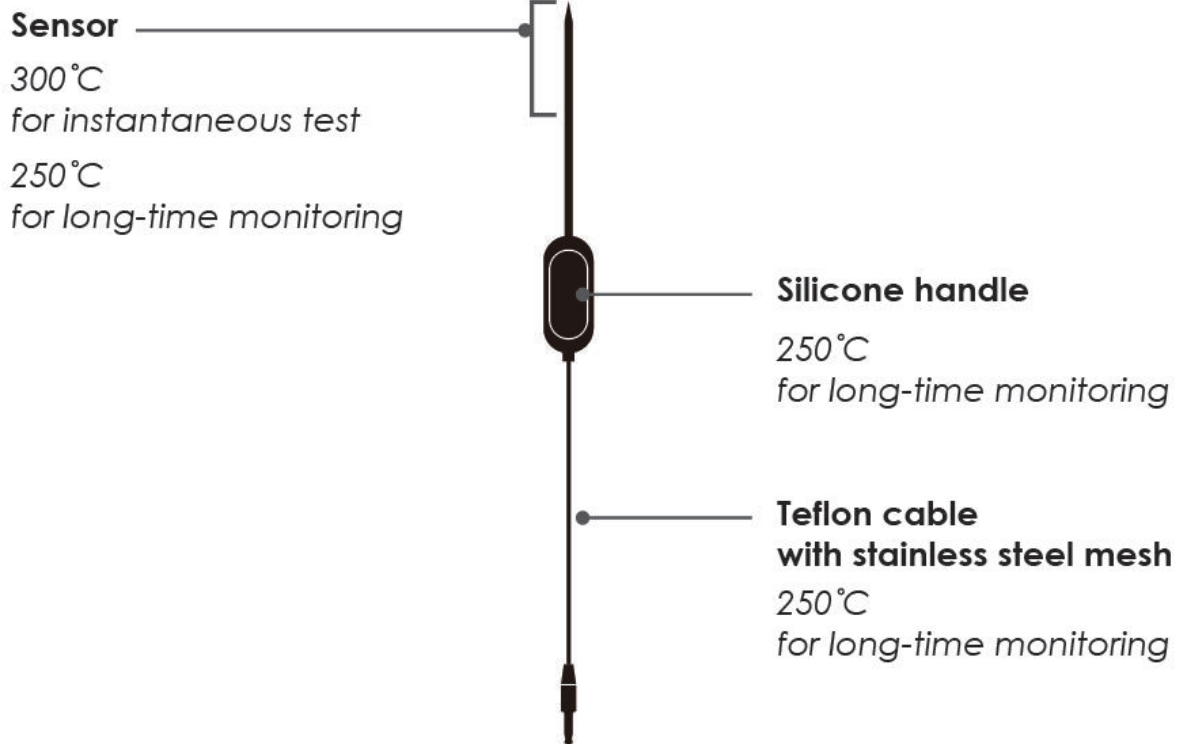


With the rotatable handle, you could place the device on a table with a comfortable angle or hang it on something.



WARNING

The heat resistance varies in different components of the probe, DO NOT put the probes directly in fire flame. And probes are NOT dishwasher safe.



Operation Is Subject To The Following Two Conditions:

(1) This device may not cause interference, and (2) This device must accept an interference, including interference that may cause undesired operation of this device.

App Store is a service mark of Apple Inc.

Google Play is a service mark of Google Inc.



FCC Statement

Changes or modifications not expressly approved by the party responsible for compliance could void the user's authority to operate the equipment.

This equipment has been tested and found to comply with the limits for a Class B digital device, pursuant to Part 15 of the FCC Rules. These limits are designed to provide reasonable protection against harmful interference in a residential installation. This equipment generates uses and can radiate radio frequency energy and, if not installed and used in accordance with the instructions, may cause harmful interference to radio communications. However, there is no guarantee that interference will not occur in a particular installation. If this equipment does cause harmful interference to radio or television reception, which can be determined by turning the equipment off and on, the user is encouraged to try to correct the interference by one or more of the following measures:

- Reorient or relocate the receiving antenna.
- Increase the separation between the equipment and receiver.
- Connect the equipment into an outlet on a circuit different from that to which the receiver is connected.
- Consult the dealer or an experienced radio/TV technician for help

This device complies with part 15 of the FCC rules. Operation is subject to the following two conditions (1) this device may not cause harmful interference, and (2) this device must accept any interference received, including interference that may cause undesired operation