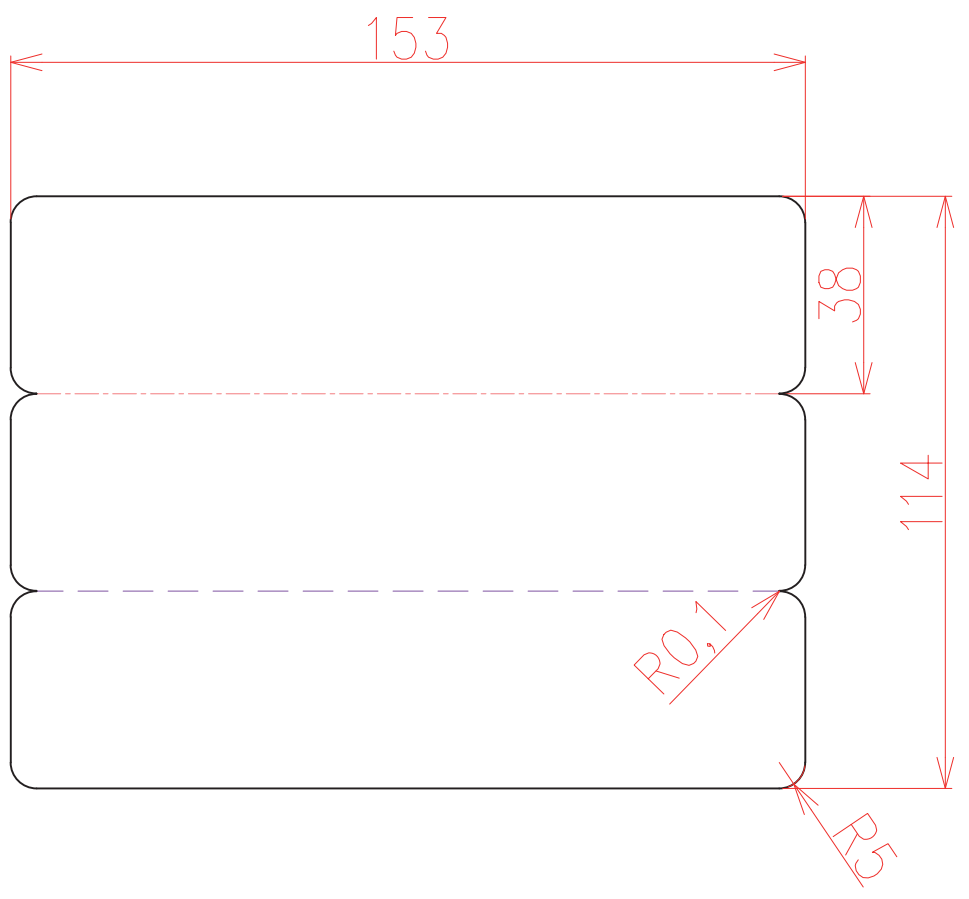


1 2 3 4 5 6 7 8

A  
B  
C  
D  
E  
F



- 注：1. 印刷文件请利用 2/2 印刷数据。  
 2. ----- 为外折线。  
 3. -.-.-.- 为内折线。  
 4. 产品须符合PowerVision《环保品质保证书》要求。

<table border="1"> <tr> <td>V3.0</td> <td>21.06.21</td> <td>北美安规要求,增加警示语。</td> <td>刘莹</td> </tr> <tr> <td>V2.0</td> <td>21.05.31</td> <td>变更认证参数。</td> <td>刘莹</td> </tr> <tr> <td>V1.0</td> <td>21.05.26</td> <td>初版归档。</td> <td>刘莹</td> </tr> <tr> <td>版本</td> <td>日期</td> <td>变更内容</td> <td>设计执行者</td> </tr> </table>				V3.0	21.06.21	北美安规要求,增加警示语。	刘莹	V2.0	21.05.31	变更认证参数。	刘莹	V1.0	21.05.26	初版归档。	刘莹	版本	日期	变更内容	设计执行者	DESIGNED 设计部 刘莹 2021.06.21	Approved 设计部 王建 2021.06.21	TOLERANCES UNLESS SPECIFIED IT16	MATERIAL 80g铜版纸 FINISH 双面印刷 : 1C / 风琴折	SCALE 3RD ANGLE SHEET 1/2	认证符合性文档 Compliance Information File Material code. 70100094-02 V3.0 DESIGNED FOR PVMG10
V3.0	21.06.21	北美安规要求,增加警示语。	刘莹																						
V2.0	21.05.31	变更认证参数。	刘莹																						
V1.0	21.05.26	初版归档。	刘莹																						
版本	日期	变更内容	设计执行者																						

认证符合性文档	
Compliance Information File	
Matria code:	70100094-02 V3.0
DESIGNED FOR	PVMG10
SIZE:	153mm x 114mm
Color:	1C
DESIGNED	yuki,liu 2021.06.21
SHEET:	2/2

注：详细尺寸及材质工艺见尺寸图。

**Compliance Information**

**FCC Compliance Information**

Changes or modifications not expressly approved by the party responsible for compliance could void the user's authority to operate the equipment.

This equipment has been tested and found to comply with the limits for a Class B digital device, pursuant to part 15 of the FCC Rules. These limits are designed to provide reasonable protection against harmful interference in a residential installation. This equipment generates, uses and can radiate radio frequency energy and, if not installed and used in accordance with the instructions, may cause harmful interference to radio communications. However, there is no guarantee that interference will not occur in a particular installation. If this equipment does cause harmful interference to radio or television reception, which can be determined by turning the equipment off and on, the user is encouraged to try to correct the interference by one or more of the following measures:

—Reorient or relocate the receiving antenna.  
—Increase the separation between the equipment and receiver.  
—Connect the equipment into an outlet on a circuit different from that to which the receiver is connected.  
—Consult the dealer or an experienced radio/TV technician for help.

This device complies with part 15 of the FCC Rules. Operation is subject to the following two conditions: (1) This device may not cause harmful interference, and (2) this device must accept any interference received, including interference that may cause undesired operation.

**RF Exposure Information**

This equipment complies with FCC radiation exposure limits set forth for an uncontrolled environment. End user must follow the specific operating instructions for satisfying RF exposure compliance. This transmitter must not be co-located or operating in conjunction with any other antenna or transmitter.

**ISED Compliance Information**

This device contains licence-exempt transmitter(s)/receiver(s) that comply with Innovation, Science and Economic Development Canada's licence-exempt RSS(s). Operation is subject to the following two conditions:

- (1) This device may not cause interference.
- (2) This device must accept any interference, including interference that may cause undesired operation of the device.

Cet équipement est conforme aux limites d'exposition aux radiations FCC IC CNR-102 établies pour un environnement non contrôlé. Cet équipement doit être installé et utilisé avec une distance minimale de 0 cm entre le radiateur et votre corps.

**RF Exposure Information**

This equipment complies with FCC/IC RSS-102 radiation exposure limits set forth for an uncontrolled environment. This equipment should be installed and operated with minimum distance 0 cm between the radiator and your body.  
Cet équipement est conforme aux limites d'exposition aux radiations FCC/IC CNR-102 établies pour un environnement non contrôlé. Cet équipement doit être installé et utilisé avec une distance minimale de 0 cm entre le radiateur et votre corps.

**NCC Warning**

取用電磁輻射性電機管理辦法，非經核准，公司、商號或使用者均不得擅自變更頻率、加大功率或變更設計之特性及功能。低功率射頻器材之使用不得影響飛航安全及干擾合法通信；經發現有干擾現象時，應立即停用，並改善至無干擾時方得繼續使用。前述合法通信，指依電信管理法規訂作業之無線電通信。低功率射頻器材須符合法規或工業、科學及醫療用電磁輻射性電機設備之干擾。



**EU Compliance Information**

Herby, PowerVision Tech Inc. declares that the radio equipment type PowerVision S1 is in compliance with Directive 2014/53/EU. The full text of the EU declaration of conformity is available at the following internet address: <https://support.eu.powervision.me/support/home>.

EU Contact Address: PowerVision Europe B.V. Ampèrestraat 18H, 3816 NC, Nijkerk, The Netherlands

Adresse de contact: PowerVision Europe B.V. Ampèrestraat 18H, 3816 NC, Nijkerk, The Netherlands

PowerVision Tech Inc. erklärt hiermit, dass die Funkanlage vom Typ PowerVision S1 der Richtlinie 2014/53/EU entspricht. Der vollständige Text der EU-Konformitätserklärung steht unter der folgenden Internet-Adresse zur Verfügung: <https://support.eu.powervision.me/support/home>.

Kontakt-Adresse: PowerVision Europe B.V. Ampèrestraat 18H, 3816 NC, Nijkerk, The Netherlands

En virtud de lo cual, PowerVision Tech Inc. declara que el tipo de equipo radio PowerVision S1 cumple con la Directiva 2014/53/EU. El texto completo de la declaración de conformidad para la UE está disponible en la siguiente dirección de internet: <https://support.eu.powervision.me/support/home>.

Dirección de contacto: PowerVision Europe B.V. Ampèrestraat 18H, 3816 NC, Nijkerk, The Netherlands

Con la presente, PowerVision Tech Inc. dichiara che il tipo di attrezzatura radio PowerVision S1 è conforme alla Direttiva 2014/53/EU. Il testo completo della Dichiarazione di conformità UE è disponibile su: <https://support.eu.powervision.me/support/home>.  
Indirizzo di contatto: PowerVision Europe B.V. Ampèrestraat 18H, 3816 NC, Nijkerk, The Netherlands

CMRIT: 2021DPS285  
无线电发射设备型号核准代码: 见产品标签。

**CAUTION**

Risk of Fire and Burns. Do Not Open, Crush, Heat Above 60°C or Incinerate. Follow Manufacturer's Instructions. Risk of explosion if battery is replaced by an incorrect type. Dispose of used batteries according to the instructions.

禁止拆解、撞击、挤压或投入火中。若出现严重故障，请勿继续使用。请勿置于高温环境中。电池浸水后，禁止使用。



**Environmentally friendly disposal**  
Old electrical appliances must not be disposed of together with the residual waste, but have to be disposed of separately. The disposal at the communal collecting point via private persons is for free. The owner of old appliances is responsible to bring the appliances to these collecting points or to similar collection points. With this little personal effort, you contribute to recycle valuable raw materials and the treatment of toxic substances.



在中华人民共和国境内销售的电子电气产品（EEP）按电子行业标准SJ/T 11364《电子电气产品有害物质限制使用标识要求》要求在产品上标识环保使用期限。

**产品中有毒物质的名称及含量**

部件名称	有毒物质					
	铅 (Pb)	汞 (Hg)	镉 (Cd)	六价铬 (Cr(VI))	多溴联苯 (PBB)	多溴联苯醚 (PBDE)
印刷电路板	X	0	0	0	0	0
封装	X	0	0	0	0	0
电池	X	0	0	0	0	0
塑料/油漆等	X	0	0	0	0	0
其他附件	X	0	0	0	0	0

本表格按照 SJ/T 11364-2014 的规定编制。  
0: 表示该有毒物质在该部件中所含物质的含量符合 GB/T 26572 规定的限量要求以下。  
X: 表示该有毒物质在该部件中的含量超过 GB/T 26572 规定的限量要求。

**Specifications**

PowerVision S1	Energy	15.86Wh/1000mAh, 15.4V *Capacity equal to 4120mAh, 3.7 V
Model	Model	PVS10
Finished Dimensions	Finished Dimensions	141.5 x 58.8 x 27.9mm
Unfinished Dimensions	Unfinished Dimensions	203.5 x 58.8 x 39.3mm
Weight	Weight	298g
Compatible Payload Weight	Compatible Payload Weight	220±50g
Compatible Phones Length	Compatible Phones Length	164mm Max.
Operating Frequency Range	Operating Frequency Range	2402-2480MHz
Max. d1/d2	Max. d1/d2	≤6.288mm
Battery	Battery	PowerOn: 18Wh Max. PowerOff: 9Wh Max.
Type	Type	Lithion

Charging Time	Charging Time	15 hrs * Under ideal conditions with the gimbal fully balanced.
Working Temperature	Working Temperature	0-40°C * Measured with a 18W charger
Charging Temperature	Charging Temperature	5-40°C
Max Charging Power	Max Charging Power	18W, 5V/3A 9V/2A 12V/1.5A
Charging Output	Charging Output	10W Max.
Wireless Output	Wireless Output	PowerOn: 18W Max. PowerOff: 9W Max.
USB-C Output	USB-C Output	PowerOn: 18W Max. PowerOff: 9W Max.
Wireless model	Wireless model	BLE5.0



70100094-02 V3.0