



TG709-R

Remote control of Speed Master Off Road Car

## User Manual



This product may contain small parts that could be a choking hazard. Small Children under 6 years old should be closely supervised while using this product.

PLEASE FOLLOW THESE INSTRUCTIONS CAREFULLY AND KEEP THIS INSTRUCTION BOOKLET FOR FUTURE REFERENCE.

DUE TO CONTINUAL IMPROVEMENTS ACTUAL PRODUCT MAY BE DIFFERENT TO ILLUSTRATIONS

English p 1

Deutsch p 9

Français p 17

Italiano p 25

Español p 33

# ENGLISH MANUAL - CONTENTS

<b>1.</b>	<b>IMPORTANT INFORMATION</b>	
	1.1 Safety Information .....	3
	1.2 Battery Safety .....	3
	1.3 Speed Master Off Road Car Battery Installation .....	4
	1.4 Remote Battery Installation .....	4
<b>2.</b>	<b>INSTRUCTIONS PART 1</b>	
	2.1 Setting up the Speed Master Off Road Car .....	5
<b>3.</b>	<b>INSTRUCTIONS PART 2</b>	
	3.1 Controlling the Speed Master Off Road Car .....	6
<b>4.</b>	<b>INSTRUCTIONS PART 3</b>	
	4.1 Adjusting the Directional Movement .....	7
	4.2 Troubleshooting .....	7
	<b>WARRANTY</b>	
	Warranty Information .....	8

**If you have any issues with your product or have any questions, please contact us via email:**

**[help@thinkgizmos.com](mailto:help@thinkgizmos.com)**

**This is the quickest way to resolve any problems. You will be surprised how fast we will get back to you on email with a resolution.**

**All our products are covered by our manufacturer's warranty, details can be found on page 8.**

**For more of our brilliant products, search Amazon for "ThinkGizmos".**

***ThinkGizmos "Small enough to care big enough to deliver".***

# 1. IMPORTANT INFORMATION

## 1.1 Safety Information

Thank you for purchasing the Speed Master Off Road Car. Please read through this instruction manual before use as it contains all the information you need about how to correctly enjoy this product.



### CAUTION

#### ELECTRONIC PRODUCT

Do not leave children aged 6 or below unattended with this toy. This product should be used in accordance with this user manual in a safe way to avoid electric shock.

#### ADULT SUPERVISION REQUIRED

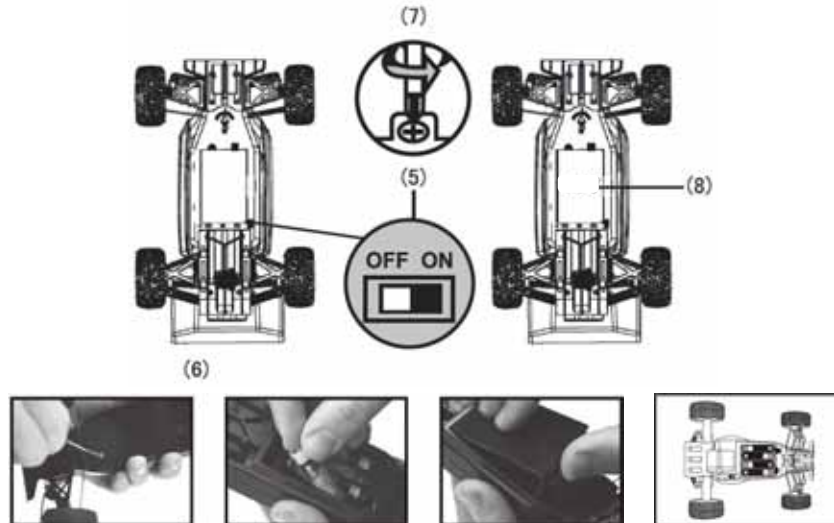
WARNING! Do not try to modify this product in any way as this may invalidate your warranty.

WARNING! Contains small parts, child supervision is required at all times.

## 1.2 Battery Safety

- 1) Use only brand new batteries of the correct size and power.
- 2) Do not mix old and new batteries, different types of batteries (zinc, alkaline or rechargeable).
- 3) If using rechargeable batteries, ensure they are all the same capacity.
- 4) Do not try and charge non-rechargeable batteries.
- 5) Rechargeable batteries should be charged by an Adult or under Adult supervision. Stop charging immediately if you notice any abnormal behaviour.
- 6) Do not throw batteries in the fire.
- 7) Replace all batteries of the same type/brand at the same time.
- 8) The supply terminals are not to be short circuited.
- 9) Remove empty batteries from the product.
- 10) Batteries should be changed by an Adult.
- 11) If the Speed Master Off Road Car is going to be inactive for a long period of time, please remove all batteries.
- 12) For your safety, please operate according to these instructions.

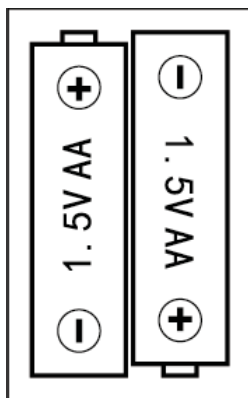
## 1.3 Speed Master Off Road Car Battery Installation



- Turn the Speed Master Off Road Car (6) over so that you can gain access to the underside of the vehicle.
- Making sure that the Power switch (5) is in the OFF position, remove the screw (7) and remove the battery compartment cover.
- Insert 5 AA batteries (supplied) into the battery compartment observing the correct polarity as indicated.
- Re-fit the battery cover and secure with the screw.

**(Warning - Remove the batteries if the Speed Master Off Road Car is not going to be used for a long time.)**

## 1.4 Remote Battery Installation



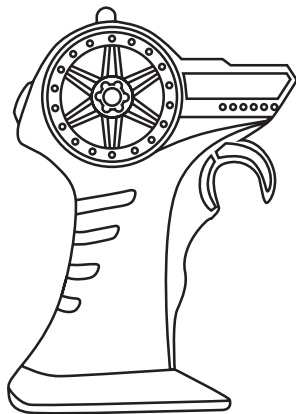
- The battery compartment is located on the bottom of the pistol grip controller.
- Push down and slide the battery compartment cover (9) in the direction indicated to remove it from the controller.
- Insert 2 AA batteries (supplied)(10) into the battery compartment observing the correct polarity as shown.

### **WARNING**

Do not mix old and new batteries.  
Keep batteries away from small children.  
Do not short-circuit batteries or dispose of in a fire.  
Remove the batteries if the Speed Master Off Road Car is not going to be used for a long time.

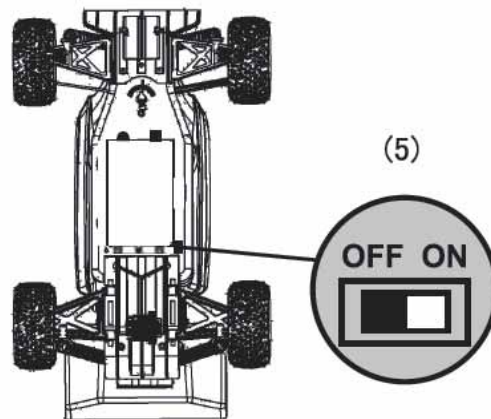
## 2. INSTRUCTIONS PART 1

### 2.1 Setting up the Speed Master Off Road Car



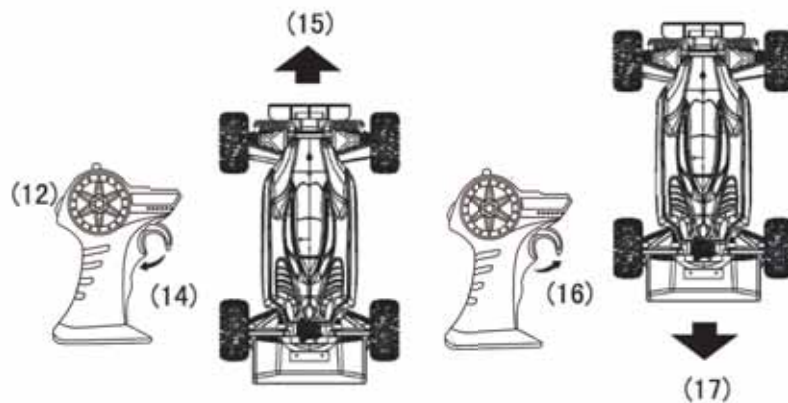
- Add the included batteries into the controller and Speed Master Off Road Car as previously described.

- Switch the power (5) on the underside of the Speed Master Off Road Car to the 'ON' position.
- You are now ready to begin driving.

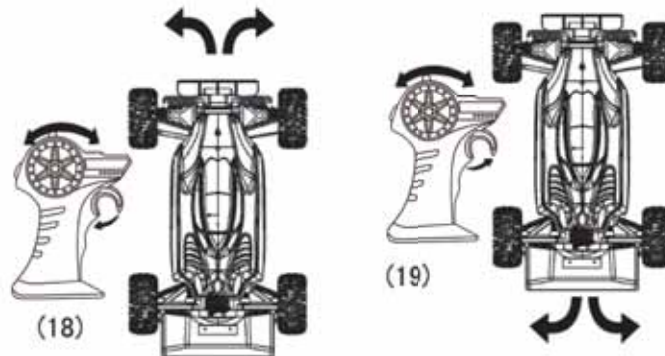


### 3. INSTRUCTIONS PART 2

#### 3.1 Controlling the Speed Master Off Road Car



- In order to make the Speed Master Off Road Car travel forward (15), hold the controller (12) in your hand and pull the accelerator trigger switch towards you (14). The car will begin to travel forward.
- In order to make the Speed Master Off Road Car travel in reverse (17), hold the controller in your hand and push the accelerator trigger away from you (16). The Speed Master Off Road Car will begin to travel backwards.
- Releasing the trigger at any time will result in the Speed Master Off Road Car coming to a full stop.

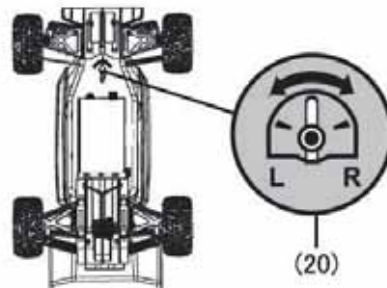


- To make the Speed Master Off Road Car turn you will also need to turn the steering control at the same time as pulling or pushing the accelerator trigger.
- When travelling forwards (18), turn the steering control to the right/away from you to turn right and to the left/towards you to turn left.
- When travelling in reverse (19), you will need to turn the steering control in the opposite direction, E.g. to turn the Speed Master Off Road Car right you will need to turn the steering control to the left/towards you.

## 4. INSTRUCTIONS PART 3

### 4.1 Adjusting the Directional Movement

- It may be necessary to fine tune the steering via the steering adjustment control (20), located on the underside of the Speed Master Off Road Car.
- If while travelling in a straight line you find that the Speed Master Off Road Car strays to the left or right then you will need to adjust the steering control to correct this issue.
- It is best to make several small adjustments to the steering this allows for an accurate adjustment of the steering.
- If the Speed Master Off Road Car strays to the left then you will need to move the steering adjustment to the right (R).
- If the Car strays to the right then you will need to move the steering adjustment to the left (L).



### 4.2 Troubleshooting

If you are experiencing problems with your Speed Master Off Road Car, here are some quick and easy checks that you can carry out, which may help to resolve the problem.

#### **No Response from the Speed Master Off Road Car:**

- Please ensure that the Speed Master Off Road Car is in range of the controller and that there is no obstructions between the controller and the Speed Master Off Road Car which could block the signal.
- Make sure that the batteries in the Pistol Grip Controller are fitted correctly and that they have not reached the end of their life. If required replace the batteries in the controller.
- Make sure that the batteries in the Speed Master Off Road Car are fitted correctly. If required replace the batteries in the Speed Master Off Road Car.
- Please ensure that the power switch on the Speed Master Off Road Car and Pistol Grip Controller is switched to 'ON'.
- Make sure that the antenna is correctly and securely fitted to the Pistol Grip Controller.

#### **The Speed Master Off Road Car does not travel straight:**

- Please adjust the steering using the steering adjustment control located on the underside of the Speed Master Off Road Car.

#### **The Speed Master Off Road Car Starts to Run Slow:**

- The batteries in the Speed Master Off Road Car are running low, please insert new batteries.

# WARRANTY

## Warranty Information

**What is Covered:**

This warranty covers any defects in materials or workmanship, with the exceptions stated below.

**How Long Coverage Lasts:**

This warranty runs for 1 Year from the date your Speed Master Off Road Car is delivered.

**What is not covered:**

Any problem that is caused by abuse, misuse, or an act of God (such as a flood) are not covered.

**What We Will Do:**

If the Product proves defective during the warranty period, we will provide you with the instructions for the return, and we will take one of the following actions: (i) replace the Product with a product that is the same or equivalent to the Product you purchased; (ii) repair the Product; or (iii) refund to you the whole of or part of the purchase price of the Product.

**How To Get Service:**

To obtain instructions on how to obtain service under this warranty, contact our customer service by phone or email. You will find the contact details of our customer service below. Customer service may ask you questions to determine your eligibility under this warranty, and if you are eligible you'll be given instructions for returning the defective Product. If we send you a replacement or repair your Product, we will pay the cost of delivering the replacement or repaired Product to you.

**Do not return the item to the original place of purchase, please contact Think Gizmos direct.**



**Think Gizmos, Unit 19, Lawson Hunt Industrial Park,  
Broadbridge Heath, West Sussex, RH12 3JR**

Tel.: +44/(0)203 384 8304

help@thinkgizmos.com • www.thinkgizmos.com



This equipment has been tested and found to comply with the limits for a Class B digital device, pursuant to part 15 of the FCC Rules. These limits are designed to provide reasonable protection against harmful interference in a residential installation. This equipment generates, uses and can radiate radio frequency energy and, if not installed and used in accordance with the instructions, may cause harmful interference to radio communications. However, there is no guarantee that interference will not occur in a particular installation. If this equipment does cause harmful interference to radio or television reception, which can be determined by turning the equipment off and on, the user is encouraged to try to correct the interference by one or more of the following measures:

- Reorient or relocate the receiving antenna.
- Increase the separation between the equipment and receiver.
- Connect the equipment into an outlet on a circuit different from that to which the receiver is connected.
- Consult the dealer or an experienced radio/TV technician for help.

Caution: Any changes or modifications to this device not explicitly approved by manufacturer could void your authority to operate this equipment.

This device complies with part 15 of the FCC Rules. Operation is subject to the following two conditions: (1) This device may not cause harmful interference, and (2) this device must accept any interference received, including interference that may cause undesired operation.

The device has been evaluated to meet general RF exposure requirement. The device can be used in portable exposure condition without restriction.