





**Table of Contents**

**Revision History ----- 3**

**1. Test Laboratory ----- 4**

**2. Client Information ----- 4**

    2.1 Applicant----- 4

    2.2 Manufacturer----- 4

**3. Equipment Under test(EUT) Information ----- 5**

    3.1 Description of EUT ----- 5

    3.2 Product Photo ----- 6

**4. Measurement Environment ----- 7**

**5. Summary of Test Results ----- 9**

    5.1 Declaration ----- 9

    5.2 Abbreviations and Definitions----- 9

    5.3 Summary Table ----- 10

**6. Description for EUT testing position----- 11**





### 1. Test Laboratory

Test Site	Sporton International Inc. EMC & Wireless Communications Laboratory
Telephone Number	TEL: +886-3-327-3456; FAX: +886-3-328-4978
Address	No.52, Huaya 1st Rd., Guishan Dist., Taoyuan City 333, Taiwan
Chamber	<input type="checkbox"/> OTA01-HY <input type="checkbox"/> OTA03-HY <input type="checkbox"/> OTA04-HY <input checked="" type="checkbox"/> OTA05-HY

: The chamber(s) which used to perform the test in this test report.

### 2. Client Information

#### 2.1 Applicant

Company Name	Mighty Audio, INC.
Address	707 Coeur d'Alene Ave, Venice, CA 90291 USA
Contact Person	Anthony Mendelson / anthony@bemighty.com
Telephone Number	+1 707-592-2122

#### 2.2 Manufacturer

Company Name	Dongguanhung Fu Electronic Technology Co., LTD
Address	ChuTang ChinXiaoTang Industrial Zone, FengGang, DongGuang, GuangDong, China Postcode 523682
Contact Person	Amen Chi / amen_chi@jpcco.com.tw
Telephone Number	TEL: +886-2-8226-3811 FAX: +886-2-8226-3822



### **3. Equipment Under test(EUT) Information**

#### **3.1 Description of EUT**

<b>Product Feature &amp; Specification</b>	
<b>EUT Type</b>	Mighty Audio Device
<b>Brand Name</b>	Mighty
<b>Model Name</b>	M200
<b>Antenna Type</b>	PCB



### 4. Measurement Environment

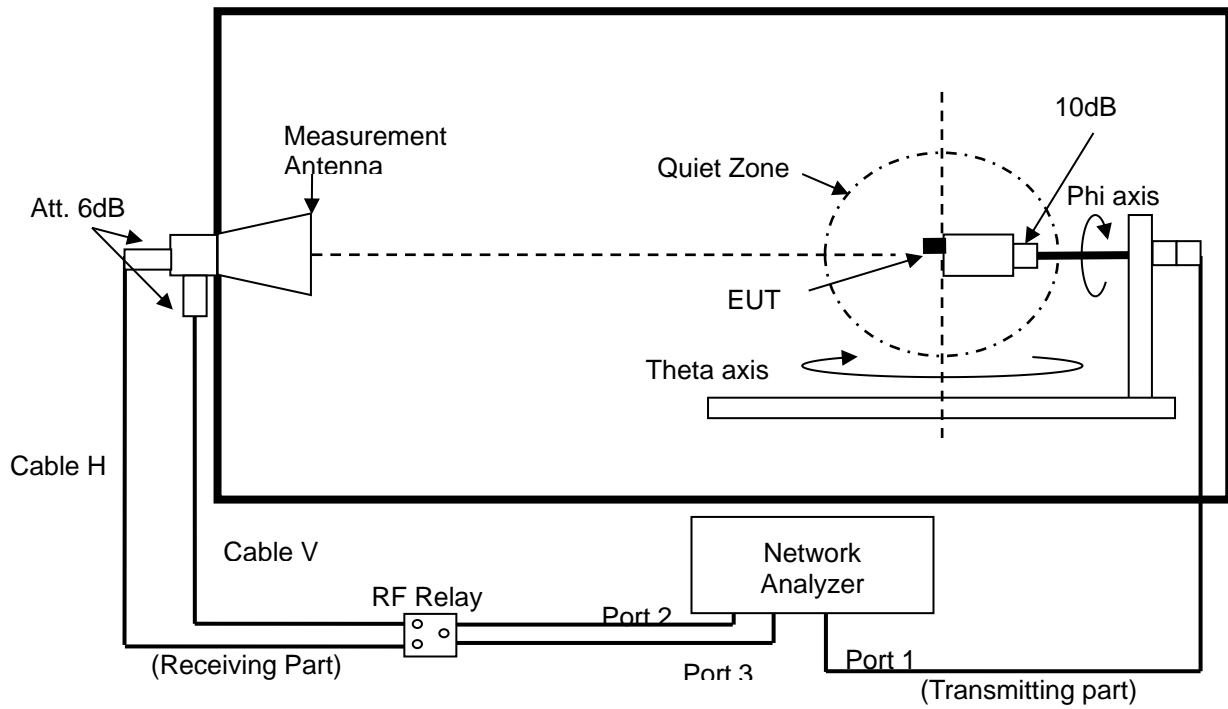
#### Ambient Condition

Temperature (°C):	25°C +/- 5°C	Humidity (%):	<60%
-------------------	--------------	---------------	------

#### Test Equipment List

Name	Manufacturer	Type/Model	Serial Number	Calibration	
				Last Cal.	Due Date
ENA Series Network Analyzer	Keysight	E5071C	MY46106276	2023/03/02	2024/03/01
RF Switch	Keysight	3499A	N/A	NCR	NCR
Multi-Axis Positioner Controller	ETS-Lindgren	2090	N/A	NCR	NCR
Medium-Duty Positioner	ETS-Lindgren	2015	N/A	NCR	NCR
Measurement Horn Antenna	EMCO	3164-10	00239261	NCR	NCR

### Passive measurement setup





## **5. Summary of Test Results**

### **5.1 Declaration**

<b>Declaration of Conformity:</b>
The judgment of conformity in the report is based on the measurement results excluding the measurement uncertainty.
<b>Comments and Explanations:</b>
None

### **5.2 Abbreviations and Definitions**

Please note the following abbreviations in this section:

FS        =        Free Space





5.3 Summary Table

WLAN					
Frequency (MHz)	Ant. Port Input Pwr. (dB )	Gain (dBi)	Directivity (dBi)	Efficiency (dB)	Efficiency (%)
2412	0.0	-2.60	4.35	-6.95	20.17
2437	0.0	-2.30	4.68	-6.98	20.05
2462	0.0	-2.55	4.79	-7.34	18.44
2472	0.0	-3.19	4.47	-7.66	17.13

BT					
Frequency (MHz)	Ant. Port Input Pwr. (dB )	Gain (dBi)	Directivity (dBi)	Efficiency (dB)	Efficiency (%)
2402	0.0	-8.28	5.32	-13.60	4.36
2440	0.0	-6.93	5.63	-12.55	5.55
2480	0.0	-5.31	5.96	-11.27	7.47