

# TABLE OF CONTENTS

<b>Thank You</b>	<b>3</b>
<b>What's Included</b>	<b>4-5</b>
<b>Chair Assembly</b>	<b>6-9</b>
<b>Electronics</b>	<b>10-11</b>
<b>Headphones &amp; Speakers</b>	<b>12</b>
<b>Safety and Certifications</b>	<b>13</b>

# GT THRONE

Victory is sweeter on a throne. Game ON!



Scan this QR code  
for electronics  
setup videos  
and additional  
resources



## THANK YOU!

Thank you for purchasing the GT Throne!

We're confident that this immersive chair will take your gaming experience to a royally different dimension—one where the loot is always bountiful, every kill leads to a streak, and every championship and chicken dinner belongs to you.

A member of our team has personally inspected your package, but if you have any questions, concerns or feedback, please let us know.

If you need additional help assembling your chair and electronics, visit our resources page at [www.gtthrone.com](http://www.gtthrone.com)



[info@gtthrone.com](mailto:info@gtthrone.com)



[@GTThrone](https://twitter.com/GTThrone)



[@gtthrone](https://www.instagram.com/gtthrone)

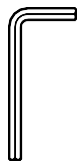
### Chair Parts



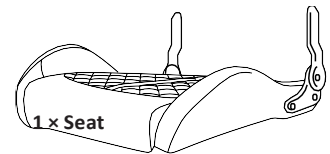
4 x Plastic Screw Covers



4 x Side Cover Screws



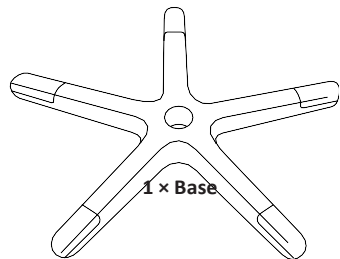
1 x Allen Key



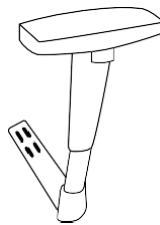
1 x Seat



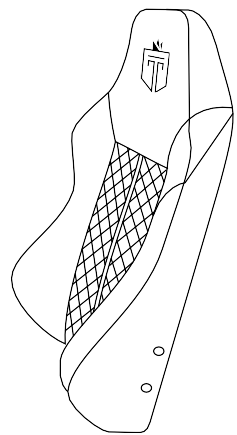
5 x Casters



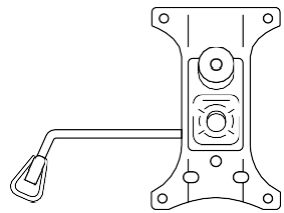
1 x Base



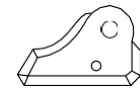
2 x Arm Rest



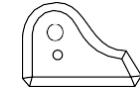
1 x Backrest



1 x Control Unit



1 x Plastic Base Cover (Left)



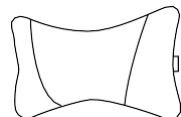
1 x Plastic Base Cover (Right)



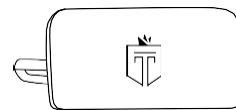
1 x Plastic Side Cover (Left)



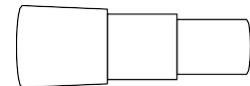
1 x Plastic Side Cover (Right)



1 x Headrest Cushion



1 x Lumbar Cushion

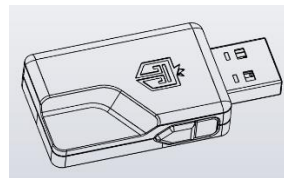


1 x Hydraulic Unit Plastic Cover

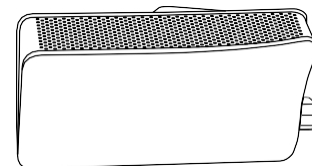


1 x Hydraulic Unit

### Electronics



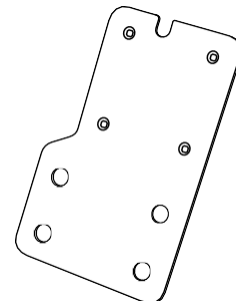
1 x GT Processor  
FCC ID:  
2AK7R-04337



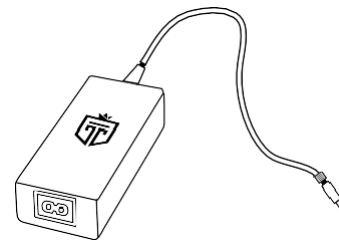
1 x GT Receiver  
FCC ID:  
2AK7R-02661



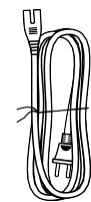
6 x Small Screws



1 x GT Receiver Mounting Plate



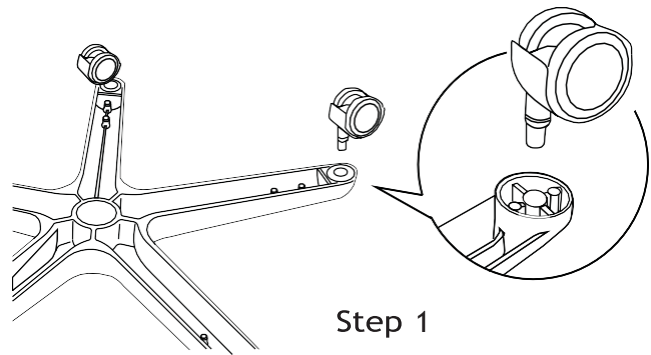
1 x Power Supply



1 x Power Cord

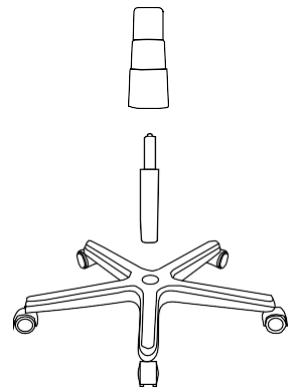


1 x Trip Wire



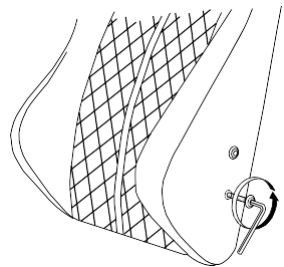
### Step 1

Attach the wheels to the base by pushing and clicking in.



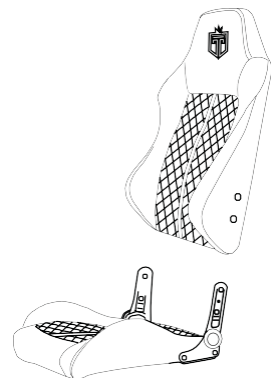
### Step 2

Install the hydraulic pump into the center of the base, with plastic cover sliding onto pump.



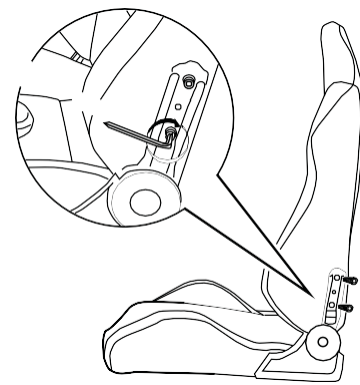
### Step 3

Remove backrest side screws with MS Allen key.



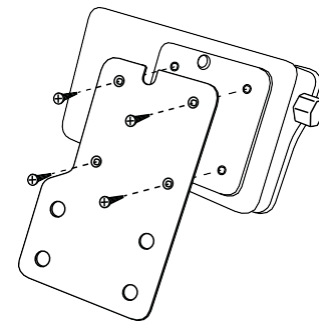
### Step 4

Line up backrest side screw holes with the seat base metal brackets.



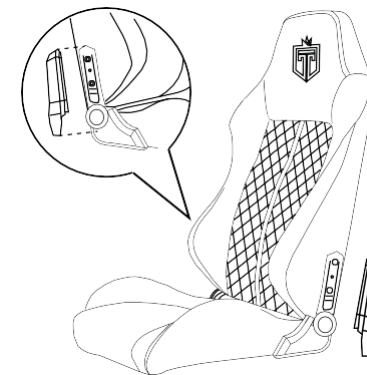
### Step 5

Tighten screws to secure backrest to seat base.



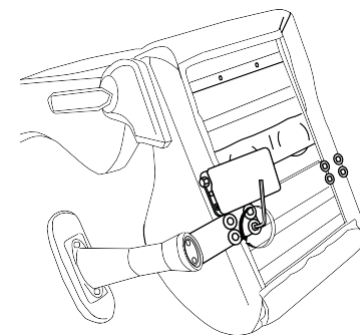
### Step 7

Attach the metal mounting plate to the GT receiver with the 4 small screws included with the mounting plate.



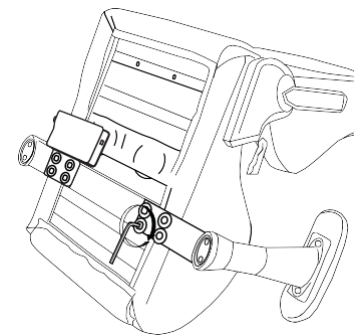
### Step 6

Fix the plastic covers to the sides of the metal brackets. Attach the seat covers first, then click the side covers into the seat cover.



### Step 8

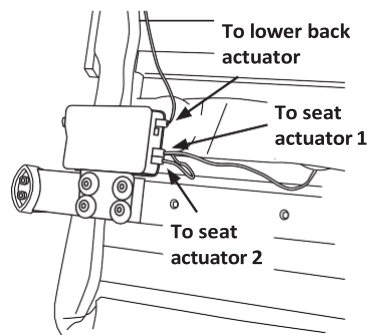
Line up one armrest bracket to the bottom 4 holes on the LEFT side. Place the GT Receiver's bracket on top of the armrest. Using the MS Allen key, tighten the 4 screws with washer on the outside.



### Step 9

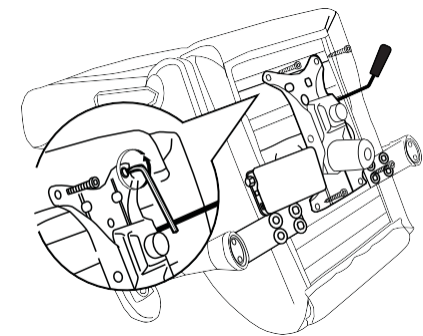
Attach the other armrest on the RIGHT side without the GT Receiver.

*NOTE: the width of the armrest can be decided when screwing into the bottom of the chair*



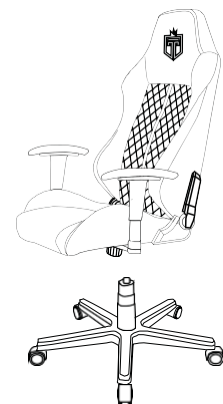
### Step 10

Attach actuator wires to the back of the GT Receiver. The backrest actuator plugs in on the opposite side of the intensity knob. The two seat actuator wires plug into the two ports closet to the front of the chair.



### Step 11

Fix the metal control unit to the base of the seat (4 screws have been fixed to the seat based prior to delivery). Assure the front arrow on the metal control unit faces outward and the control lever is on the right side of the chair.

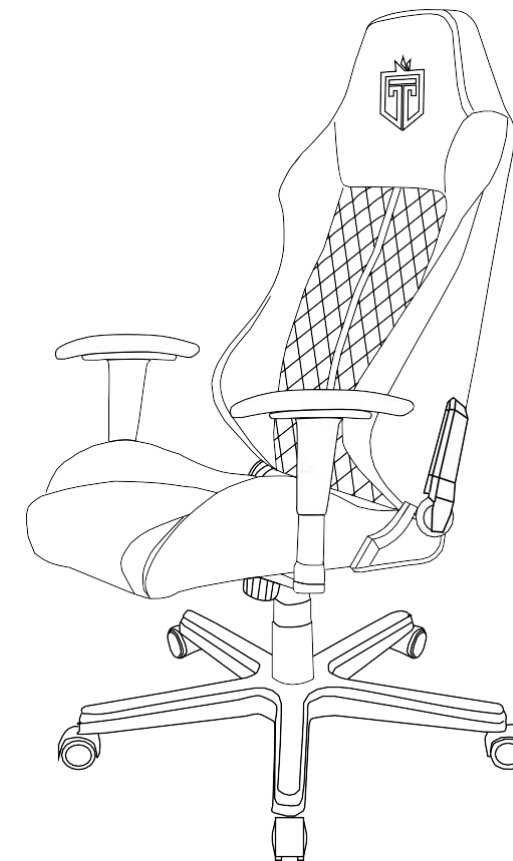


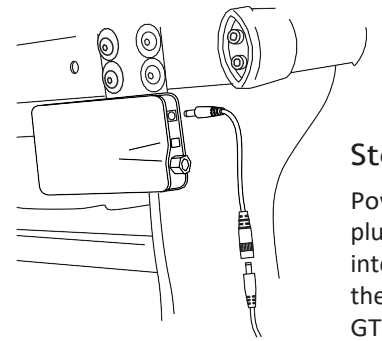
### Step 12

Insert the hydraulic unit into the opening of the control unit.

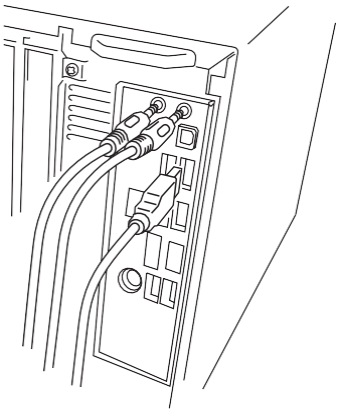
### Finished!

*NOTE: The height of the chair can be controlled with control lever on the right side. The recline of the chair can be controlled by loosening/tightening the knob beneath the seat. Rocking can be locked by pushing in the control lever.*

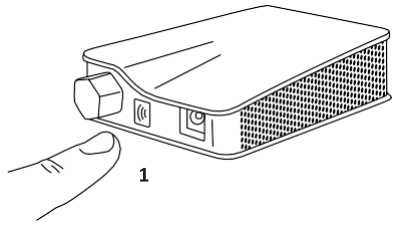
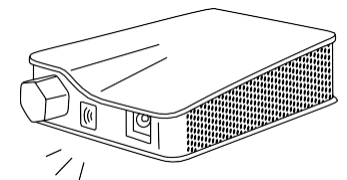




**Step 1**  
Power your chair by plugging the power cord into the GT trip wire. Plug the GT trip wire into the GT receiver.



**Step 2**  
Take the GT USB Processor and plug into an open USB port on your PC.



*The knob on the GT Receiver will control the intensity and frequency of the chair's vibration.*

**Step 4**  
Once both electronics pieces are powered, they should automatically pair and both show green. If they both show red then they will need to be re-paired.

**Step 5**  
PAIRING – turn both pieces on by twisting each knob clockwise. First, push the sync button on the GT Receiver followed by the GT Processor. If they both do not turn green please see our trouble shooting section on the resource page of [www.gtthrone.com](http://www.gtthrone.com)

# HEADPHONES & SPEAKERS

## Digital USB Headphone

A headphone with a USB connection will need to be connected to a USB port on your PC. You will then need to configure your PC to use 2 audio outputs while you are using the GT Throne and a USB headset at the same time. Please see the video on the electronic set-up page at [www.gtthrone.com](http://www.gtthrone.com) with instructions on how to do so on Windows computers.

## USB DEVICE USAGE

Connect USB device to computer. Once chair is powered, press the pairing button. Enjoy the experience!

## CHAIR DEVICE USAGE

Connect chair device to the provided power cord. Press pairing button on USB device. Enjoy the experience!

# Safety and Certifications

Changes or modification to this unit not expressly approved by the party responsible for compliance could void the user's authority to operate the equipment.

## **RF Exposure Information FCC ID:2AK7R-02661**

This equipment complies with FCC radiation exposure limits set forth for an uncontrolled environment. In order to avoid the possibility of exceeding the FCC radio frequency exposure limits, human proximity to the antenna shall not be less than 20 cm during normal operation.

## **RF Exposure Information FCCID: 2AK7R-04337**

This equipment complies with FCC radiation exposure for SAR exclusion limits. This device complies with the SAR exclusion limits at 5mm.

## **Contact Information**

RedSeat Entertainment, LLC.  
6440 South Wasatch Blvd. Ste 105  
Holladay, Utah 84121  
(801)268-4331  
[www.gtthrone.com](http://www.gtthrone.com)



This device complies with Part 15 of the FCC Rules and this device also contains license-exempt transmitter(s)/receiver(s). Operation is subject to the following two conditions: (1) this device may not cause harmful interference, and (2) this device must accept any interference received, including interference that may cause undesired operation. This equipment complies with FCC radiation exposure limits set forth for an uncontrolled environment. This equipment is not in direct contact with the body of the user under normal operating conditions. This transmitter must not be co-located or operating in conjunction with any other antenna or transmitter.



**FCC ID: 2AK7R-02661**

**FCC ID: 2AK7R-04337** This FCC ID number is only located in this manual and on the packaging, not on the device itself.

This equipment has been tested and found to comply with the limits for a Class B digital device, pursuant to part 15 of the FCC Rules. These limits are designed to provide reasonable protection against harmful interference in a residential installation. This equipment generates, uses and can radiate radio frequency energy and, if not installed and used in accordance with the instructions, may cause harmful interference to radio communications. However, there is no guarantee that interference will not occur in a particular installation. If this equipment does cause harmful interference, which can be determined by turning the equipment off and on, the user is encouraged to try to correct the interference by one or more of the following measures:

- Reorient or relocate the device, thus reorienting the receiving antenna.
- Increase the separation between the equipment and receiver.
- Connect the equipment into an outlet on a circuit different from that to which the receiver is connected.
- Consult the dealer or an experienced technician for help

