



LTE Band 25 / 20MHz / QPSK / RB Size 1 Offset 0/ The Worst Test Results for Lowest							
Frequency(MHz)	S G.Lev (dBm)	Ant(dBi)	Loss	PMea	Limit	Margin	Polarity
				(dBm)	(dBm)	(dBm)	
3720.20	-34.38	12.60	12.93	-34.71	-13.00	-21.71	H
5580.33	-34.22	13.10	17.11	-38.23	-13.00	-25.23	H
7439.83	-33.03	11.50	22.20	-43.73	-13.00	-30.73	H
3720.20	-35.90	12.60	12.93	-36.23	-13.00	-23.23	V
5580.33	-34.11	13.10	17.11	-38.12	-13.00	-25.12	V
7439.83	-33.13	11.50	22.20	-43.83	-13.00	-30.83	V
LTE Band 25 / 10MHz / QPSK / RB Size 1 Offset 0/ The Worst Test Results for Middle							
Frequency(MHz)	S G.Lev (dBm)	Ant(dBi)	Loss	PMea	Limit	Margin	Polarity
				(dBm)	(dBm)	(dBm)	
3765.09	-33.91	12.60	12.93	-34.24	-13.00	-21.24	H
5647.20	-35.46	13.10	17.11	-39.47	-13.00	-26.47	H
7530.17	-33.47	11.50	22.20	-44.17	-13.00	-31.17	H
3765.09	-35.37	12.60	12.93	-35.70	-13.00	-22.70	V
5647.20	-33.86	13.10	17.11	-37.87	-13.00	-24.87	V
7530.17	-32.50	11.50	22.20	-43.20	-13.00	-30.20	V
LTE Band 25 / 10MHz / QPSK / RB Size 1 Offset 0/ The Worst Test Results for Highest							
Frequency(MHz)	S G.Lev (dBm)	Ant(dBi)	Loss	PMea	Limit	Margin	Polarity
				(dBm)	(dBm)	(dBm)	
3810.28	-33.78	12.60	12.93	-34.11	-13.00	-21.11	H
5715.18	-35.14	13.10	17.11	-39.15	-13.00	-26.15	H
7619.81	-33.55	11.50	22.20	-44.25	-13.00	-31.25	H
3810.28	-35.83	12.60	12.93	-36.16	-13.00	-23.16	V
5715.18	-34.93	13.10	17.11	-38.94	-13.00	-25.94	V
7619.81	-31.90	11.50	22.20	-42.60	-13.00	-29.60	V



LTE Band 26 / 1.4MHz / QPSK / RB Size 1 Offset 0/ The Worst Test Results for Middle							
Frequency(MHz)	S G.Lev (dBm)	Ant(dBi)	Loss	PMea	Limit	Margin	Polarity
				(dBm)	(dBm)	(dBm)	
1663.14	-33.59	12.80	12.56	-33.35	-13.00	-20.35	H
2494.28	-34.79	13.10	12.46	-34.15	-13.00	-21.15	H
3325.87	-32.76	12.33	21.13	-41.56	-13.00	-28.56	H
1663.14	-34.70	12.80	12.76	-34.66	-13.00	-21.66	V
2494.28	-34.36	13.10	16.32	-37.58	-13.00	-24.58	V
3325.87	-31.79	12.33	21.13	-40.59	-13.00	-27.59	V

LTE Band 26 / 1.4MHz / QPSK / RB Size 1 Offset 0/ The Worst Test Results for Highest							
Frequency(MHz)	S G.Lev (dBm)	Ant(dBi)	Loss	PMea	Limit	Margin	Polarity
				(dBm)	(dBm)	(dBm)	
1696.63	-34.90	12.61	12.56	-34.85	-13.00	-21.85	H
2544.71	-34.47	13.12	12.46	-33.81	-13.00	-20.81	H
3393.08	-33.42	12.32	21.13	-42.23	-13.00	-29.23	H
1696.63	-35.66	12.61	12.76	-35.81	-13.00	-22.81	V
2544.71	-34.65	13.12	16.32	-37.85	-13.00	-24.85	V
3393.08	-32.64	12.32	21.13	-41.45	-13.00	-28.45	V

LTE Band 26 / 3MHz / QPSK / RB Size 1 Offset 0/ The Worst Test Results for Middle							
Frequency(MHz)	S G.Lev (dBm)	Ant(dBi)	Loss	PMea	Limit	Margin	Polarity
				(dBm)	(dBm)	(dBm)	
1662.83	-34.63	12.80	12.56	-34.39	-13.00	-21.39	H
2494.03	-34.57	13.10	12.46	-33.93	-13.00	-20.93	H
3325.98	-33.32	12.33	21.13	-42.12	-13.00	-29.12	H
1662.83	-35.18	12.80	12.76	-35.14	-13.00	-22.14	V
2494.03	-34.18	13.10	16.32	-37.40	-13.00	-24.40	V
3325.98	-32.02	12.33	21.13	-40.82	-13.00	-27.82	V

LTE Band 26 / 3MHz / QPSK / RB Size 1 Offset 0/ The Worst Test Results for Highest							
Frequency(MHz)	S G.Lev (dBm)	Ant(dBi)	Loss	PMea	Limit	Margin	Polarity
				(dBm)	(dBm)	(dBm)	
1695.77	-33.88	12.61	12.56	-33.83	-13.00	-20.83	H
2542.37	-34.37	13.12	12.46	-33.71	-13.00	-20.71	H
3390.16	-33.14	12.32	21.13	-41.95	-13.00	-28.95	H
1695.77	-34.99	12.61	12.76	-35.14	-13.00	-22.14	V
2542.37	-34.41	13.12	16.32	-37.61	-13.00	-24.61	V
3390.16	-32.51	12.32	21.13	-41.32	-13.00	-28.32	V



LTE Band 26 / 5MHz / QPSK / RB Size 1 Offset 0/ The Worst Test Results for Middle							
Frequency(MHz)	S G.Lev (dBm)	Ant(dBi)	Loss	PMea	Limit	Margin	Polarity
				(dBm)	(dBm)	(dBm)	
1662.86	-33.89	12.80	12.56	-33.65	-13.00	-20.65	H
2494.10	-34.85	13.10	12.46	-34.21	-13.00	-21.21	H
3326.23	-32.64	12.33	21.13	-41.44	-13.00	-28.44	H
1662.86	-35.97	12.80	12.76	-35.93	-13.00	-22.93	V
2494.10	-35.16	13.10	16.32	-38.38	-13.00	-25.38	V
3326.23	-32.55	12.33	21.13	-41.35	-13.00	-28.35	V

LTE Band 26 / 5MHz / QPSK / RB Size 1 Offset 0/ The Worst Test Results for Highest							
Frequency(MHz)	S G.Lev (dBm)	Ant(dBi)	Loss	PMea	Limit	Margin	Polarity
				(dBm)	(dBm)	(dBm)	
1693.64	-34.28	12.61	12.56	-34.23	-13.00	-21.23	H
2539.13	-34.35	13.12	12.46	-33.69	-13.00	-20.69	H
3386.28	-32.77	12.32	21.13	-41.58	-13.00	-28.58	H
1693.64	-35.00	12.61	12.76	-35.15	-13.00	-22.15	V
2539.13	-33.86	13.12	16.32	-37.06	-13.00	-24.06	V
3386.28	-32.17	12.32	21.13	-40.98	-13.00	-27.98	V

LTE Band 26 / 10MHz / QPSK / RB Size 1 Offset 0/ The Worst Test Results for Middle							
Frequency(MHz)	S G.Lev (dBm)	Ant(dBi)	Loss	PMea	Limit	Margin	Polarity
				(dBm)	(dBm)	(dBm)	
1663.22	-34.48	12.80	12.56	-34.24	-13.00	-21.24	H
2493.81	-34.03	13.10	12.46	-33.39	-13.00	-20.39	H
3326.25	-32.75	12.33	21.13	-41.55	-13.00	-28.55	H
1663.22	-35.66	12.80	12.76	-35.62	-13.00	-22.62	V
2493.81	-34.79	13.10	16.32	-38.01	-13.00	-25.01	V
3326.25	-31.72	12.33	21.13	-40.52	-13.00	-27.52	V

LTE Band 26 / 10MHz / QPSK / RB Size 1 Offset 0/ The Worst Test Results for Highest							
Frequency(MHz)	S G.Lev (dBm)	Ant(dBi)	Loss	PMea	Limit	Margin	Polarity
				(dBm)	(dBm)	(dBm)	
1688.64	-34.79	12.61	12.56	-34.74	-13.00	-21.74	H
2532.15	-35.12	13.12	12.46	-34.46	-13.00	-21.46	H
3376.26	-32.91	12.32	21.13	-41.72	-13.00	-28.72	H
1688.64	-35.26	12.61	12.76	-35.41	-13.00	-22.41	V
2532.15	-34.14	13.12	16.32	-37.34	-13.00	-24.34	V
3376.26	-33.00	12.32	21.13	-41.81	-13.00	-28.81	V



LTE Band 26 / 15MHz / QPSK / RB Size 1 Offset 0/ The Worst Test Results for Middle							
Frequency(MHz)	S G.Lev (dBm)	Ant(dBi)	Loss	PMea	Limit	Margin	Polarity
				(dBm)	(dBm)	(dBm)	
1663.25	-34.56	12.80	12.56	-34.32	-13.00	-21.32	H
2494.24	-35.48	13.10	12.46	-34.84	-13.00	-21.84	H
3325.84	-32.29	12.33	21.13	-41.09	-13.00	-28.09	H
1663.25	-35.79	12.80	12.76	-35.75	-13.00	-22.75	V
2494.24	-34.72	13.10	16.32	-37.94	-13.00	-24.94	V
3325.84	-32.32	12.33	21.13	-41.12	-13.00	-28.12	V
LTE Band 26 / 15MHz / QPSK / RB Size 1 Offset 0/ The Worst Test Results for Highest							
Frequency(MHz)	S G.Lev (dBm)	Ant(dBi)	Loss	PMea	Limit	Margin	Polarity
				(dBm)	(dBm)	(dBm)	
1683.57	-34.30	12.61	12.56	-34.25	-13.00	-21.25	H
2524.35	-35.28	13.12	12.46	-34.62	-13.00	-21.62	H
3366.37	-32.71	12.32	21.13	-41.52	-13.00	-28.52	H
1683.57	-35.07	12.61	12.76	-35.22	-13.00	-22.22	V
2524.35	-34.18	13.12	16.32	-37.38	-13.00	-24.38	V
3366.37	-32.31	12.32	21.13	-41.12	-13.00	-28.12	V



LTE Band 26(Part 90) / 1.4MHz / QPSK / RB Size 1 Offset 0/ The Worst Test Results for Lowest

Frequency(MHz)	S G.Lev (dBm)	Ant(dBi)	Loss	PMea	Limit	Margin	Polarity
				(dBm)	(dBm)	(dBm)	
1629.29	-34.84	12.90	12.56	-34.50	-13.00	-21.50	H
2444.28	-34.89	13.10	12.46	-34.25	-13.00	-21.25	H
3258.58	-32.64	12.33	21.13	-41.44	-13.00	-28.44	H
1629.29	-35.57	12.90	12.76	-35.43	-13.00	-22.43	V
2444.28	-34.01	13.10	16.32	-37.23	-13.00	-24.23	V
3258.58	-32.13	12.33	21.13	-40.93	-13.00	-27.93	V

LTE Band 26(Part 90) / 3MHz / QPSK / RB Size 1 Offset 0/ The Worst Test Results for Lowest

Frequency(MHz)	S G.Lev (dBm)	Ant(dBi)	Loss	PMea	Limit	Margin	Polarity
				(dBm)	(dBm)	(dBm)	
1631.16	-34.37	12.90	12.56	-34.03	-13.00	-21.03	H
2446.37	-34.17	13.10	12.46	-33.53	-13.00	-20.53	H
3262.47	-33.25	12.33	21.13	-42.05	-13.00	-29.05	H
1631.16	-34.68	12.90	12.76	-34.54	-13.00	-21.54	V
2446.37	-34.26	13.10	16.32	-37.48	-13.00	-24.48	V
3262.47	-32.42	12.33	21.13	-41.22	-13.00	-28.22	V

LTE Band 26(Part 90) / 5MHz / QPSK / RB Size 1 Offset 0/ The Worst Test Results for Lowest

Frequency(MHz)	S G.Lev (dBm)	Ant(dBi)	Loss	PMea	Limit	Margin	Polarity
				(dBm)	(dBm)	(dBm)	
1633.33	-33.48	12.90	12.56	-33.14	-13.00	-20.14	H
2499.22	-34.43	13.10	12.46	-33.79	-13.00	-20.79	H
3266.53	-33.59	12.33	21.13	-42.39	-13.00	-29.39	H
1633.33	-34.57	12.90	12.76	-34.43	-13.00	-21.43	V
2499.22	-34.82	13.10	16.32	-38.04	-13.00	-25.04	V
3266.53	-33.05	12.33	21.13	-41.85	-13.00	-28.85	V

LTE Band 26(Part 90) / 10MHz / QPSK / RB Size 1 Offset 0/ The Worst Test Results for Lowest

Frequency(MHz)	S G.Lev (dBm)	Ant(dBi)	Loss	PMea	Limit	Margin	Polarity
				(dBm)	(dBm)	(dBm)	
1640.23	-34.93	12.90	12.56	-34.59	-13.00	-21.59	H
2460.23	-35.11	13.10	12.46	-34.47	-13.00	-21.47	H
3280.86	-32.92	12.33	21.13	-41.72	-13.00	-28.72	H
1640.23	-34.66	12.90	12.76	-34.52	-13.00	-21.52	V
2460.23	-34.38	13.10	16.32	-37.60	-13.00	-24.60	V
3280.86	-32.43	12.33	21.13	-41.23	-13.00	-28.23	V



LTE Band 41 / 5MHz / QPSK / RB Size 1 Offset 0/ The Worst Test Results for Lowest							
Frequency(MHz)	S G.Lev (dBm)	Ant(dBi)	Loss	PMea	Limit	Margin	Polarity
				(dBm)	(dBm)	(dBm)	
4996.88	-34.20	12.66	12.54	-34.08	-25.00	-9.08	H
7495.72	-34.09	11.46	12.57	-35.20	-25.00	-10.20	H
9994.43	-33.50	12.79	21.23	-41.94	-25.00	-16.94	H
4996.87	-34.72	12.66	12.54	-34.60	-25.00	-9.60	V
7495.54	-34.42	11.46	12.57	-35.53	-25.00	-10.53	V
9994.18	-32.00	12.79	21.23	-40.44	-25.00	-15.44	V
LTE Band 41 / 5MHz / QPSK / RB Size 1 Offset 0/ The Worst Test Results for Middle							
Frequency(MHz)	S G.Lev (dBm)	Ant(dBi)	Loss	PMea	Limit	Margin	Polarity
				(dBm)	(dBm)	(dBm)	
5186.22	-33.99	12.72	12.55	-33.82	-25.00	-8.82	H
7779.05	-35.19	11.46	12.57	-36.30	-25.00	-11.30	H
10372.02	-33.47	12.09	21.25	-42.63	-25.00	-17.63	H
5186.22	-35.90	12.80	12.55	-35.65	-25.00	-10.65	V
7779.05	-34.50	13.10	12.57	-33.97	-25.00	-8.97	V
10372.02	-33.04	12.33	21.25	-41.96	-25.00	-16.96	V
LTE Band 41 / 5MHz / QPSK / RB Size 1 Offset 0/ The Worst Test Results for Highest							
Frequency(MHz)	S G.Lev (dBm)	Ant(dBi)	Loss	PMea	Limit	Margin	Polarity
				(dBm)	(dBm)	(dBm)	
5374.87	-34.16	12.76	12.57	-33.97	-25.00	-8.97	H
8062.18	-35.20	11.45	12.58	-36.33	-25.00	-11.33	H
10750.16	-32.48	12.28	21.27	-41.47	-25.00	-16.47	H
5374.87	-35.04	12.76	12.57	-34.85	-25.00	-9.85	V
8062.18	-35.20	11.45	12.58	-36.33	-25.00	-11.33	V
10750.16	-31.89	12.28	21.27	-40.88	-25.00	-15.88	V



LTE Band 41 / 10MHz / QPSK / RB Size 1 Offset 0/ The Worst Test Results for Lowest							
Frequency(MHz)	S G.Lev (dBm)	Ant(dBi)	Loss	PMea	Limit	Margin	Polarity
				(dBm)	(dBm)	(dBm)	
5002.15	-34.79	12.66	12.54	-34.67	-25.00	-9.67	H
7503.07	-34.52	11.46	12.57	-35.63	-25.00	-10.63	H
10004.28	-33.59	12.79	21.23	-42.03	-25.00	-17.03	H
5002.15	-35.65	12.66	12.54	-35.53	-25.00	-10.53	V
7503.07	-35.06	11.46	12.57	-36.17	-25.00	-11.17	V
10004.28	-32.84	12.79	21.23	-41.28	-25.00	-16.28	V
LTE Band 41 / 10MHz / QPSK / RB Size 1 Offset 0/ The Worst Test Results for Middle							
Frequency(MHz)	S G.Lev (dBm)	Ant(dBi)	Loss	PMea	Limit	Margin	Polarity
				(dBm)	(dBm)	(dBm)	
5186.56	-33.53	12.72	12.55	-33.36	-25.00	-8.36	H
7779.76	-35.34	11.46	12.57	-36.45	-25.00	-11.45	H
10371.03	-32.75	12.09	21.25	-41.91	-25.00	-16.91	H
5186.56	-35.40	12.80	12.55	-35.15	-25.00	-10.15	V
7779.76	-34.31	13.10	12.57	-33.78	-25.00	-8.78	V
10371.03	-31.75	12.33	21.25	-40.67	-25.00	-15.67	V
LTE Band 41 / 10MHz / QPSK / RB Size 1 Offset 0/ The Worst Test Results for Highest							
Frequency(MHz)	S G.Lev (dBm)	Ant(dBi)	Loss	PMea	Limit	Margin	Polarity
				(dBm)	(dBm)	(dBm)	
5370.56	-33.74	12.76	12.57	-33.55	-25.00	-8.55	H
8055.96	-34.13	11.45	12.58	-35.26	-25.00	-10.26	H
10740.23	-33.01	12.28	21.27	-42.00	-25.00	-17.00	H
5370.56	-34.88	12.76	12.57	-34.69	-25.00	-9.69	V
8055.96	-35.07	11.45	12.58	-36.20	-25.00	-11.20	V
10740.23	-32.13	12.28	21.27	-41.12	-25.00	-16.12	V



LTE Band 41 / 15MHz / QPSK / RB Size 1 Offset 0/ The Worst Test Results for Lowest							
Frequency(MHz)	S G.Lev (dBm)	Ant(dBi)	Loss	PMea	Limit	Margin	Polarity
				(dBm)	(dBm)	(dBm)	
5007.08	-33.66	12.66	12.54	-33.54	-25.00	-8.54	H
7510.47	-34.00	11.46	12.57	-35.11	-25.00	-10.11	H
10014.68	-32.36	12.79	21.23	-40.80	-25.00	-15.80	H
5007.08	-35.60	12.66	12.54	-35.48	-25.00	-10.48	V
7510.47	-34.21	11.46	12.57	-35.32	-25.00	-10.32	V
10014.68	-33.14	12.79	21.23	-41.58	-25.00	-16.58	V
LTE Band 41 / 5MHz / QPSK / RB Size 1 Offset 0/ The Worst Test Results for Middle							
Frequency(MHz)	S G.Lev (dBm)	Ant(dBi)	Loss	PMea	Limit	Margin	Polarity
				(dBm)	(dBm)	(dBm)	
5185.67	-33.73	12.72	12.55	-33.56	-25.00	-8.56	H
7778.79	-34.91	11.46	12.57	-36.02	-25.00	-11.02	H
10372.45	-32.25	12.09	21.25	-41.41	-25.00	-16.41	H
5185.67	-35.57	12.80	12.55	-35.32	-25.00	-10.32	V
7778.79	-35.17	13.10	12.57	-34.64	-25.00	-9.64	V
10372.45	-32.53	12.33	21.25	-41.45	-25.00	-16.45	V
LTE Band 41 / 5MHz / QPSK / RB Size 1 Offset 0/ The Worst Test Results for Highest							
Frequency(MHz)	S G.Lev (dBm)	Ant(dBi)	Loss	PMea	Limit	Margin	Polarity
				(dBm)	(dBm)	(dBm)	
5365.44	-34.21	12.76	12.57	-34.02	-25.00	-9.02	H
8047.10	-34.93	11.45	12.58	-36.06	-25.00	-11.06	H
10730.40	-32.20	12.28	21.27	-41.19	-25.00	-16.19	H
5365.44	-35.89	12.76	12.57	-35.70	-25.00	-10.70	V
8047.10	-34.87	11.45	12.58	-36.00	-25.00	-11.00	V
10730.40	-31.75	12.28	21.27	-40.74	-25.00	-15.74	V





LTE Band 41 / 20MHz / QPSK / RB Size 1 Offset 0/ The Worst Test Results for Lowest							
Frequency(MHz)	S G.Lev (dBm)	Ant(dBi)	Loss	PMea	Limit	Margin	Polarity
				(dBm)	(dBm)	(dBm)	
5012.31	-34.36	12.66	12.54	-34.24	-25.00	-9.24	H
7518.45	-34.92	11.46	12.57	-36.03	-25.00	-11.03	H
10024.30	-32.17	12.79	21.23	-40.61	-25.00	-15.61	H
5012.31	-35.12	12.66	12.54	-35.00	-25.00	-10.00	V
7518.45	-34.55	11.46	12.57	-35.66	-25.00	-10.66	V
10024.30	-32.90	12.79	21.23	-41.34	-25.00	-16.34	V
LTE Band 41 / 20MHz / QPSK / RB Size 1 Offset 0/ The Worst Test Results for Middle							
Frequency(MHz)	S G.Lev (dBm)	Ant(dBi)	Loss	PMea	Limit	Margin	Polarity
				(dBm)	(dBm)	(dBm)	
5186.11	-34.78	12.72	12.55	-34.61	-25.00	-9.61	H
7779.06	-34.91	11.46	12.57	-36.02	-25.00	-11.02	H
10372.18	-32.95	12.09	21.25	-42.11	-25.00	-17.11	H
5186.11	-34.80	12.80	12.55	-34.55	-25.00	-9.55	V
7779.06	-34.03	13.10	12.57	-33.50	-25.00	-8.50	V
10372.18	-32.91	12.33	21.25	-41.83	-25.00	-16.83	V
LTE Band 41 / 20MHz / QPSK / RB Size 1 Offset 0/ The Worst Test Results for Highest							
Frequency(MHz)	S G.Lev (dBm)	Ant(dBi)	Loss	PMea	Limit	Margin	Polarity
				(dBm)	(dBm)	(dBm)	
5359.74	-33.44	12.76	12.57	-33.25	-25.00	-8.25	H
8040.47	-35.16	11.45	12.58	-36.29	-25.00	-11.29	H
10720.09	-32.30	12.28	21.27	-41.29	-25.00	-16.29	H
5359.74	-36.00	12.76	12.57	-35.81	-25.00	-10.81	V
8040.47	-35.00	11.45	12.58	-36.13	-25.00	-11.13	V
10720.09	-32.70	12.28	21.27	-41.69	-25.00	-16.69	V



LTE Band 66 / 1.4MHz / QPSK / RB Size 1 Offset 0/ The Worst Test Results for Lowest							
Frequency(MHz)	S G.Lev (dBm)	Ant(dBi)	Loss	PMea	Limit	Margin	Polarity
				(dBm)	(dBm)	(dBm)	
3421.44	-33.48	12.90	12.56	-33.14	-13.00	-20.14	H
5132.06	-34.81	13.10	12.46	-34.17	-13.00	-21.17	H
6842.84	-33.09	12.33	21.13	-41.89	-13.00	-28.89	H
3421.44	-35.12	12.90	12.76	-34.98	-13.00	-21.98	V
5132.06	-34.96	13.10	16.32	-38.18	-13.00	-25.18	V
6842.84	-32.99	12.33	21.13	-41.79	-13.00	-28.79	V
LTE Band 66 / 1.4MHz / QPSK / RB Size 1 Offset 0/ The Worst Test Results for Middle							
Frequency(MHz)	S G.Lev (dBm)	Ant(dBi)	Loss	PMea	Limit	Margin	Polarity
				(dBm)	(dBm)	(dBm)	
3489.88	-33.89	12.80	12.56	-33.65	-13.00	-20.65	H
5235.24	-34.05	13.10	12.46	-33.41	-13.00	-20.41	H
6979.94	-33.29	12.33	21.13	-42.09	-13.00	-29.09	H
3489.88	-35.94	12.80	12.76	-35.90	-13.00	-22.90	V
5235.24	-34.10	13.10	16.32	-37.32	-13.00	-24.32	V
6979.94	-33.11	12.33	21.13	-41.91	-13.00	-28.91	V
LTE Band 66 / 1.4MHz / QPSK / RB Size 1 Offset 0/ The Worst Test Results for Highest							
Frequency(MHz)	S G.Lev (dBm)	Ant(dBi)	Loss	PMea	Limit	Margin	Polarity
				(dBm)	(dBm)	(dBm)	
3558.02	-34.39	12.61	12.56	-34.34	-13.00	-21.34	H
5336.83	-34.86	13.12	12.46	-34.20	-13.00	-21.20	H
7116.97	-33.27	12.32	21.13	-42.08	-13.00	-29.08	H
3558.02	-35.10	12.61	12.76	-35.25	-13.00	-22.25	V
5336.83	-35.02	13.12	16.32	-38.22	-13.00	-25.22	V
7116.97	-32.74	12.32	21.13	-41.55	-13.00	-28.55	V



LTE Band 66 / 3MHz / QPSK / RB Size 1 Offset 0/ The Worst Test Results for Lowest							
Frequency(MHz)	S G.Lev (dBm)	Ant(dBi)	Loss	PMea	Limit	Margin	Polarity
				(dBm)	(dBm)	(dBm)	
3423.18	-34.41	12.90	12.56	-34.07	-13.00	-21.07	H
5134.55	-34.65	13.10	12.46	-34.01	-13.00	-21.01	H
6845.92	-32.44	12.33	21.13	-41.24	-13.00	-28.24	H
3423.18	-35.54	12.90	12.76	-35.40	-13.00	-22.40	V
5134.55	-34.11	13.10	16.32	-37.33	-13.00	-24.33	V
6845.92	-32.45	12.33	21.13	-41.25	-13.00	-28.25	V
LTE Band 66 / 3MHz / QPSK / RB Size 1 Offset 0/ The Worst Test Results for Middle							
Frequency(MHz)	S G.Lev (dBm)	Ant(dBi)	Loss	PMea	Limit	Margin	Polarity
				(dBm)	(dBm)	(dBm)	
3490.26	-34.62	12.80	12.56	-34.38	-13.00	-21.38	H
5235.02	-35.40	13.10	12.46	-34.76	-13.00	-21.76	H
6980.12	-32.45	12.33	21.13	-41.25	-13.00	-28.25	H
3490.26	-34.57	12.80	12.76	-34.53	-13.00	-21.53	V
5235.02	-33.91	13.10	16.32	-37.13	-13.00	-24.13	V
6980.12	-32.22	12.33	21.13	-41.02	-13.00	-28.02	V
LTE Band 66 / 3MHz / QPSK / RB Size 1 Offset 0/ The Worst Test Results for Highest							
Frequency(MHz)	S G.Lev (dBm)	Ant(dBi)	Loss	PMea	Limit	Margin	Polarity
				(dBm)	(dBm)	(dBm)	
3556.91	-33.51	12.61	12.56	-33.46	-13.00	-20.46	H
5262.49	-34.24	13.12	12.46	-33.58	-13.00	-20.58	H
7113.91	-32.26	12.32	21.13	-41.07	-13.00	-28.07	H
3556.91	-35.05	12.61	12.76	-35.20	-13.00	-22.20	V
5262.49	-34.35	13.12	16.32	-37.55	-13.00	-24.55	V
7113.91	-31.72	12.32	21.13	-40.53	-13.00	-27.53	V



LTE Band 66 / 5MHz / QPSK / RB Size 1 Offset 0/ The Worst Test Results for Lowest							
Frequency(MHz)	S G.Lev (dBm)	Ant(dBi)	Loss	PMea	Limit	Margin	Polarity
				(dBm)	(dBm)	(dBm)	
3425.45	-34.29	12.90	12.56	-33.95	-13.00	-20.95	H
5137.10	-34.60	13.10	12.46	-33.96	-13.00	-20.96	H
6850.21	-32.42	12.33	21.13	-41.22	-13.00	-28.22	H
3425.45	-35.03	12.90	12.76	-34.89	-13.00	-21.89	V
5137.10	-34.25	13.10	16.32	-37.47	-13.00	-24.47	V
6850.21	-32.17	12.33	21.13	-40.97	-13.00	-27.97	V
LTE Band 66 / 5MHz / QPSK / RB Size 1 Offset 0/ The Worst Test Results for Middle							
Frequency(MHz)	S G.Lev (dBm)	Ant(dBi)	Loss	PMea	Limit	Margin	Polarity
				(dBm)	(dBm)	(dBm)	
3490.03	-33.90	12.80	12.56	-33.66	-13.00	-20.66	H
5234.95	-35.41	13.10	12.46	-34.77	-13.00	-21.77	H
6980.08	-33.49	12.33	21.13	-42.29	-13.00	-29.29	H
3490.03	-34.67	12.80	12.76	-34.63	-13.00	-21.63	V
5234.95	-34.05	13.10	16.32	-37.27	-13.00	-24.27	V
6980.08	-32.56	12.33	21.13	-41.36	-13.00	-28.36	V
LTE Band 66 / 5MHz / QPSK / RB Size 1 Offset 0/ The Worst Test Results for Highest							
Frequency(MHz)	S G.Lev (dBm)	Ant(dBi)	Loss	PMea	Limit	Margin	Polarity
				(dBm)	(dBm)	(dBm)	
3557.97	-34.08	12.61	12.56	-34.03	-13.00	-21.03	H
52354.12	-34.16	13.12	12.46	-33.50	-13.00	-20.50	H
7109.98	-33.45	12.32	21.13	-42.26	-13.00	-29.26	H
3557.97	-35.04	12.61	12.76	-35.19	-13.00	-22.19	V
52354.12	-35.10	13.12	16.32	-38.30	-13.00	-25.30	V
7109.98	-32.90	12.32	21.13	-41.71	-13.00	-28.71	V



LTE Band 66 / 10MHz / QPSK / RB Size 1 Offset 0/ The Worst Test Results for Lowest							
Frequency(MHz)	S G.Lev (dBm)	Ant(dBi)	Loss	PMea	Limit	Margin	Polarity
				(dBm)	(dBm)	(dBm)	
3430.08	-34.94	12.90	12.56	-34.60	-13.00	-21.60	H
5145.20	-35.41	13.10	12.46	-34.77	-13.00	-21.77	H
6880.06	-33.15	12.33	21.13	-41.95	-13.00	-28.95	H
3430.08	-35.09	12.90	12.76	-34.95	-13.00	-21.95	V
5145.20	-33.86	13.10	16.32	-37.08	-13.00	-24.08	V
6880.06	-31.79	12.33	21.13	-40.59	-13.00	-27.59	V
LTE Band 66 / 10MHz / QPSK / RB Size 1 Offset 0/ The Worst Test Results for Middle							
Frequency(MHz)	S G.Lev (dBm)	Ant(dBi)	Loss	PMea	Limit	Margin	Polarity
				(dBm)	(dBm)	(dBm)	
3489.84	-34.17	12.80	12.56	-33.93	-13.00	-20.93	H
5235.26	-35.39	13.10	12.46	-34.75	-13.00	-21.75	H
6979.84	-33.51	12.33	21.13	-42.31	-13.00	-29.31	H
3489.84	-34.85	12.80	12.76	-34.81	-13.00	-21.81	V
5235.26	-34.72	13.10	16.32	-37.94	-13.00	-24.94	V
6979.84	-33.05	12.33	21.13	-41.85	-13.00	-28.85	V
LTE Band 66 / 10MHz / QPSK / RB Size 1 Offset 0/ The Worst Test Results for Highest							
Frequency(MHz)	S G.Lev (dBm)	Ant(dBi)	Loss	PMea	Limit	Margin	Polarity
				(dBm)	(dBm)	(dBm)	
3550.67	-33.96	12.61	12.56	-33.91	-13.00	-20.91	H
5235.17	-34.14	13.12	12.46	-33.48	-13.00	-20.48	H
7100.19	-33.11	12.32	21.13	-41.92	-13.00	-28.92	H
3550.67	-35.48	12.61	12.76	-35.63	-13.00	-22.63	V
5235.17	-34.06	13.12	16.32	-37.26	-13.00	-24.26	V
7100.19	-32.60	12.32	21.13	-41.41	-13.00	-28.41	V



LTE Band 66 / 15MHz / QPSK / RB Size 1 Offset 0/ The Worst Test Results for Lowest							
Frequency(MHz)	S G.Lev (dBm)	Ant(dBi)	Loss	PMea	Limit	Margin	Polarity
				(dBm)	(dBm)	(dBm)	
3435.06	-34.52	12.90	12.56	-34.18	-13.00	-21.18	H
5152.42	-34.08	13.10	12.46	-33.44	-13.00	-20.44	H
6869.99	-32.93	12.33	21.13	-41.73	-13.00	-28.73	H
3435.06	-34.92	12.90	12.76	-34.78	-13.00	-21.78	V
5152.42	-33.84	13.10	16.32	-37.06	-13.00	-24.06	V
6869.99	-32.73	12.33	21.13	-41.53	-13.00	-28.53	V
LTE Band 66 / 5MHz / QPSK / RB Size 1 Offset 0/ The Worst Test Results for Middle							
Frequency(MHz)	S G.Lev (dBm)	Ant(dBi)	Loss	PMea	Limit	Margin	Polarity
				(dBm)	(dBm)	(dBm)	
3489.91	-33.45	12.80	12.56	-33.21	-13.00	-20.21	H
5234.82	-34.67	13.10	12.46	-34.03	-13.00	-21.03	H
6979.86	-33.44	12.33	21.13	-42.24	-13.00	-29.24	H
3489.91	-35.24	12.80	12.76	-35.20	-13.00	-22.20	V
5234.82	-33.98	13.10	16.32	-37.20	-13.00	-24.20	V
6979.86	-32.82	12.33	21.13	-41.62	-13.00	-28.62	V
LTE Band 66 / 5MHz / QPSK / RB Size 1 Offset 0/ The Worst Test Results for Highest							
Frequency(MHz)	S G.Lev (dBm)	Ant(dBi)	Loss	PMea	Limit	Margin	Polarity
				(dBm)	(dBm)	(dBm)	
3544.87	-34.17	12.61	12.56	-34.12	-13.00	-21.12	H
5332.66	-34.80	13.12	12.46	-34.14	-13.00	-21.14	H
7089.85	-33.13	12.32	21.13	-41.94	-13.00	-28.94	H
3544.87	-34.85	12.61	12.76	-35.00	-13.00	-22.00	V
5332.66	-35.22	13.12	16.32	-38.42	-13.00	-25.42	V
7089.85	-32.69	12.32	21.13	-41.50	-13.00	-28.50	V



LTE Band 66 / 20MHz / QPSK / RB Size 1 Offset 0/ The Worst Test Results for Lowest							
Frequency(MHz)	S	Ant(dBi)	Loss	PMea	Limit	Margin	Polarity
	G.Lev (dBm)			(dBm)	(dBm)	(dBm)	
3439.82	-33.77	12.90	12.56	-33.43	-13.00	-20.43	H
51599.79	-34.58	13.10	12.46	-33.94	-13.00	-20.94	H
6880.01	-33.22	12.33	21.13	-42.02	-13.00	-29.02	H
3439.82	-35.42	12.90	12.76	-35.28	-13.00	-22.28	V
51599.79	-35.23	13.10	16.32	-38.45	-13.00	-25.45	V
6880.01	-31.78	12.33	21.13	-40.58	-13.00	-27.58	V
LTE Band 66 / 20MHz / QPSK / RB Size 1 Offset 0/ The Worst Test Results for Middle							
Frequency(MHz)	S	Ant(dBi)	Loss	PMea	Limit	Margin	Polarity
	G.Lev (dBm)			(dBm)	(dBm)	(dBm)	
3490.11	-34.46	12.80	12.56	-34.22	-13.00	-21.22	H
5235.11	-35.29	13.10	12.46	-34.65	-13.00	-21.65	H
6979.95	-32.80	12.33	21.13	-41.60	-13.00	-28.60	H
3490.11	-34.85	12.80	12.76	-34.81	-13.00	-21.81	V
5235.11	-35.08	13.10	16.32	-38.30	-13.00	-25.30	V
6979.95	-32.80	12.33	21.13	-41.60	-13.00	-28.60	V
LTE Band 66 / 20MHz / QPSK / RB Size 1 Offset 0/ The Worst Test Results for Highest							
Frequency(MHz)	S	Ant(dBi)	Loss	PMea	Limit	Margin	Polarity
	G.Lev (dBm)			(dBm)	(dBm)	(dBm)	
3540.15	-33.53	12.61	12.56	-33.48	-13.00	-20.48	H
5310.06	-35.21	13.12	12.46	-34.55	-13.00	-21.55	H
7080.91	-33.26	12.32	21.13	-42.07	-13.00	-29.07	H
3540.15	-34.99	12.61	12.76	-35.14	-13.00	-22.14	V
5310.06	-34.19	13.12	16.32	-37.39	-13.00	-24.39	V
7080.91	-32.11	12.32	21.13	-40.92	-13.00	-27.92	V

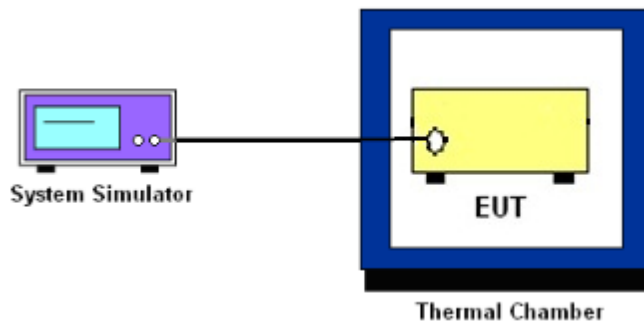
## 10. FREQUENCY STABILITY

### 10.1 DESCRIPTION OF FREQUENCY STABILITY MEASUREMENT

#### 10.1.1 MEASUREMENT METHOD

The frequency stability shall be measured by variation of ambient temperature and variation of primary supply voltage to ensure that the fundamental emission stays within the authorized frequency block. The frequency stability of the transmitter shall be maintained within  $\pm 0.00025\%$  ( $\pm 2.5\text{ppm}$ ) of the center frequency.

#### 10.1.2 TEST SETUP



#### 10.1.3 TEST PROCEDURES FOR TEMPERATURE VARIATION

1. The EUT was set up in the thermal chamber and connected with the system simulator.
2. With power OFF, the temperature was decreased to  $-30^{\circ}\text{C}$  and the EUT was stabilized before testing. Power was applied and the maximum change in frequency was recorded within one minute.
3. With power OFF, the temperature was raised in  $10^{\circ}\text{C}$  step up to  $50^{\circ}\text{C}$ . The EUT was stabilized at each step for at least half an hour. Power was applied and the maximum frequency change was recorded within one minute.

#### 10.1.4 TEST PROCEDURES FOR VOLTAGE VARIATION

1. The testing follows FCC KDB 971168 D01v01r03 Section 9.0.
2. The EUT was placed in a temperature chamber at  $25\pm 5^{\circ}\text{C}$  and connected with the system simulator.
3. The power supply voltage to the EUT was varied from 85% to 115% of the nominal value measured at the input to the EUT.
4. The variation in frequency was measured for the worst case.





10.1.5 TEST RESULTS

LTE Band 2 (QPSK) / 1880MHz / BW10M					
Temperature (°C)	Voltage	Freq. Dev.	Freq. Dev.	Limit	Result
	(Volt)	(Hz)	(ppm)		
50	Normal Voltage	33.90	0.018	2.5ppm	PASS
40		24.95	0.013		
30		27.24	0.014		
20		27.97	0.015		
10		28.58	0.015		
0		11.83	0.006		
-10		20.11	0.011		
-20		35.77	0.019		
-30		14.40	0.008		
25		Maximum Voltage	17.22		
25	BEP	13.28	0.007		

LTE Band 2 (QPSK) / 1880MHz / BW20M					
Temperature (°C)	Voltage	Freq. Dev.	Freq. Dev.	Limit	Result
	(Volt)	(Hz)	(ppm)		
50	Normal Voltage	13.18	0.007	2.5ppm	PASS
40		30.74	0.016		
30		30.50	0.016		
20		36.44	0.019		
10		35.34	0.019		
0		17.70	0.009		
-10		16.80	0.009		
-20		21.60	0.011		
-30		15.85	0.008		
25		Maximum Voltage	22.47		
25	BEP	21.94	0.012		



LTE Band 4 (QPSK) / 1733MHz / BW10M					
Temperature (°C)	Voltage	Freq. Dev.	Freq. Dev.	Limit	Result
	(Volt)	(Hz)	(ppm)		
50	Normal Voltage	26.45	0.015	2.5ppm	PASS
40		21.02	0.012		
30		36.43	0.021		
20		32.88	0.019		
10		27.79	0.016		
0		11.93	0.007		
-10		13.50	0.008		
-20		32.82	0.019		
-30		34.05	0.020		
25		Maximum Voltage	23.34		
25	BEP	12.32	0.007		

LTE Band 4 (QPSK) / 1733MHz / BW20M					
Temperature (°C)	Voltage	Freq. Dev.	Freq. Dev.	Limit	Result
	(Volt)	(Hz)	(ppm)		
50	Normal Voltage	19.10	0.011	2.5ppm	PASS
40		36.22	0.021		
30		28.04	0.016		
20		24.29	0.014		
10		17.42	0.010		
0		19.96	0.012		
-10		15.41	0.009		
-20		23.70	0.014		
-30		13.78	0.008		
25		Maximum Voltage	20.90		
25	BEP	29.21	0.017		



LTE Band 5 (QPSK) / 836.5MHz / BW5M					
Temperature (°C)	Voltage	Freq. Dev.	Freq. Dev.	Limit	Result
	(Volt)	(Hz)	(ppm)		
50	Normal Voltage	26.85	0.038	2.5ppm	PASS
40		36.22	0.051		
30		25.33	0.036		
20		34.10	0.048		
10		18.47	0.026		
0		19.19	0.027		
-10		18.51	0.003		
-20		11.73	0.017		
-30		23.42	0.033		
25		Maximum Voltage	12.43		
25	BEP	21.98	0.031		

LTE Band 5 (QPSK) / 836.5MHz / BW10M					
Temperature (°C)	Voltage	Freq. Dev.	Freq. Dev.	Limit	Result
	(Volt)	(Hz)	(ppm)		
50	Normal Voltage	31.97	0.045	2.5ppm	PASS
40		31.89	0.045		
30		33.91	0.048		
20		16.58	0.023		
10		16.30	0.023		
0		36.17	0.051		
-10		26.63	0.004		
-20		21.02	0.030		
-30		21.33	0.030		
25		Maximum Voltage	16.38		
25	BEP	36.01	0.051		



LTE Band 7 (QPSK) / 2535MHz / BW10M					
Temperature (°C)	Voltage	Freq. Dev.	Freq. Dev.	Limit	Result
	(Volt)	(Hz)	(ppm)		
50	Normal Voltage	22.66	0.009	2.5ppm	PASS
40		16.14	0.006		
30		30.19	0.012		
20		12.28	0.005		
10		34.39	0.014		
0		30.30	0.012		
-10		34.92	0.014		
-20		14.89	0.006		
-30		17.52	0.007		
25		Maximum Voltage	25.25		
25	BEP	28.34	0.011		

LTE Band 7 (QPSK) / 2535MHz / BW20M					
Temperature (°C)	Voltage	Freq. Dev.	Freq. Dev.	Limit	Result
	(Volt)	(Hz)	(ppm)		
50	Normal Voltage	18.61	0.007	2.5ppm	PASS
40		21.31	0.008		
30		34.61	0.014		
20		16.03	0.006		
10		28.40	0.011		
0		22.89	0.009		
-10		23.63	0.009		
-20		14.67	0.006		
-30		20.38	0.008		
25		Maximum Voltage	21.34		
25	BEP	26.95	0.011		



LTE Band 12 (QPSK) / 707.5MHz / BW5M					
Temperature (°C)	Voltage	Freq. Dev.	Freq. Dev.	Limit	Result
	(Volt)	(Hz)	(ppm)		
50	Normal Voltage	18.54	0.026	2.5ppm	PASS
40		20.18	0.028		
30		24.92	0.035		
20		32.09	0.045		
10		35.25	0.050		
0		30.15	0.042		
-10		26.56	0.004		
-20		25.58	0.036		
-30		22.63	0.032		
25		Maximum Voltage	23.46		
25	BEP	14.52	0.020		

LTE Band 12 (QPSK) / 707.5MHz / BW10M					
Temperature (°C)	Voltage	Freq. Dev.	Freq. Dev.	Limit	Result
	(Volt)	(Hz)	(ppm)		
50	Normal Voltage	20.82	0.029	2.5ppm	PASS
40		21.42	0.030		
30		28.91	0.041		
20		32.08	0.045		
10		14.23	0.020		
0		24.97	0.035		
-10		23.35	0.003		
-20		29.75	0.042		
-30		16.61	0.023		
25		Maximum Voltage	34.42		
25	BEP	31.46	0.044		



LTE Band 13 (QPSK) / 782MHz / BW5M					
Temperature (°C)	Voltage	Freq. Dev.	Freq. Dev.	Limit	Result
	(Volt)	(Hz)	(ppm)		
50	Normal Voltage	17.21	0.024	2.5ppm	PASS
40		25.97	0.037		
30		12.49	0.018		
20		19.98	0.028		
10		32.70	0.046		
0		34.14	0.048		
-10		25.87	0.004		
-20		13.67	0.019		
-30		12.11	0.017		
25		Maximum Voltage	12.73		
25	BEP	20.71	0.029		

LTE Band 13 (QPSK) / 782MHz / BW10M					
Temperature (°C)	Voltage	Freq. Dev.	Freq. Dev.	Limit	Result
	(Volt)	(Hz)	(ppm)		
50	Normal Voltage	27.02	0.038	2.5ppm	PASS
40		27.63	0.039		
30		27.16	0.038		
20		23.53	0.033		
10		13.42	0.019		
0		24.13	0.034		
-10		11.67	0.002		
-20		16.40	0.023		
-30		29.64	0.042		
25		Maximum Voltage	20.36		
25	BEP	33.30	0.047		



LTE Band 17 (QPSK) / 710MHz / BW5M					
Temperature (°C)	Voltage	Freq. Dev.	Freq. Dev.	Limit	Result
	(Volt)	(Hz)	(ppm)		
50	Normal Voltage	27.97	0.039	2.5ppm	PASS
40		23.32	0.033		
30		24.05	0.034		
20		26.97	0.038		
10		30.07	0.042		
0		32.09	0.045		
-10		22.56	0.003		
-20		28.65	0.040		
-30		28.54	0.040		
25		Maximum Voltage	33.41		
25	BEP	30.70	0.043		

LTE Band 17 (QPSK) / 710MHz / BW10M					
Temperature (°C)	Voltage	Freq. Dev.	Freq. Dev.	Limit	Result
	(Volt)	(Hz)	(ppm)		
50	Normal Voltage	14.18	0.020	2.5ppm	PASS
40		30.04	0.042		
30		22.23	0.031		
20		24.47	0.034		
10		12.54	0.018		
0		31.55	0.044		
-10		21.24	0.003		
-20		19.27	0.027		
-30		25.96	0.037		
25		Maximum Voltage	33.99		
25	BEP	17.36	0.024		



LTE Band 25 (QPSK) / 1880MHz / BW10M					
Temperature (°C)	Voltage	Freq. Dev.	Freq. Dev.	Limit	Result
	(Volt)	(Hz)	(ppm)		
50	Normal Voltage	23.85	0.013	2.5ppm	PASS
40		28.68	0.015		
30		28.82	0.015		
20		31.45	0.017		
10		31.07	0.017		
0		16.20	0.009		
-10		35.66	0.019		
-20		24.40	0.013		
-30		23.87	0.013		
25		Maximum Voltage	14.84		
25	BEP	30.55	0.016		

LTE Band 25 (QPSK) / 1880MHz / BW20M					
Temperature (°C)	Voltage	Freq. Dev.	Freq. Dev.	Limit	Result
	(Volt)	(Hz)	(ppm)		
50	Normal Voltage	34.30	0.018	2.5ppm	PASS
40		22.32	0.012		
30		26.18	0.014		
20		36.28	0.019		
10		35.22	0.019		
0		15.12	0.008		
-10		29.31	0.016		
-20		26.65	0.014		
-30		19.69	0.010		
25		Maximum Voltage	30.26		
25	BEP	12.85	0.007		





LTE Band 26 (QPSK) / 831.5MHz / BW10M					
Temperature (°C)	Voltage	Freq. Dev.	Freq. Dev.	Limit	Result
	(Volt)	(Hz)	(ppm)		
50	Normal Voltage	20.45	0.012	2.5ppm	PASS
40		22.56	0.013		
30		31.56	0.018		
20		16.17	0.009		
10		35.39	0.020		
0		29.82	0.017		
-10		14.51	0.008		
-20		31.25	0.018		
-30		32.10	0.019		
25		Maximum Voltage	21.30		
25	BEP	23.68	0.014		

LTE Band 26 (QPSK) /831.5MHz / BW15M					
Temperature (°C)	Voltage	Freq. Dev.	Freq. Dev.	Limit	Result
	(Volt)	(Hz)	(ppm)		
50	Normal Voltage	15.16	0.009	2.5ppm	PASS
40		31.11	0.018		
30		18.49	0.011		
20		31.72	0.018		
10		28.14	0.016		
0		32.56	0.019		
-10		31.61	0.018		
-20		13.29	0.008		
-30		31.40	0.018		
25		Maximum Voltage	22.70		
25	BEP	31.86	0.018		



LTE Band 26(Part 90) (QPSK) / 816.5MHz / BW5M					
Temperature (°C)	Voltage	Freq. Dev.	Freq. Dev.	Limit	Result
	(Volt)	(Hz)	(ppm)		
50	Normal Voltage	22.60	0.013	2.5ppm	PASS
40		29.37	0.017		
30		27.17	0.016		
20		17.02	0.010		
10		18.00	0.010		
0		19.36	0.011		
-10		34.84	0.020		
-20		30.28	0.017		
-30		34.18	0.020		
25		Maximum Voltage	29.36		
25	BEP	25.49	0.015		

LTE Band 26(Part 90) (QPSK) / 819MHz / BW10M					
Temperature (°C)	Voltage	Freq. Dev.	Freq. Dev.	Limit	Result
	(Volt)	(Hz)	(ppm)		
50	Normal Voltage	22.23	0.013	2.5ppm	PASS
40		27.68	0.016		
30		20.76	0.012		
20		25.88	0.015		
10		22.85	0.013		
0		36.28	0.021		
-10		23.24	0.013		
-20		18.57	0.011		
-30		25.01	0.014		
25		Maximum Voltage	24.59		
25	BEP	24.60	0.014		



LTE Band 41 (QPSK) / 2593MHz / BW10M					
Temperature (°C)	Voltage	Freq. Dev.	Freq. Dev.	Limit	Result
	(Volt)	(Hz)	(ppm)		
50	Normal Voltage	17.84	0.007	2.5ppm	PASS
40		25.25	0.010		
30		35.73	0.014		
20		21.00	0.008		
10		25.42	0.010		
0		29.61	0.012		
-10		30.74	0.012		
-20		29.44	0.012		
-30		35.03	0.014		
25		Maximum Voltage	14.62		
25	BEP	14.80	0.006		

LTE Band 41 (QPSK) / 2593MHz / BW20M					
Temperature (°C)	Voltage	Freq. Dev.	Freq. Dev.	Limit	Result
	(Volt)	(Hz)	(ppm)		
50	Normal Voltage	36.03	0.014	2.5ppm	PASS
40		34.26	0.014		
30		12.32	0.005		
20		26.53	0.010		
10		36.22	0.014		
0		12.46	0.005		
-10		15.36	0.006		
-20		33.15	0.013		
-30		12.86	0.005		
25		Maximum Voltage	24.17		
25	BEP	35.50	0.014		



LTE Band 66 (QPSK) / 1745MHz / BW10M					
Temperature (°C)	Voltage	Freq. Dev.	Freq. Dev.	Limit	Result
	(Volt)	(Hz)	(ppm)		
50	Normal Voltage	34.92	0.020	2.5ppm	PASS
40		23.21	0.013		
30		14.36	0.008		
20		28.92	0.017		
10		20.47	0.012		
0		24.50	0.014		
-10		29.79	0.017		
-20		16.74	0.010		
-30		13.71	0.008		
25		Maximum Voltage	24.78		
25	BEP	24.48	0.014		

LTE Band 66 (QPSK) / 1745MHz / BW20M					
Temperature (°C)	Voltage	Freq. Dev.	Freq. Dev.	Limit	Result
	(Volt)	(Hz)	(ppm)		
50	Normal Voltage	18.04	0.010	2.5ppm	PASS
40		32.47	0.019		
30		14.66	0.008		
20		34.24	0.020		
10		13.35	0.008		
0		14.83	0.009		
-10		26.35	0.015		
-20		14.83	0.009		
-30		26.18	0.015		
25		Maximum Voltage	36.09		
25	BEP	27.49	0.016		



## APPENDIX-PHOTOS OF TEST SETUP

Note: See test photos in setup photo document for the actual connections between Product and support equipment.

※※※※END OF THE REPORT※※※※

