

80mm

145mm

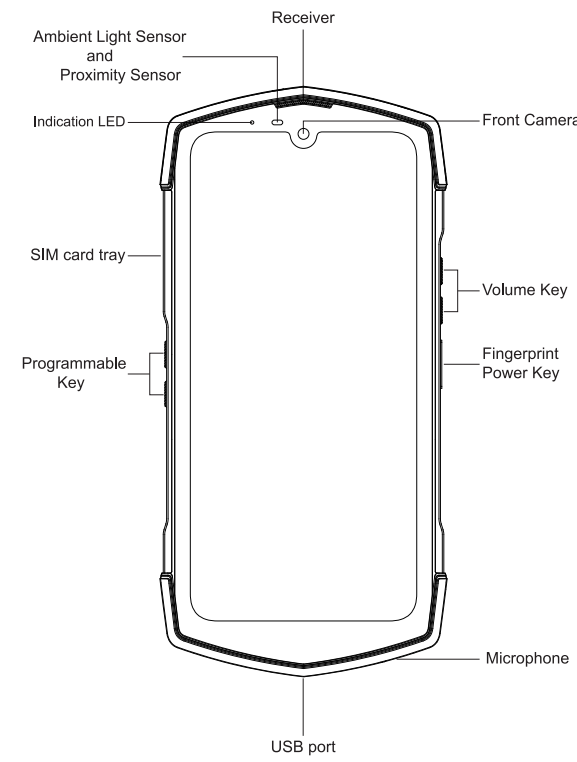
www.unihertz.com
service@unihertz.com

TickTock

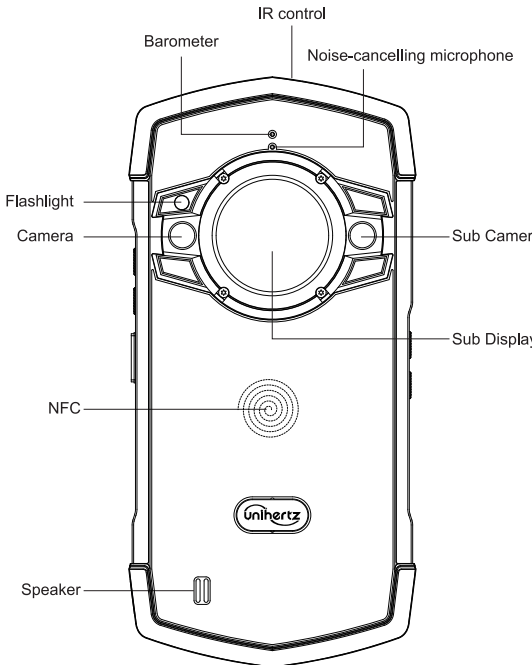
User Guide
ユーザーガイド
用户指南
Bedienungsanleitung
Guide de l'utilisateur

By unihertz

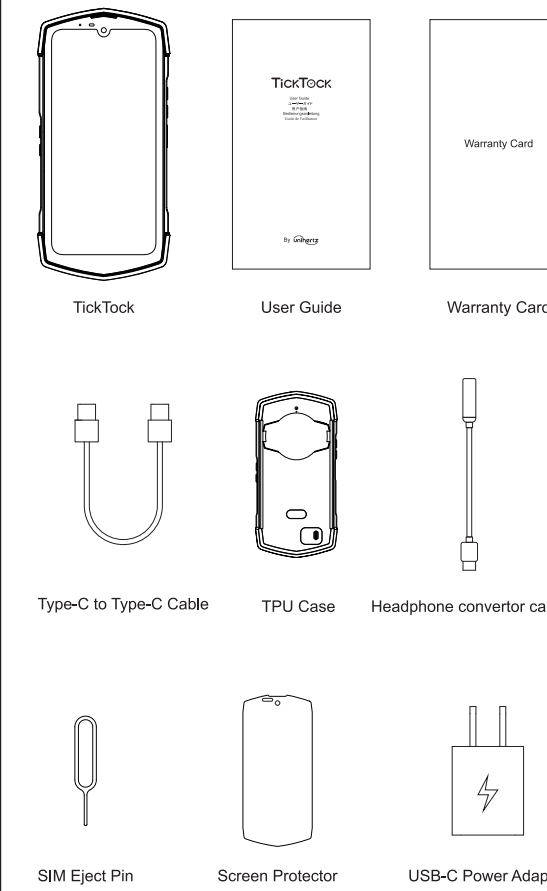
1. Appearance



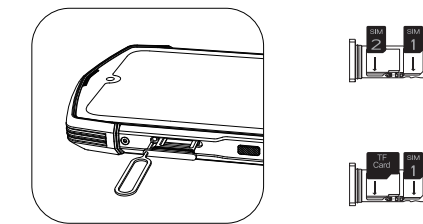
English



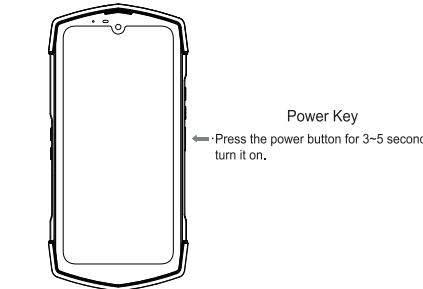
2. In the box



3. Insert the SIM/Micro SD card



4. Power on the device



5. Language switching

-Main menu > Settings > System > Languages&Input > Languages.
-Select the language you need and drag it to the top.

6. About Network

Bands supported by TickTock:
-GSM: Band 2/3/5/8
-WCDMA: 1/2/4/5/6/8/19
-FDD/TDD LTE: B1/2/3/4/5/6/7/8/12/13/17/18/19/20/25/26/28A/B/28B/34/38/39/40/41/42/66
-CDMA2000: BC0/BC1
-5G NR:N1/3/5/7/8/20/28/38/40/41/66/77/78

7. Attention

-Due to the different carrier's policy regarding to unlocked phones, LTE wireless service may not be available even if the listed bands are supported by your carrier. Please contact your carrier for more details.

About Waterproof:

-TickTock is splash, water, and dust resistant and was tested under controlled laboratory conditions with a rating of IP68 under IEC standard 60529. Splash, water, and dust resistance are not permanent conditions and resistance might decrease as a result of normal wear. Do not attempt to charge a wet TickTock, please refer to the user guide for cleaning and drying instructions. Liquid damage is not covered under warranty.

What should I do if my TickTock gets wet?

-If liquid splashes on your phone, wipe it off with a soft, lint-free cloth (e.g., a lens cloth).
-After use at the seaside or underwater, soak the unit in fresh water pooled in a shallow container for 10 minutes or less.
-Make sure that your phone is dry before opening the SIM tray.
-To dry your phone, tap it gently against your hand with the USB connector facing down and remove excess liquid. Leave your phone in a dry area with some airflow. Placing your phone in front of a fan blowing cool air directly into the USB connector might help the drying process.
-Don't dry your phone using an external heat source or insert a foreign object, such

as a cotton swab or a paper towel, into the USB connector.
-Make sure that your phone is dry before plug in the USB cable.

8. Safety

Please strictly abide by the following rules in order to ensure safe using the device:

- Do not expose the device and other batteries together under high temperature or heat-generating environment such as sunlight, heaters, microwave ovens, stoves or water heaters. Overheating of the battery may cause an explosion.
- When charging is complete or not charging, disconnect the charger from the device and unplug the charger from the power outlet.
- The device is equipped with a non-removable battery, do not replace the battery yourself to avoid damaging the battery or device.
- Use unihertz approved or compatible power source, charger or battery. Or it may cause fire, explosion or other hazards.
- Do not disassemble or reset the battery, insert other objects, immerse in water or other liquids to avoid battery leakage, overheating, fire or explosion.
- Do not drop, crush, scratch or puncture the battery to avoid subjecting the battery to excessive external pressure, which might resulting in internal short-circuit or overheating of the battery.
- Dispose of batteries according to your local environmental laws and guidelines.
- unihertz does not bear the responsibility for accidents caused by unauthorized charger.

9. FCC Warning

-This device complies with part 15 of the FCC Rules. Operation is subject to the following two conditions: (1) This device may not cause harmful interference, and (2) this device must accept any interference received, including interference that may cause undesired operation.

Any Changes or modifications not expressly approved by the party responsible for compliance could void the user's authority to operate the equipment.

-Note: This equipment has been tested and found to comply with the limits for a Class B digital device, pursuant to part 15 of the FCC Rules. These limits are designed to provide reasonable protection against harmful interference in a residential installation. This equipment generates uses and can radiate radio frequency energy and, if not installed and used in accordance with the instructions, may cause harmful interference to radio communications. However, there is no guarantee that interference will not occur in a particular installation. If this equipment does cause harmful interference to radio or television reception, which can be determined by turning the equipment off and on, the user is encouraged to try to correct the interference by one or more of the following measures:

- Reorient or relocate the receiving antenna.
- Increase the separation between the equipment and receiver.
- Connect the equipment into an outlet on a circuit different from that to which the receiver is connected.
- Consult the dealer or an experienced radio/TV technician for help.

Specific Absorption Rate (SAR) information:

-This device meets the government's requirements for exposure to radio waves. The guidelines are based on standards that were developed by independent scientific organizations through periodic and thorough evaluation of scientific studies. The standards include a substantial safety margin designed to assure the safety of all persons regardless of age or health.

FCC RF Exposure Information and Statement

-The SAR limit of USA (FCC) is 1.6 W/kg averaged over one gram of tissue. Device types:TickTock (FCC ID: 2AK6TICKTOCK) has also been tested against this SAR limit. The highest SAR value reported under this standard during product certification for use at the ear is 0.812W/kg and when properly worn on the body is 1.244W/kg. The hotspot SAR value is 1.244W/kg, the simultaneous transmission SAR value is 1.218W/kg on the head and 1.572W/kg on the body. This device was tested for typical body-worn operations with the back of the handset kept 10mm from the body. To maintain compliance with FCC RF exposure requirements, use accessories that maintain a 10mm separation distance between the user's body and the back of the handset. The use of belt clips, holsters and similar accessories should not contain metallic components in its assembly. The use of accessories that do not satisfy these requirements may not comply with FCC RF exposure requirements, and should be avoided.

Body-worn Operation

-This device was tested for typical body-worn operations. To comply with RF exposure requirements, a minimum separation distance of 10mm must be maintained between the user's body and the handset, including the antenna. Third-party belt-clips, holsters, and similar accessories used by this device should not contain any metallic components. Body-worn accessories that do not meet these requirements may not comply with RF exposure requirements and should be avoided. Use only the supplied or an approved antenna.