



# **WTR1LW1**

## **Antenna Test Report**

**Date : Jan. 11, 2017**

**Prepared by : Tony Duan**



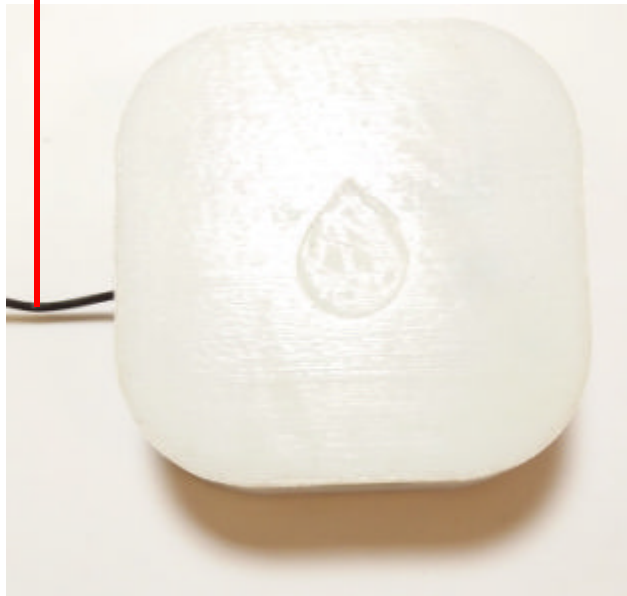
# Outline

---

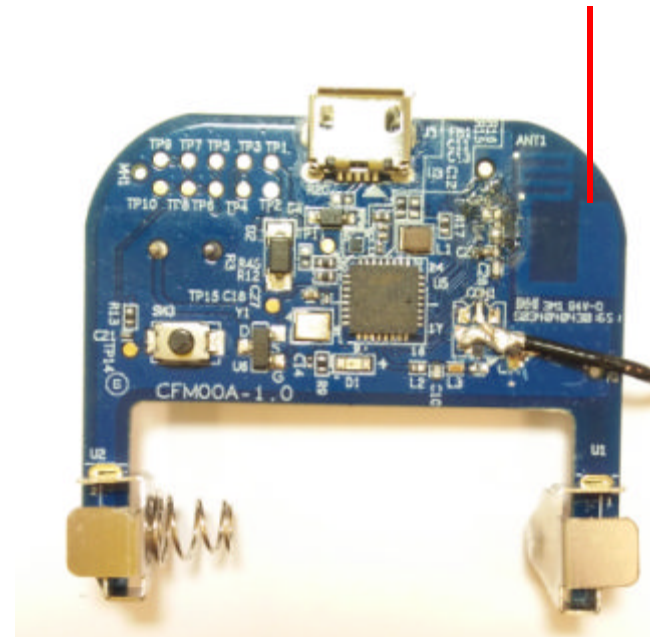
- Antenna Structure & Placement
- Return Loss
- Radiation Pattern
- Peak Gain & Efficiency

# Antenna Structure & Placement

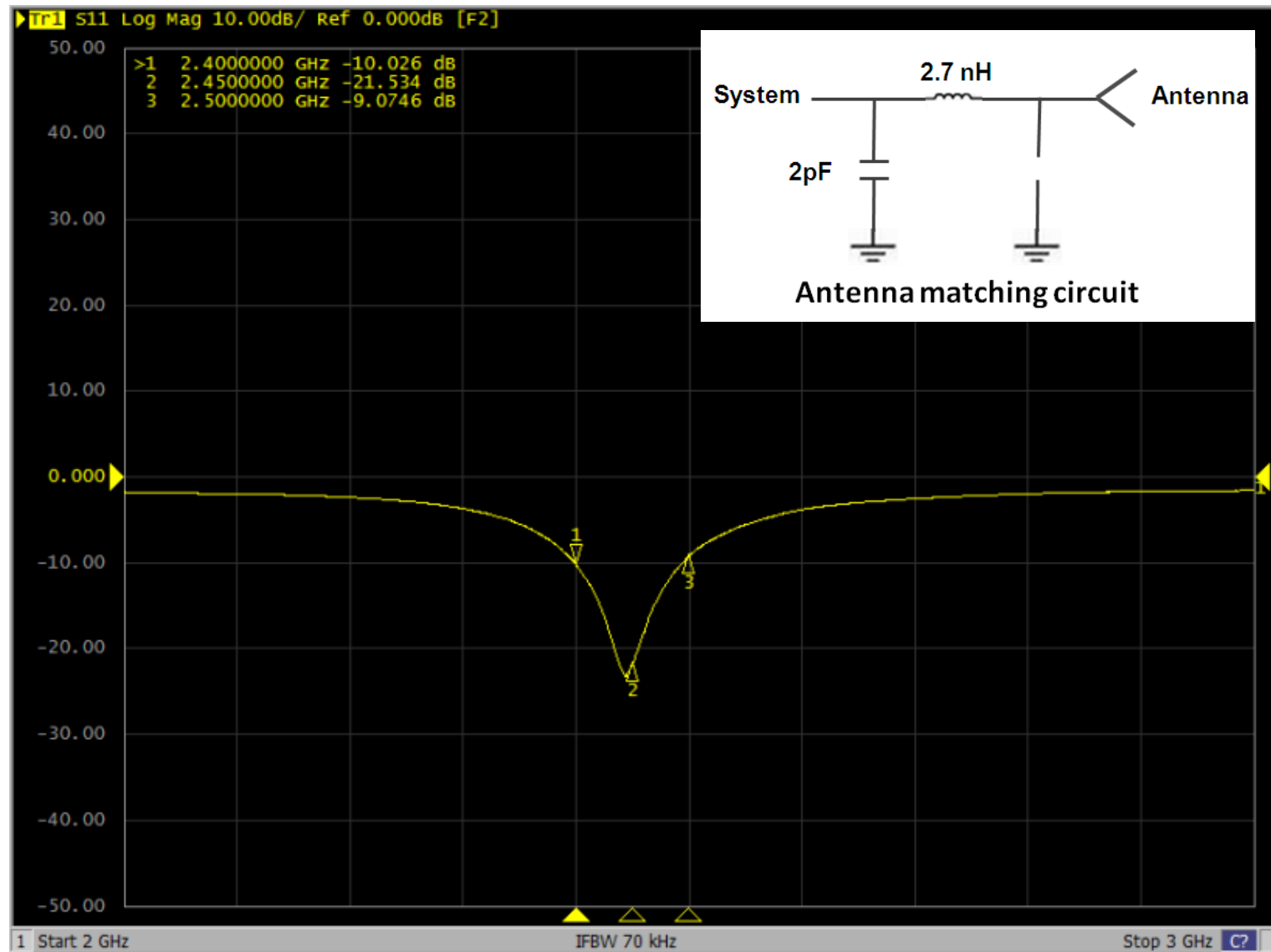
**Test Cable**



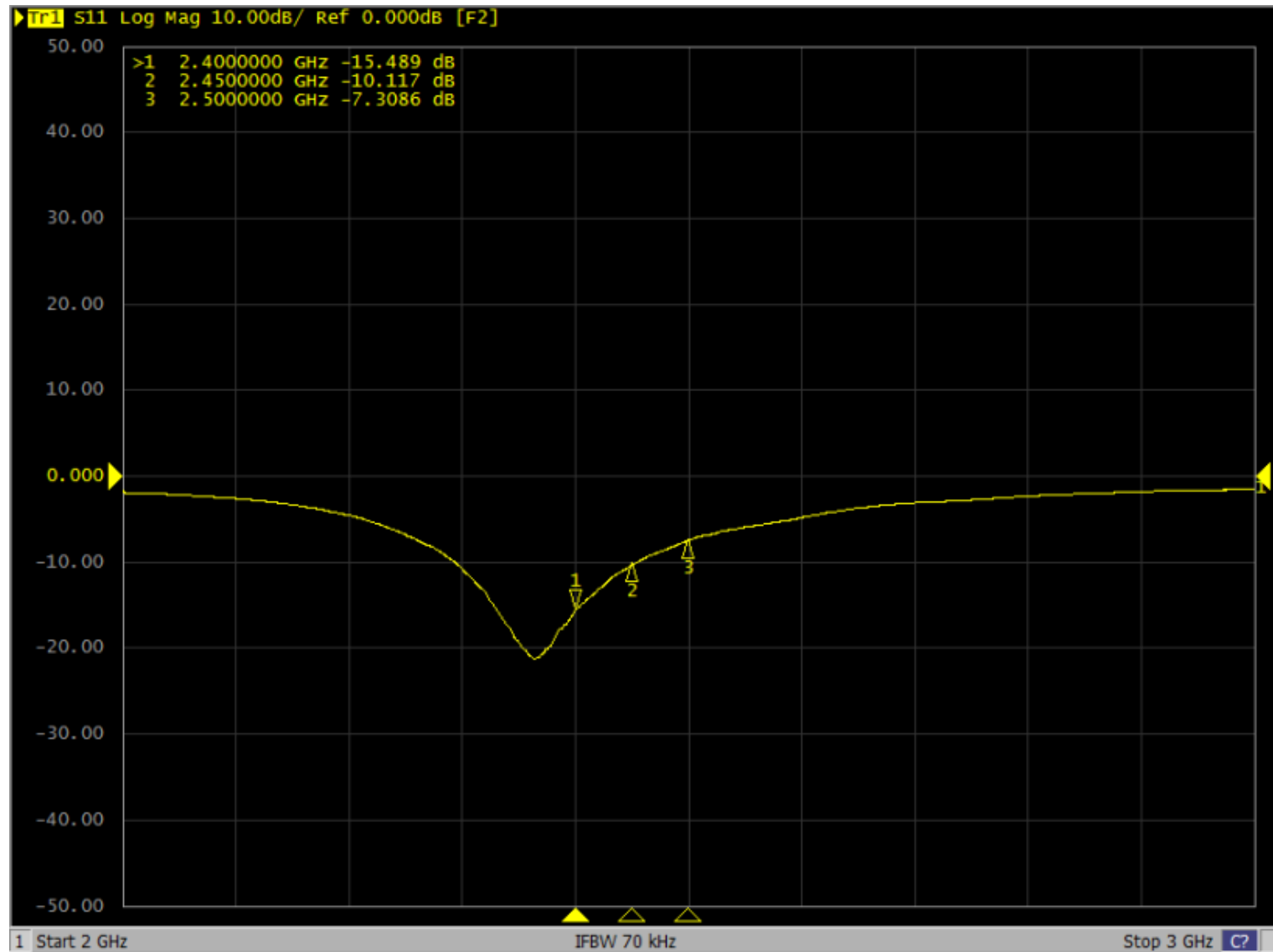
**ZigBee Ant**



# Return Loss – WTD03N

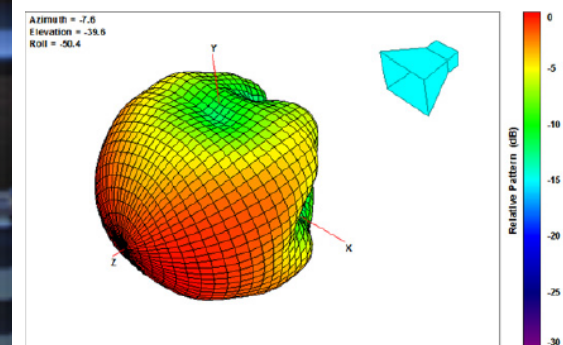
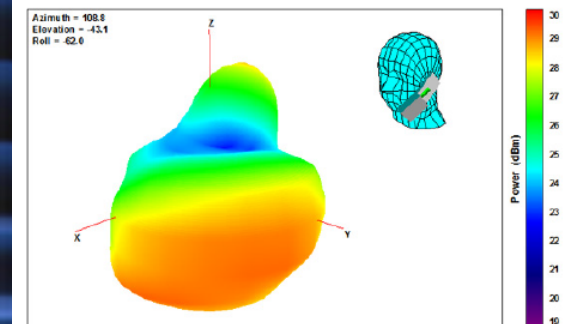
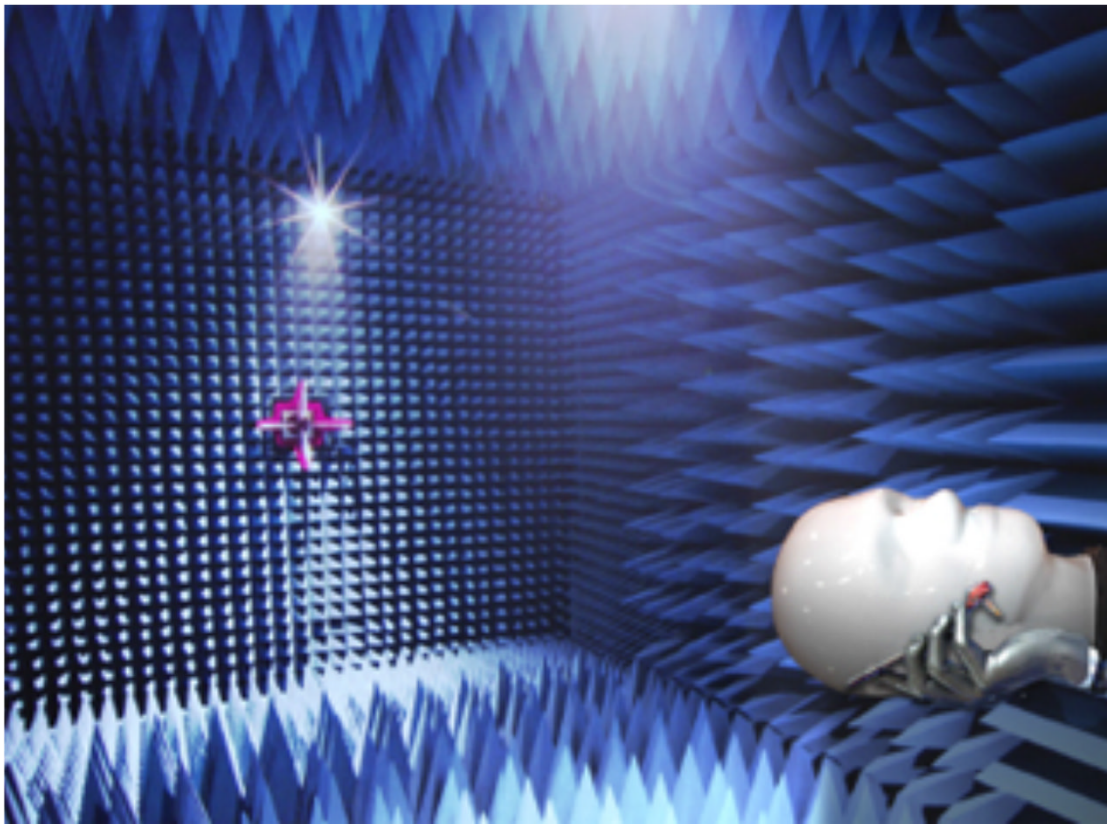


# Return Loss – DWS08N



# Antenna Measurement Chamber

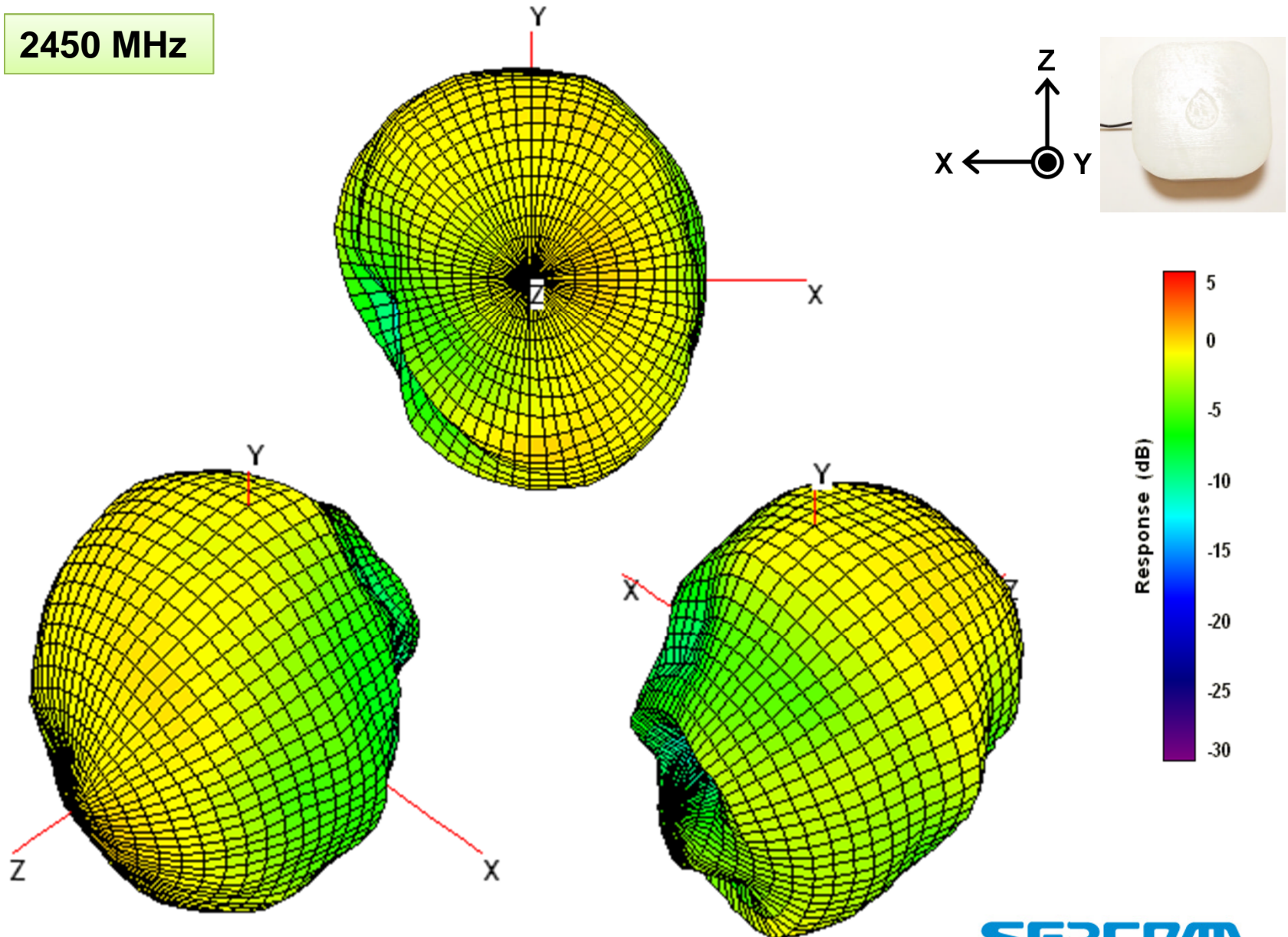
- ETS AMS-8500 antenna measurement system
- Interior dimensions : 7.32(L) $\times$ 3.66(W) $\times$ 3.66(H)m<sup>3</sup>
- Operating band : 700 MHz – 10 GHz
- Support passive test & active test
- Provide graphic data display



**SERCOM**

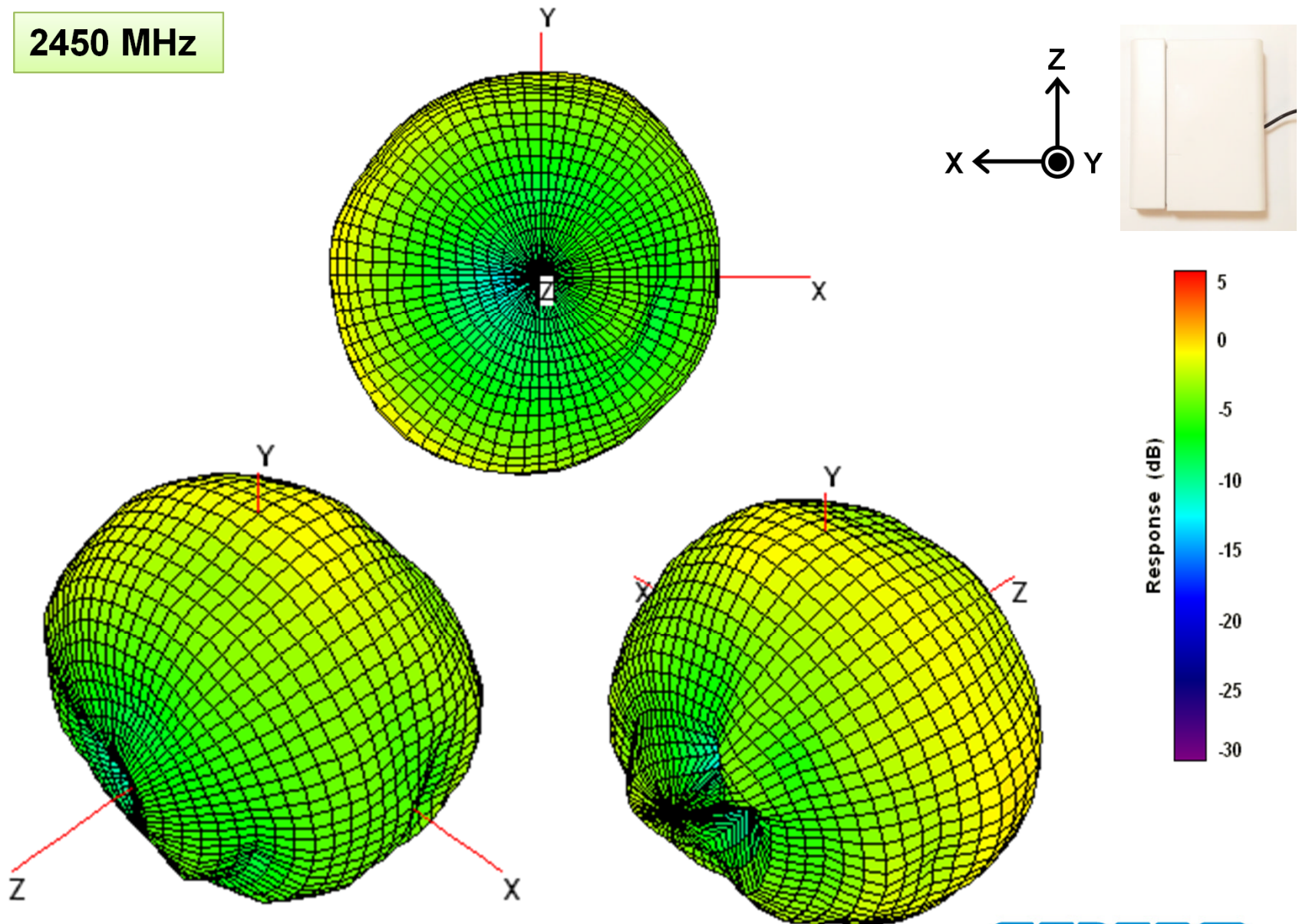
# Radiation Pattern – WTR1LW1

2450 MHz



# Radiation Pattern – DWS08N

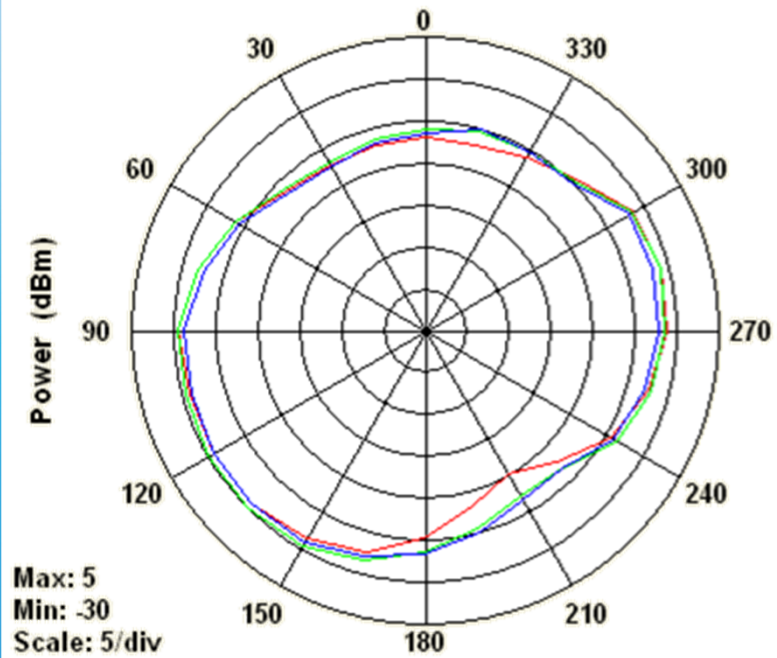
2450 MHz



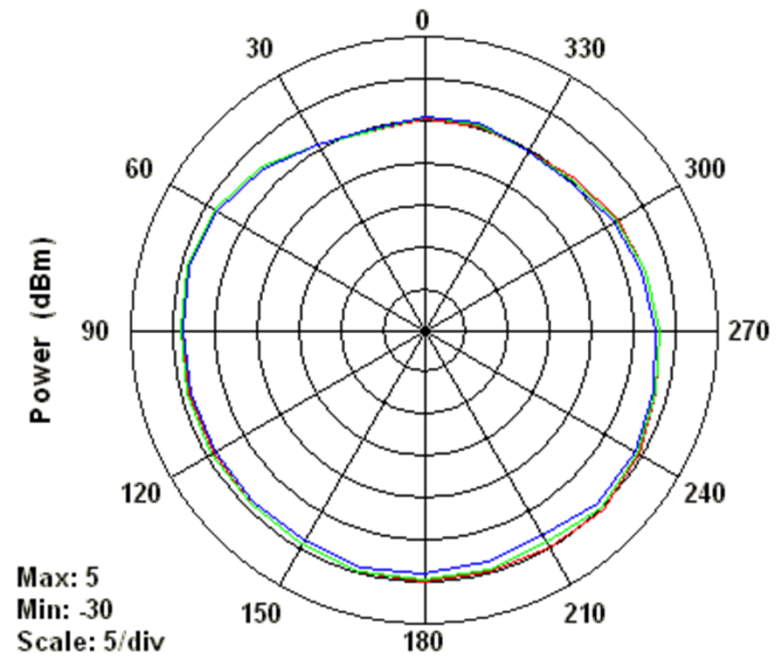


# Radiation Pattern

2400 MHz  
2450 MHz  
2500 MHz



**WTD03N**



**DWS08N**

# Peak Gain & Efficiency

SZ-WTD03N		
Freq. (MHz)	Efficiency (%)	Peak Gain (dBi)
2400	41.54	0.51
2450	47.31	0.63
2500	42.11	-0.08

SZ-DWS08N		
Freq. (MHz)	Efficiency (%)	Peak Gain (dBi)
2400	47.53	0.19
2450	45.93	-0.06
2500	40.97	-0.58

**SERCOMM**

[www.sercomm.com](http://www.sercomm.com)