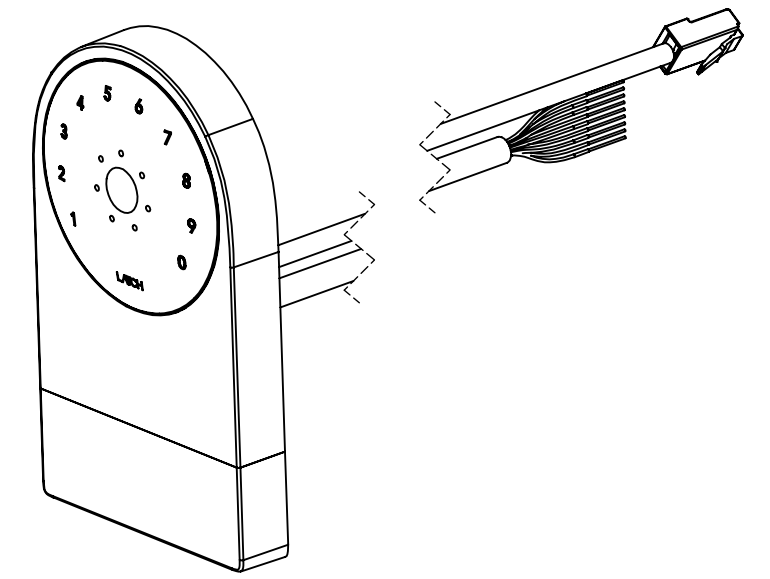


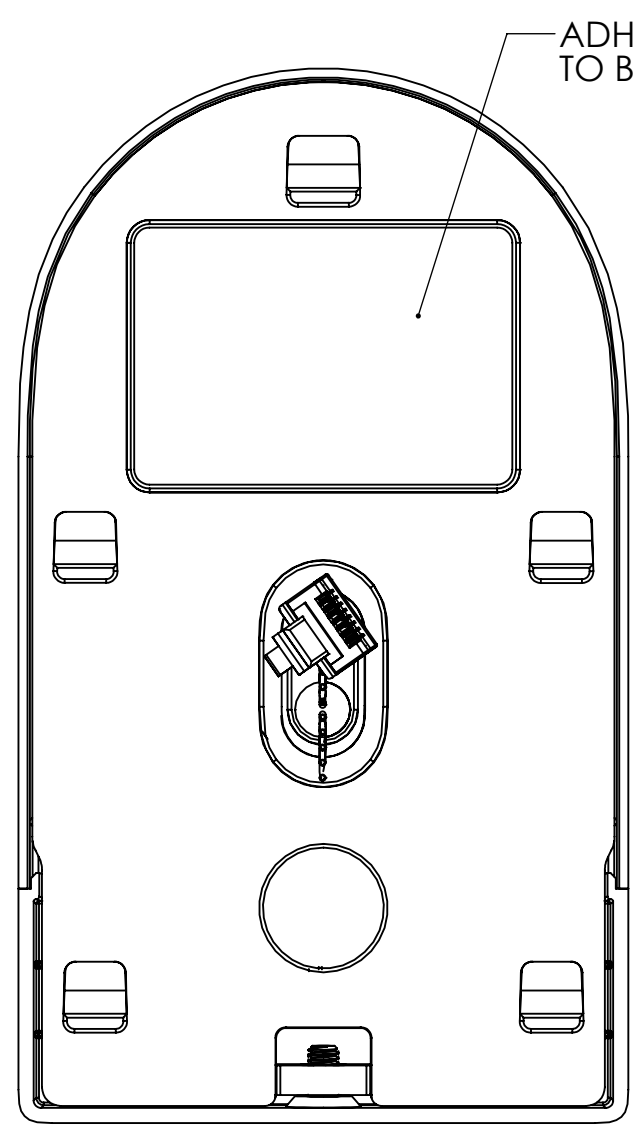
NOTES (UNLESS OTHERWISE SPECIFIED):

1. PREPARED IN ACCORDANCE WITH ASME Y14.8-2009, AND ASME Y14.5-2009.
2. ALL DIMENSIONS IN MILLIMETERS.
3. ANY ARTWORK SHOWN IS FOR REFERENCE ONLY. FOR FULL ARTWORK DEFINITION, REFER TO FILE: N/A
4. FOR COMPLETE PART DEFINITION, USE THIS DRAWING IN CONJUNCTION WITH DIGITAL DATA FILE 820-00020\_01. VALUES QUERIED FROM THE DIGITAL DATA FILE ARE BASIC  $\square 0.4$ . ANY DIMENSIONS AND/OR TOLERANCES ON THIS DRAWING SUPERCEDE THE CAD DATABASE.
5. (X) INDICATES INCOMING QUALITY CONTROL (IQC) INSPECTION ITEMS. DRAWING CONTAINS TBD IQC ITEMS. ALL OTHER DIMENSIONS ARE FOR REFERENCE ONLY.
6. (X) INDICATES FIRST ARTICLE INSPECTION (FAI) ITEMS. DRAWING CONTAINS TBD FAI ITEMS.
7. MATERIAL: SEE BOM
8. ADHESIVE: SEE BOM
9. PART WEIGHT: TBD g
10. ALL MATERIALS INCLUDED IN THIS PART SHALL CONFORM TO THE REQUIREMENTS OF EU DIRECTIVE 2002/95/EC (RoHS).

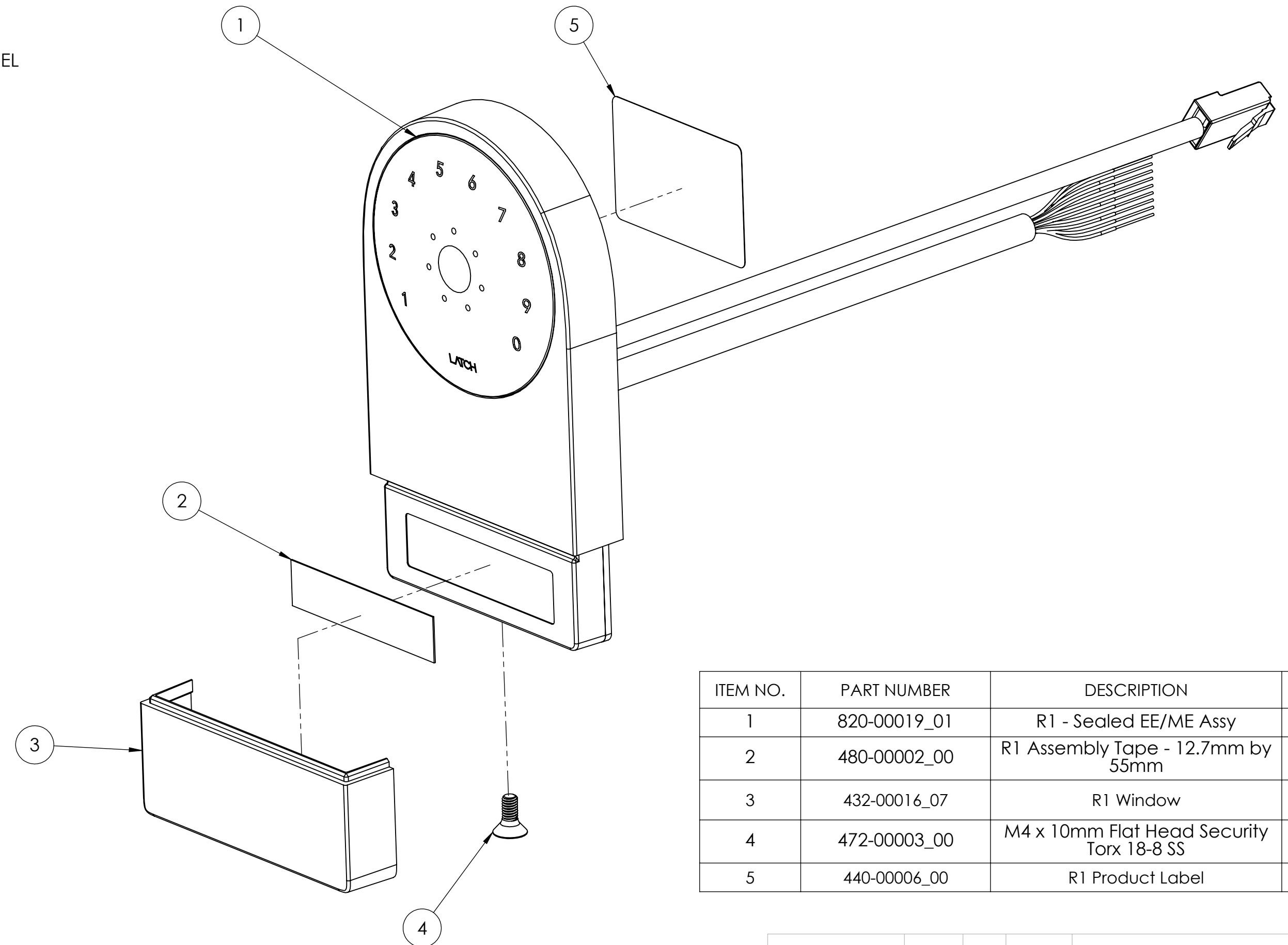
REVISIONS				
ZONE	REV.	DESCRIPTION	DATE	APPROVED
-	00.00	INITIAL RELEASE	02/01/2017	MBJ
-	01.00	UPDATED MODEL & FIXED MISSING INFORMATION: ADDED VIEWS	05/05/2017	EL



SCALE: 1:2



ADHERE R1 PRODUCT LABEL TO BACK PLATE



ITEM NO.	PART NUMBER	DESCRIPTION	Default/ QTY.
1	820-00019_01	R1 - Sealed EE/ME Assy	1
2	480-00002_00	R1 Assembly Tape - 12.7mm by 55mm	1
3	432-00016_07	R1 Window	1
4	472-00003_00	M4 x 10mm Flat Head Security Torx 18-8 SS	1
5	440-00006_00	R1 Product Label	1

UNLESS OTHERWISE SPECIFIED DIMENSIONS ARE IN MM TOLERANCES:		NAME	DATE
ANGULAR:	MACH ± 1° BEND ± 3°	DRAWN	XXX XX/XX/XXXX
ONE PLACE DECIMAL	±0.3	CHECKED	XXX XX/XX/XXXX
TWO PLACE DECIMAL	±0.13	ENG APPR.	XXX XX/XX/XXXX

**LATCH** 450 W 33RD ST  
FLOOR 12  
NEW YORK, NY 10001  
USA

PROPRIETARY AND CONFIDENTIAL  
THE INFORMATION CONTAINED IN THIS DRAWING IS THE SOLE PROPERTY OF LATCHABLE, INC. ANY REPRODUCTION IN PART OR AS A WHOLE WITHOUT THE WRITTEN PERMISSION OF LATCHABLE, INC. IS PROHIBITED.

TITLE:	SIZE	DWG. NO.	REV
R1 - Factory Finished Sloth	C	820-00020	01.00
SCALE: 1:1	DO NOT SCALE DRAWING	SHEET 1 OF 1	