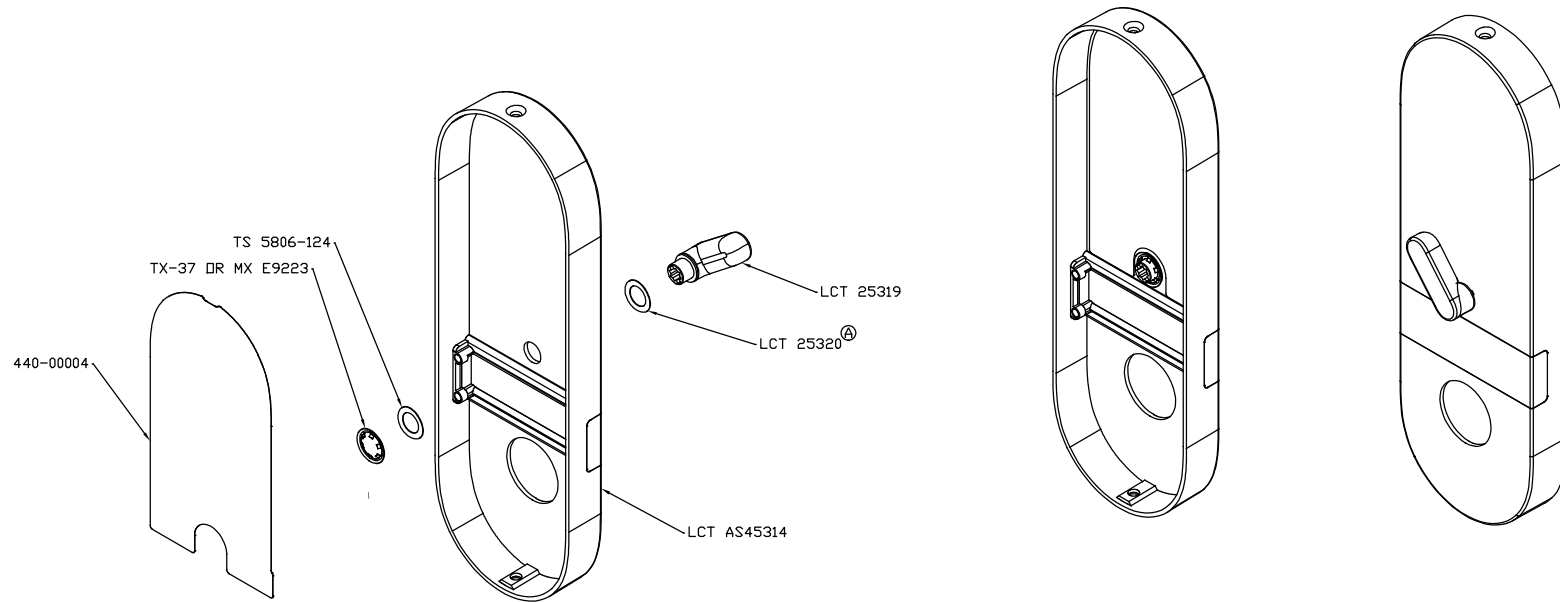


REV	DESCRIPTION	DATE
A	ADDED LCT 25320	9/27/16
B	ADDED 440-00004 AND LCT AS45314 REMOVED LCT 45315, LCT 45316 AND 4X LCT 45317	11/2/16



<p>TownSteel</p> <p>17901 RAILROAD STREET CITY OF INDUSTRY, CA 91748</p>	DRAFT UNLESS OTHERWISE SPECIFIED: 1° MAX	B	TOLERANCES UNLESS OTHERWISE SPECIFIED: X.X (METRIC) = ±0.4 X.XX (METRIC) = ±0.15 FRACTIONS = ±0.03 ANGLES = ±1/2° .12 MACHINED SURFACES 125/	MATERIAL: NOTED
	DRAWN BY: C.M.			HEAT TREAT: N/A
	DATE: 12/22/15			FINISH: PER ORDER
		THIRD ANGLE		TITLE: MI INNER COVER ASSEMBLY
				PART#: LCT AS45315

NOTES: (UNLESS OTHERWISE SPECIFIED)

THIS DRAWING AND THE INFORMATION CONTAINED THEREIN OR DERIVED THEREFROM ARE THE CONFIDENTIAL PROPERTY OF TOWNSTEEL, INC. IT IS NOT TO BE REPRODUCED, OR DISCLOSED TO OTHERS, AND MAY BE USED ONLY FOR THE PURPOSE OF ENABLING THE PARTY TO WHOM IT HAS BEEN LOANED TO QUOTE ON OR FILL AN ORDER FOR TOWNSTEEL, INC., OR AS MAY BE OTHERWISE AUTHORIZED BY TOWNSTEEL, INC. IN WRITING.