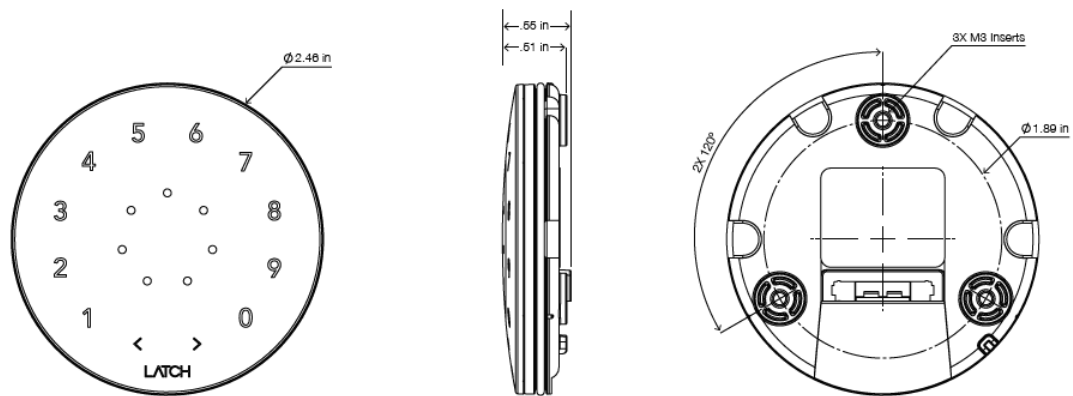


# Latch L2

## Specifications

### Dimensions

---



### Features

---

<b>Credential Types</b>	Smartphone, NFC Card, Doorcode
<b>Users</b>	1500
<b>Management</b>	App and Cloud

---

### Communication

---

<b>Wireless Standards</b>	Bluetooth Low Energy 5.0 (BLE), Near Field Communication (NFC)
<b>NFC Frequency</b>	13.56 MHz
<b>NFC Read Range</b>	Up to 1"
<b>NFC Type</b>	DESFire Light
<b>Supported Smartphones</b>	iOS and Android (see website for full list)
<b>Interface</b>	Mobile apps, touchpad, NFC, and web

---

## Power

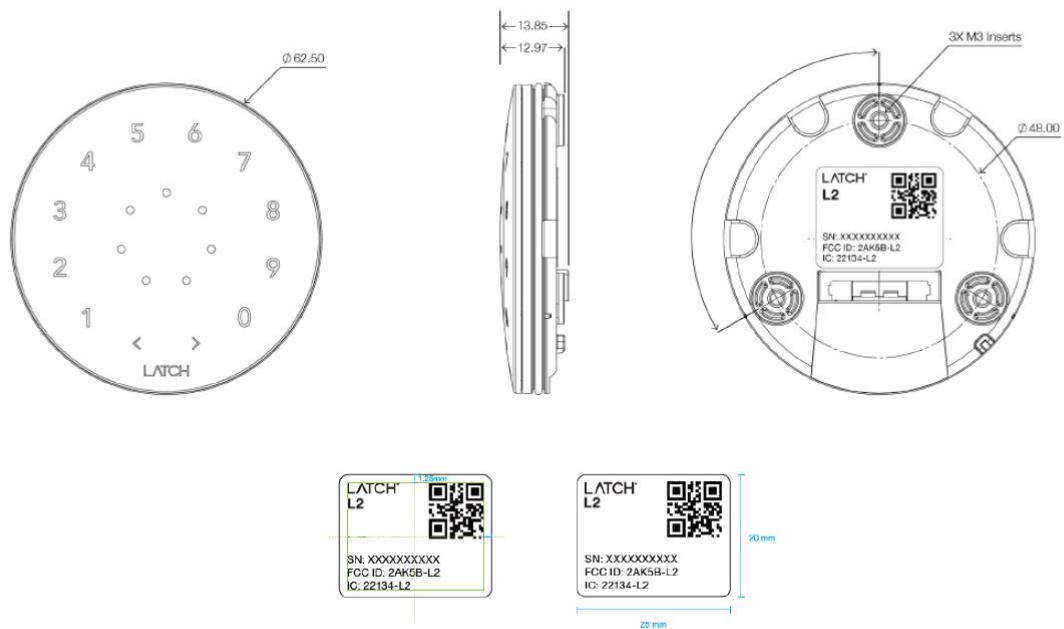
Power Supply	3.3-9 VDC
Inductive Jumpstart	Qi-compatible charger/powerbank can inductively power a BLE unlock if alkaline batteries are dead

## Environmental

Operating Temperature	-30°C to 70°C
Operating Humidity	0–95% relative humidity, non-condensing

## Certifications and Warranty

Certifications	FCC Part 15, IC RSS
----------------	---------------------



- Color: White Background with Black Text
- Material: Paper with plastic lamination
- Adhesive: Standard PSA (Pressure Sensitive Adhesive)

## Host Labeling Instructions

Host using the LATCH L2 Lens shall have below statement in a visible label:

**Contains FCC: 2AK5B-L2**

**Contains IC: 22134-L2**

Example:



## FCC Compliance Statement

Pursuant to FCC 15.21 of the FCC rules, changes not expressly approved by Latchable, Inc. might cause harmful interference and void the FCC authorization to operate this product.

Note: This equipment has been tested and found to comply with the limits for a Class B digital device, pursuant to Part 15 of the FCC Rules. These limits are designed to provide reasonable protection against harmful interference in a residential installation. This equipment generates, uses, and can radiate radio frequency energy and, if not installed and used in accordance with the instructions, may cause harmful interference to radio communications. However, there is no guarantee that interference will not occur in a particular installation. If this equipment does cause harmful interference to radio or television reception, which can be determined by turning the equipment off and on, the user is encouraged to try to correct the interference by one or more of the following measures:

- Reorient or relocate the receiving antenna.
- Increase the separation between the equipment and receiver.
- Connect the equipment into an output on a circuit different from that to which the receiver is connected.
- Consult the dealer or an experienced radio/TV technician for help.

The antennas used for this transmitter is internal and device must be installed to provide a separation distance greater than 20 cm from all persons and must not be co-located or operated in conjunction with any other antenna or transmitter.

This product complies with FCC & Industry Canada's RSS-102 radiation exposure limits set forth for an uncontrolled environment. This device complies with Part 15 of the FCC Rules and Innovation, Science and Economic Development Canada license-exempt RSS standard(s). Operation is subject to the following two conditions: (1) This device may not cause harmful interference. and (2) this device must accept any interference received, including interference that may cause undesired operation.

## Industry Canada Statement

This product complies with FCC & Industry Canada's RSS-102 radiation exposure limits set forth for an uncontrolled environment.

Ce produit est conforme à la norme FCC et aux limites d'exposition au rayonnement RSS-102 d'Industrie Canada définies pour un environnement non contrôlé.

This device complies with Part 15 of the FCC Rules and Innovation, Science and Economic Development Canada license-exempt RSS standard(s). Operation is subject to the following two conditions: (1) This device may not cause harmful interference. and (2) this device must accept any interference received, including interference that may cause undesired operation.

Cet appareil est conforme à des règlements Innovation, Sciences et Développement économique Canada exempts de licence standard RSS (s). Son fonctionnement est soumis aux deux conditions suivantes: (1) Ce dispositif ne doit pas causer d'interférences nuisibles, et (2) cet appareil doit accepter toute interférence reçue, y compris les interférences pouvant entraîner un fonctionnement indésirable.

This Class B digital apparatus complies with Canadian ICES-003.

Cet appareil numérisé de la classe B est conforme à la norme NMB-003 du Canada.