

LATCH

Latchable, Inc.
508 West 26th Street
Suite 6G
New York, NY 10001
United States

Tel: (314) 368-1611
www.latch.com

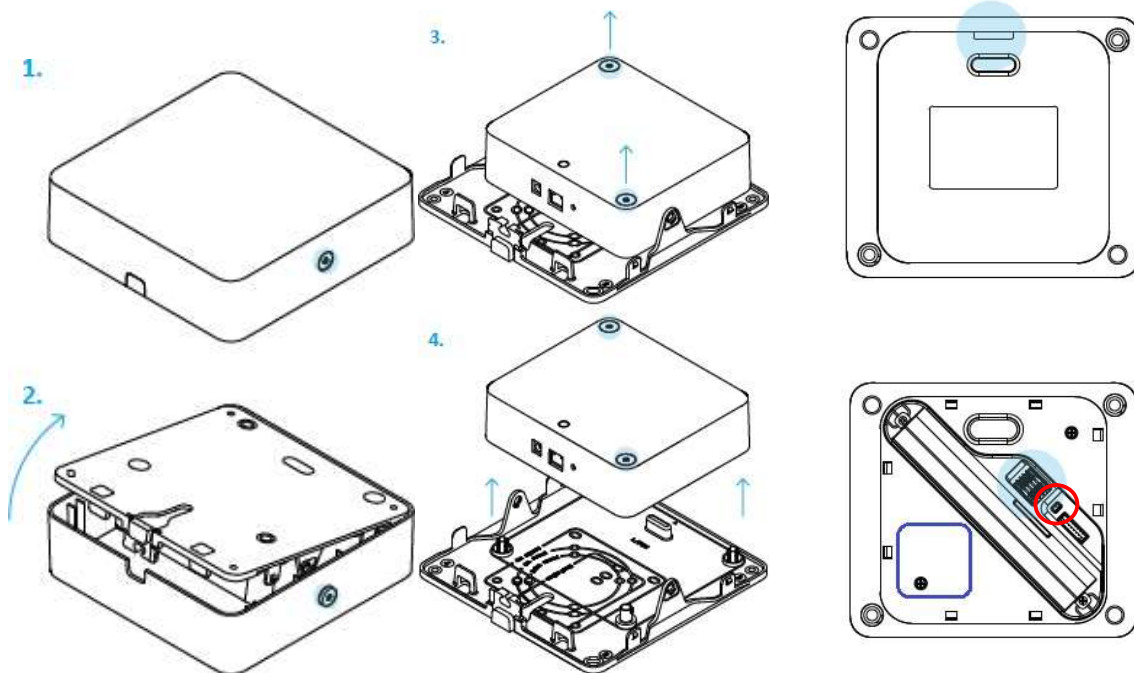
Date: 2020-08-27

FCC ID: 2AK5B-HB1

To the attention of
Federal Communications Commission
Authorization and Evaluation Division

Declaration letter for label requirement

The Hub complete assembly included Brain module, Outer cover and Mounting plate. The label is permanent affixed on Brain module (Blue circle), User has to disassemble Outer cover, Bracket and Battery cover to turn on power switch (Red circle) before use like below process. User can see label after remove Battery cover.



Sincerely yours,

DocuSigned by:
Matthew Yoon
F498851B072A489...

Matthew Yoon / Electrical Engineering Manager

matt@latch.com

508 West 26th Street Suite 6G New York, NY 10001