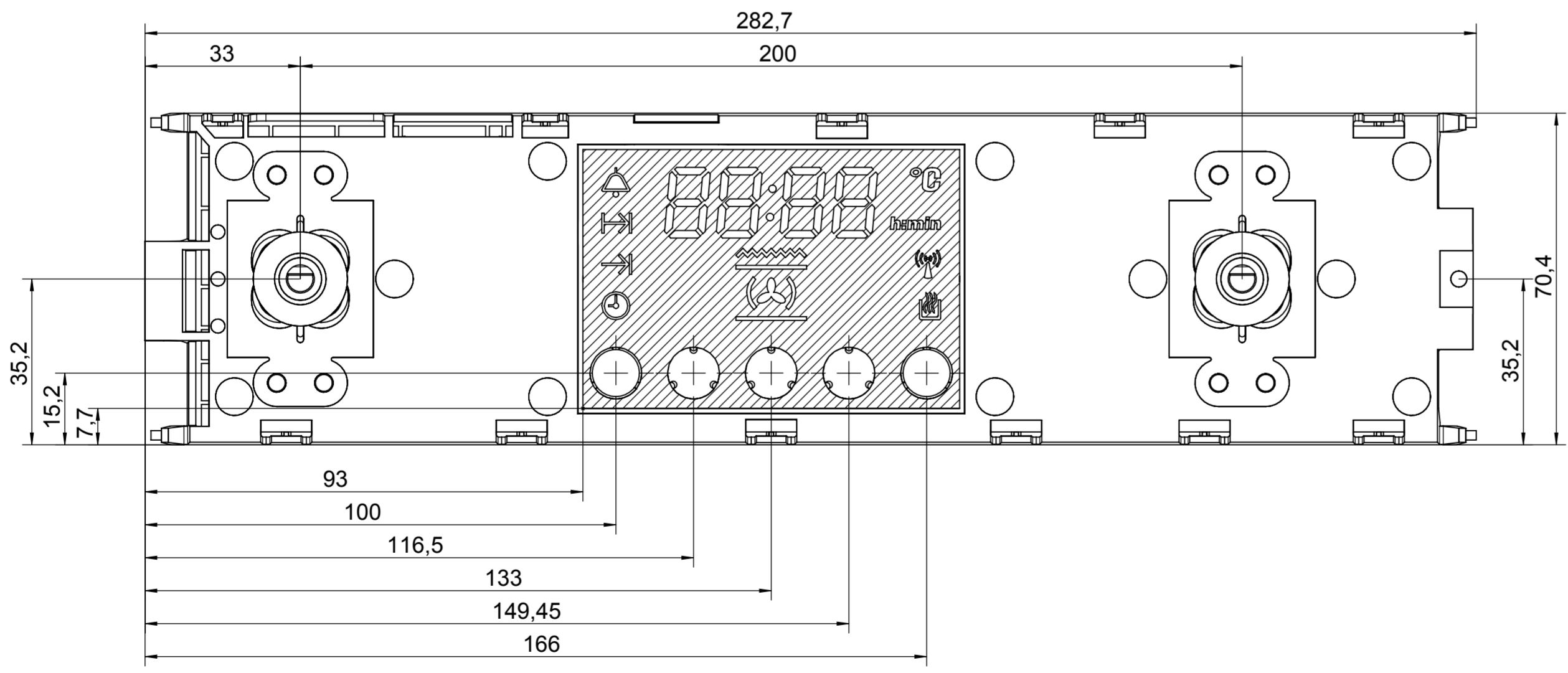
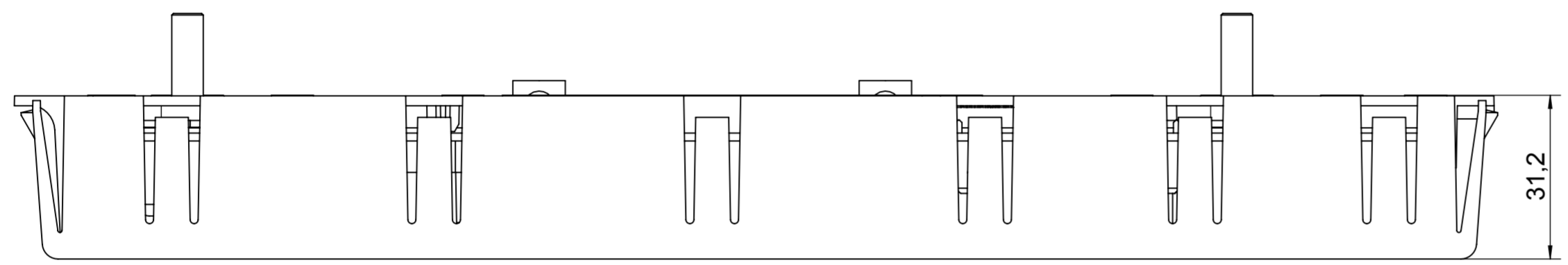


②
 Tabs
 DIN 46244 - A6,3-0,8 - CuZn30F43



Technical Data

Nominal Voltage: 200 V - 240 V AC +10% / -15%
 Nominal Frequency: 50 / 60 Hz

Ambient Temperature (EN 60730): 0 - 85 °C

Mounting Instructions

Control contains C-MOS components.
 Protective ESD measure need to be considered!
 A proper function of Touch Control will only given, if the Sensor Keys were pressed to the surface!



The cylindrical capacitive foam sensors (E.G.O. article No. 969.083) must be pressed to the back side of the front to secure proper sensor functionality. Maximum distance front glass to housing: 0.5mm

This document is exclusively committed to you for the agreed purpose. Any kind of duplication, utilization or communication of its content is prohibited, if not expressly conceded otherwise. Violators are committed to pay compensations. Any claims of existing or future property rights remain unaffected.					Blank No.	EN Mat.No.	Scale Unit
					Material		mm
					Surface Texture ISO 1302		Scale
					General Tolerances		1:1
					CAD	Date	Name
1	G19284	2017-08-29	Creat.	2018-02-02	WOEHRLET	Designation	
Cha.	Information No.	Date	Proc.	2018-02-02	WOEHRLET	EGO Oven Control	
F.Rel.	G19284	2017-08-29	Rel.			Drawing No.	Sh.No.
					C000014069		002
					Ver.	01	Stat.
					P		Sheets
					Doc.		Ex.Doc.
					Ref.		
Origin	Repl.for			Repl.by		Ref.	

