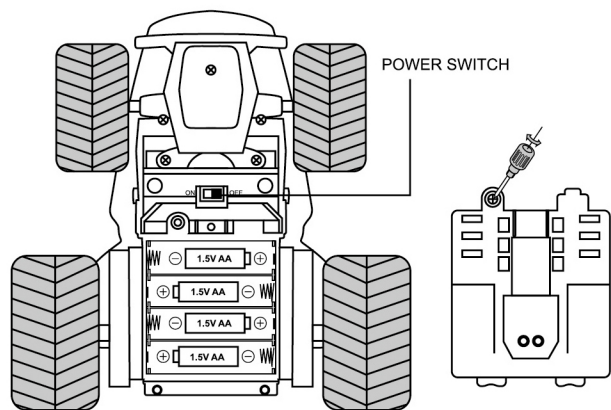
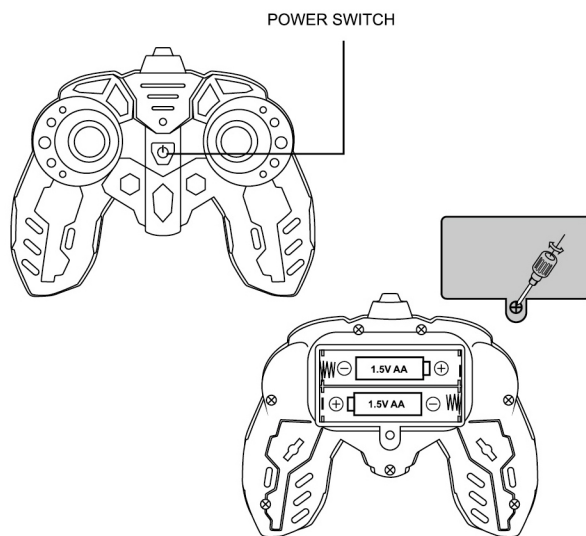


VEHICLE



4 X 1.5V "AA" BATTERIES (NOT INCLUDED)

TRANSMITTER



2 x 1.5V "AA" BATTERIES (NOT INCLUDED)

⚠ WARNING:

1. Rechargeable batteries are to be removed from the toy before being charged.
2. Rechargeable batteries are only to be charged under adult supervision.
3. Non-rechargeable batteries are not to be recharged.
4. Different types of batteries or new and used batteries are not to be mixed.
5. Only batteries of the same or equivalent type as recommended are to be used.
6. Batteries are to be inserted with the correct polarity.
7. Exhausted batteries are to be removed from the toy.
8. The supply terminals are not to be short-circuited.
9. Do not touch wheels or tires when they are in motion.
10. Do not collide with humans or any animals to avoid accident from occurring.

CUSTOMER INFORMATION

- Packaging has to be kept since it contains important information.
- WARNING! Not suitable for children under 36 months. Small parts.
- Where applicable, remove all packaging before giving this item to your child.
- Contents may vary in style, colour, shape and decoration from images shown on package or in advertising.
- Please ensure to TURN OFF the product after play.
- Please remove the batteries when not using the product for a long period of time.

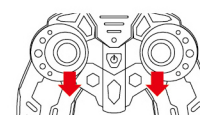
HOW TO OPERATE

Forward



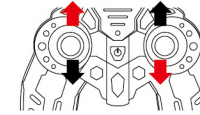
Press both control sticks forward.

Backward



Press both control sticks backward.

Spin/ Steer



Spin/Steer the vehicle by pressing and holding the control sticks in opposite directions.

تحذير! مخاطر الاختناق أجزاء صغيرة غير مناسبة
للأطفال دون سن الثالثة



WARNING:
CHOKING HAZARD - Small parts
not suitable for children under
3 years

معلومات للعمل

يرجى الاحتفاظ بهذه المعلومات الرجوع إليها في المستقبل.
تحذير! غير مناسبة للأطفال تحت سن 3 سنوات بسبب وجود قطع صغيرة.

قد تتلف الأجزاء والسيارات من الأجزاء القديمة
حيث يتحقق ويمنع إزالة التعديل على إعادته، هذا النوع من
مستوحاة في الصين
يجب الاحتفاظ بالتعليق بما أنه يحتوي على معلومات هامة.

This device complies with Part 15 of the FCC Rules. Operation is subject to the following two conditions: (1) this device may not cause harmful interference, and (2) this device must accept any interference received, including interference that may cause undesired operation.

Note: This equipment has been tested and found to comply with the limits for a Class B digital device, pursuant to Part 15 of the FCC Rules. These limits are designed to provide reasonable protection against harmful interference in a residential installation.

This equipment generates, uses and can radiate radio frequency energy and, if not installed and used in accordance with the instructions, may cause harmful interference to radio communications. However, there is no guarantee that interference will not occur in a particular installation.

If this equipment does cause harmful interference to radio or television reception, which can be determined by turning the equipment off and on, the user is encouraged to try to correct the interference by one or more of the following measures:

- Reorient or relocate the receiving antenna.
- Increase the separation between the equipment and receiver.
- Connect the equipment into an outlet on a circuit different from that to which the receiver is connected.
- Consult the dealer or an experienced radio/TV technician for help.

Caution: Changes or modifications not expressly approved by the party responsible for compliance could void the user's authority to operate the equipment.



MADE IN CHINA



WARNING: This toy produces flashes that may trigger epilepsy in sensitised individuals.

TRCDH1316G