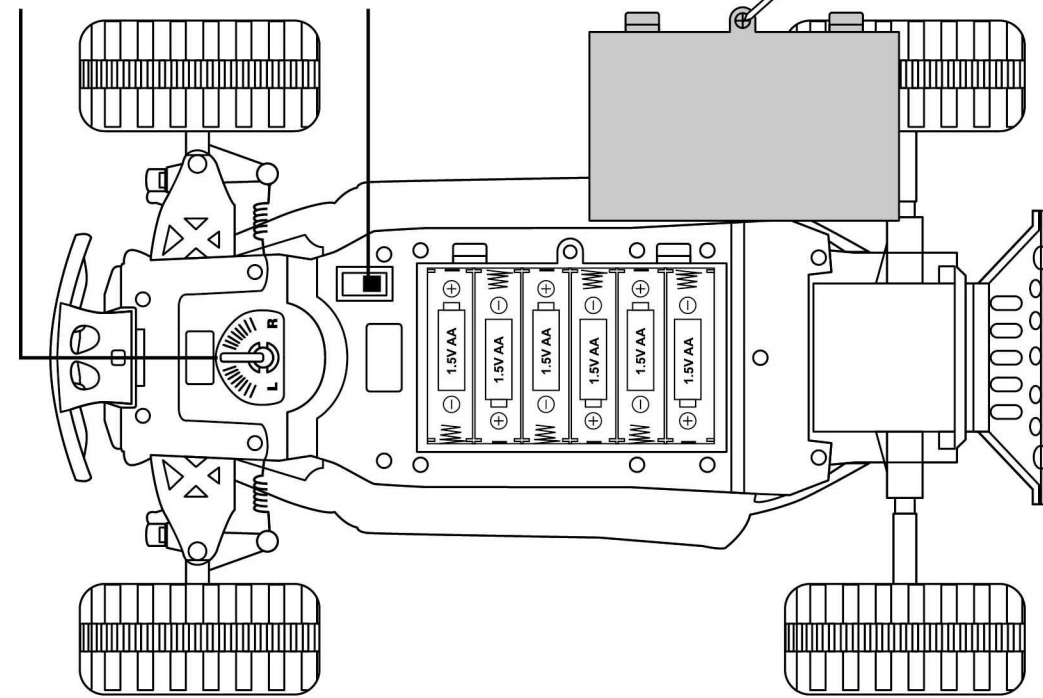


TRCDH1235

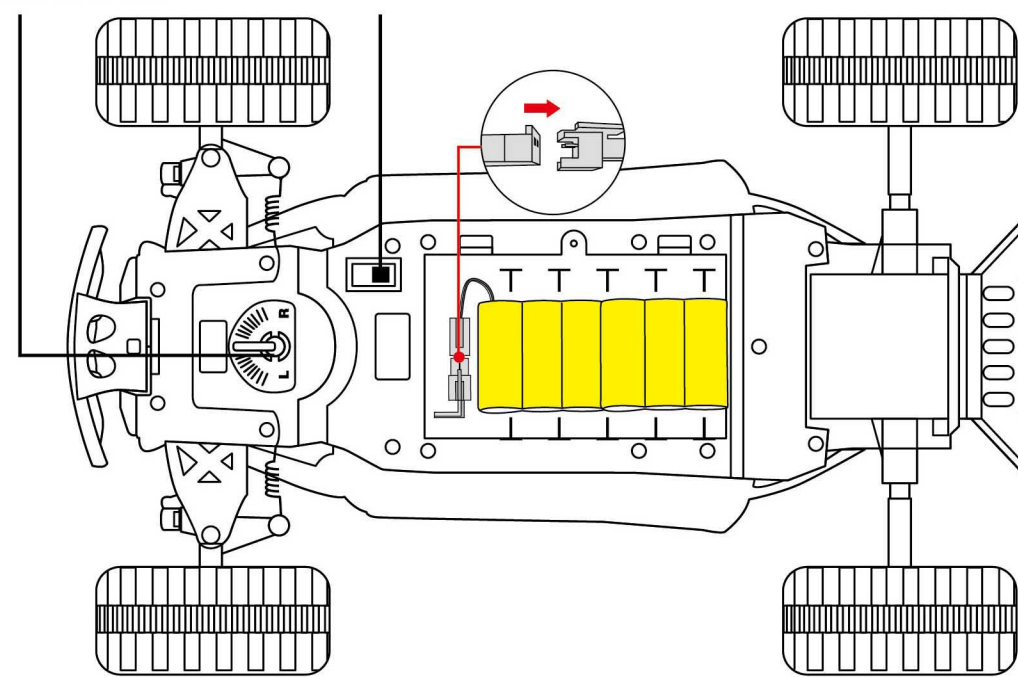
FRONT WHEEL ALIGNMENT LEVER
POWER SWITCH



6 X 1.5V "AA" BATTERIES (NOT INCLUDED)

TRCDH1235B

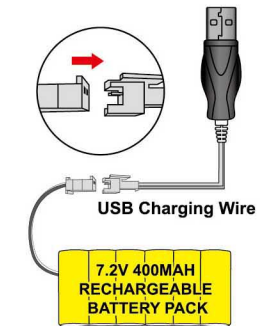
FRONT WHEEL ALIGNMENT LEVER
POWER SWITCH



1 X 7.2V 400MAH RECHARGEABLE BATTERY PACK (INCLUDED)
RECHARGEABLE CABLE (INCLUDED)

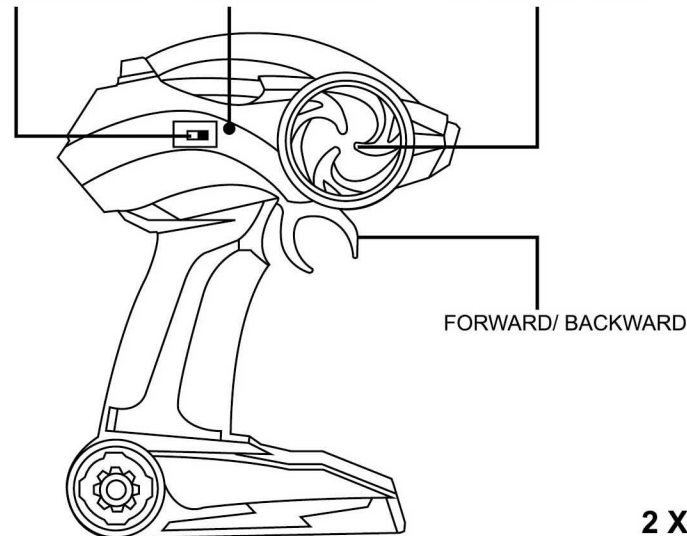
Battery chargers used with the toy are to be regularly examined for damage to the cord, plug, enclosure and other parts, and in the event of such damage, they must not be used until the damage has been repaired.

The USB charger indicator light would light up, showing charging is in progress. When the charging is complete, the indicator light would turn off.



HOW TO OPERATE

POWER SWITCH
INDICATOR LIGHT
LEFT / RIGHT TURN



FORWARD/ BACKWARD

2 X 1.5V "AA" BATTERIES (NOT INCLUDED)

WARNING:

1. Rechargeable batteries are to be removed from the toy before being charged.
2. Rechargeable batteries are only to be charged under adult supervision.
3. Non-rechargeable batteries are not to be recharged.
4. Different types of batteries or new and used batteries are not to be mixed.
5. Only batteries of the same or equivalent type as recommended are to be used.
6. Batteries are to be inserted with the correct polarity.
7. Exhausted batteries are to be removed from the toy.
8. The supply terminals are not to be short-circuited.
9. Do not touch wheels or tires when they are in motion.
10. Do not collide with humans or any animals to avoid accident from occurring.
11. The charger to be used with the sample should be regularly examined for potential hazard, such as damage to the cable or cord, plug, enclosure of other parts and that in the event of such damage, the sample must not be used until that damage had been properly removed.

CUSTOMER INFORMATION

- Packaging has to be kept since it contains important information.
- WARNING! Not suitable for children under 36 months. CHOKING HAZARD
- Where applicable, remove all packaging before giving this item to your child.
- The toy is only to be connected to Class II equipment bearing the following symbol.
- Contents may vary in style, colour, shape and decoration from images shown on package or in advertising.
- Please ensure to deactivate both the vehicle and transmitter by switching them OFF after play.

تحذير: مخاطر الاختناق أجزاء صغيرة غير مناسبة للاطفال دون سن الثالثة
WARNING: CHOKING HAZARD - Small parts not suitable for children under 3 years

معلومات للتعديل
يرجى الاحتفاظ بهذه المعلومات ليرجع لها في المستقبل.
تحذير! غير مناسبة للأطفال تحت سن 36 شهر يجب تجنب القمع الصغيرة.
قد تتلف الأذن والسماعات عن الأخطاء الطائفة.
حيث ينبغي وضع زوايا التحذير كإشارة إعطاء هذا التحذير.
مصنوعة في الصين
يجب الاحتفاظ بالتغليف بما أنه يحتوي على معلومات هامة.



§ 15.19 Labelling requirements.
This device complies with part 15 of the FCC Rules. Operation is subject to the following two conditions: (1) This device may not cause harmful interference, and (2) this device must accept any interference received, including interference that may cause undesired operation.
§ 15.21 Information to user.
Any Changes or modifications not expressly approved by the party responsible for compliance could void the user's authority to operate the equipment.
§ 15.105 Information to the user.
Note: This equipment has been tested and found to comply with the limits for a Class B digital device, pursuant to part 15 of the FCC Rules. These limits are designed to provide reasonable protection against harmful interference in a residential installation. This equipment generates uses and can radiate radio frequency energy and, if not installed and used in accordance with the instructions, may cause harmful interference to radio communications. However, there is no guarantee that interference will not occur in a particular installation. If this equipment does cause harmful interference to radio or television reception, which can be determined by turning the equipment off and on, the user is encouraged to try to correct the interference by one or more of the following measures:
-Reorient or relocate the receiving antenna.
-Increase the separation between the equipment and receiver.
-Connect the equipment into an outlet on a circuit different from that to which the receiver is connected.
-Consult the dealer or an experienced radio/TV technician for help.



* RF warning for Portable device:
The device has been evaluated to meet general RF exposure requirement. The device can be used in portable exposure condition without restriction.