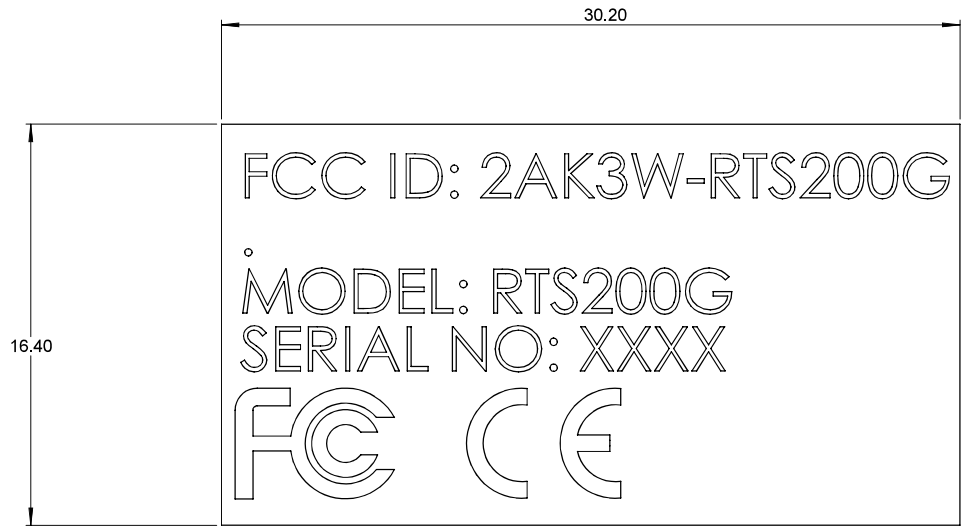


8 7 6 5 4 3 2 1

NOTES: UNLESS OTHERWISE SPECIFIED:

1. FCC IDENTIFIER MARKING TO BE SIZED APPROXIMATELY AS SHOWN, FONT SIZE 7PT.
2. DEVICE TO BE PERMANENTLY MARKED FOR LIFE OF PRODUCT BY LASER ETCHING OR ADHESIVE BACKED LABEL.
3. SEE DEVICE USER MANUAL FOR FCC CERTIFICATION STATEMENT IAW PART 15, 19(A)(3), INDUSTRY CANADA (IC) STATEMENT, AND EUROPEAN TELECOMMUNICATIONS STANDARDS INSTITUTE (ETSI) STATEMENT
- 4.

REVISIONS			
REV	DESCRIPTION	DATE	INITIALS
A	ENGINEERING RELEASE	2023-10-19	M.T.
B	HYPHEN REMOVED	2024-05-04	M.T.



D

C

B

A

D

C

B

A

PROPRIETARY AND CONFIDENTIAL THE INFORMATION CONTAINED IN THIS DRAWING IS THE SOLE PROPERTY OF PANERATECH, INC. ANY REPRODUCTION IN PART OR AS A WHOLE WITHOUT THE WRITTEN CONSENT OF PANERATECH, INC. IS PROHIBITED	UNLESS OTHERWISE SPECIFIED DIMENSIONS ARE IN MILLIMETERS & TOLERANCES ARE AS FOLLOWS: 0mm UP TO 6mm ± 0.2 OVER 6mm UP TO 120mm ± 0.75 TOL ON ANGLE 1 PL ± 0.5° TOL ON ANGLE 2 PL ± 0.05° INTERPRET DIM AND TOL PER ASME Y14.5-2009	APPROVAL	NAME	DATE	PANERATECH, INC.
		DRAWN	MINH TRAN	2023-10-19	
		CHECKED			
		MFG ENG			
		PROJ ENG			TITLE PT-200G FCC LABEL
	THIRD ANGLE PROJECTION 	SIZE B DWG NO RTS200G-1000-01 REV A		SCALE: 5:1 SHEET 1 OF 3	
TEMPLATE: PT2021-12-21					

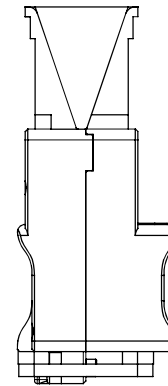
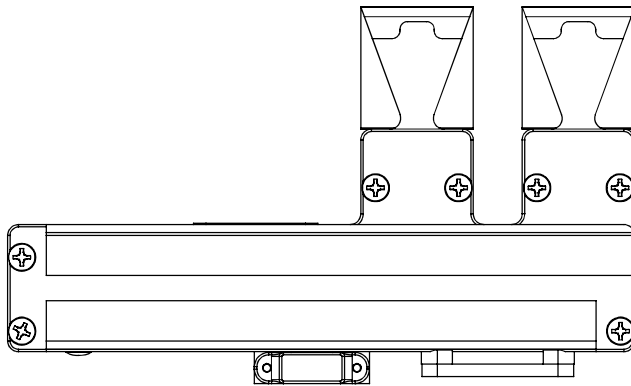
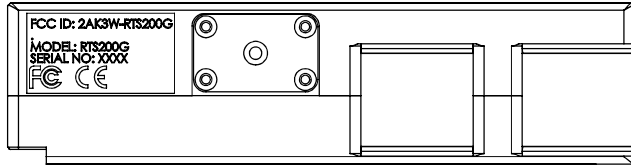
8 7 6 5 4 3 2 1

8 7 6 5 4 3 2 1

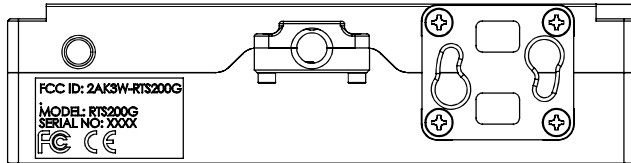
NOTES: UNLESS OTHERWISE SPECIFIED:

1. FCC IDENTIFIER MARKING TO BE SIZED APPROXIMATELY AS SHOWN, FONT SIZE 7PT.
2. DEVICE TO BE PERMANENTLY MARKED FOR LIFE OF PRODUCT BY LASER ETCHING OR ADHESIVE BACKED LABEL.
3. SEE DEVICE USER MANUAL FOR FCC CERTIFICATION STATEMENT IAW PART 15.19(A)(3), INDUSTRY CANADA (IC) STATEMENT,
4. AND EUROPEAN TELECOMMUNICATIONS STANDARDS INSTITUTE (ETSI) STATEMENT

REVISIONS			
REV	DESCRIPTION	DATE	INITIALS
A	ENGINEERING RELEASE	2023-10-19	M.T.



LABEL POSITIONS ON 200G PROBE



PROPRIETARY AND CONFIDENTIAL

THE INFORMATION CONTAINED IN THIS DRAWING IS THE SOLE PROPERTY OF PANERATECH, INC. ANY REPRODUCTION IN PART OR AS A WHOLE WITHOUT THE WRITTEN CONSENT OF PANERATECH, INC. IS PROHIBITED

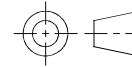
UNLESS OTHERWISE SPECIFIED DIMENSIONS ARE IN MILLIMETERS & TOLERANCES ARE AS FOLLOWS:
 0mm UP TO 6mm ± 0.2
 OVER 6mm UP TO 120mm ± 0.75
 TOL ON ANGLE 1 PL $\pm 0.5^\circ$
 TOL ON ANGLE 2 PL $\pm 0.05^\circ$

INTERPRET DIM AND TOL PER ASME Y14.5-2009

TEMPLATE: PT2021-12-21

APPROVAL	NAME	DATE
DRAWN	MINH TRAN	2023-10-19
CHECKED		
MFG ENG		
PROJ ENG		

THIRD ANGLE PROJECTION



PANERATECH, INC.

TITLE
PT-200G FCC LABEL

SIZE	DWG NO	REV
B	RTS200G-1000-01	A
SCALE: 1:1	SHEET 2 OF 3	

8 7 6 5 4 3 2 1