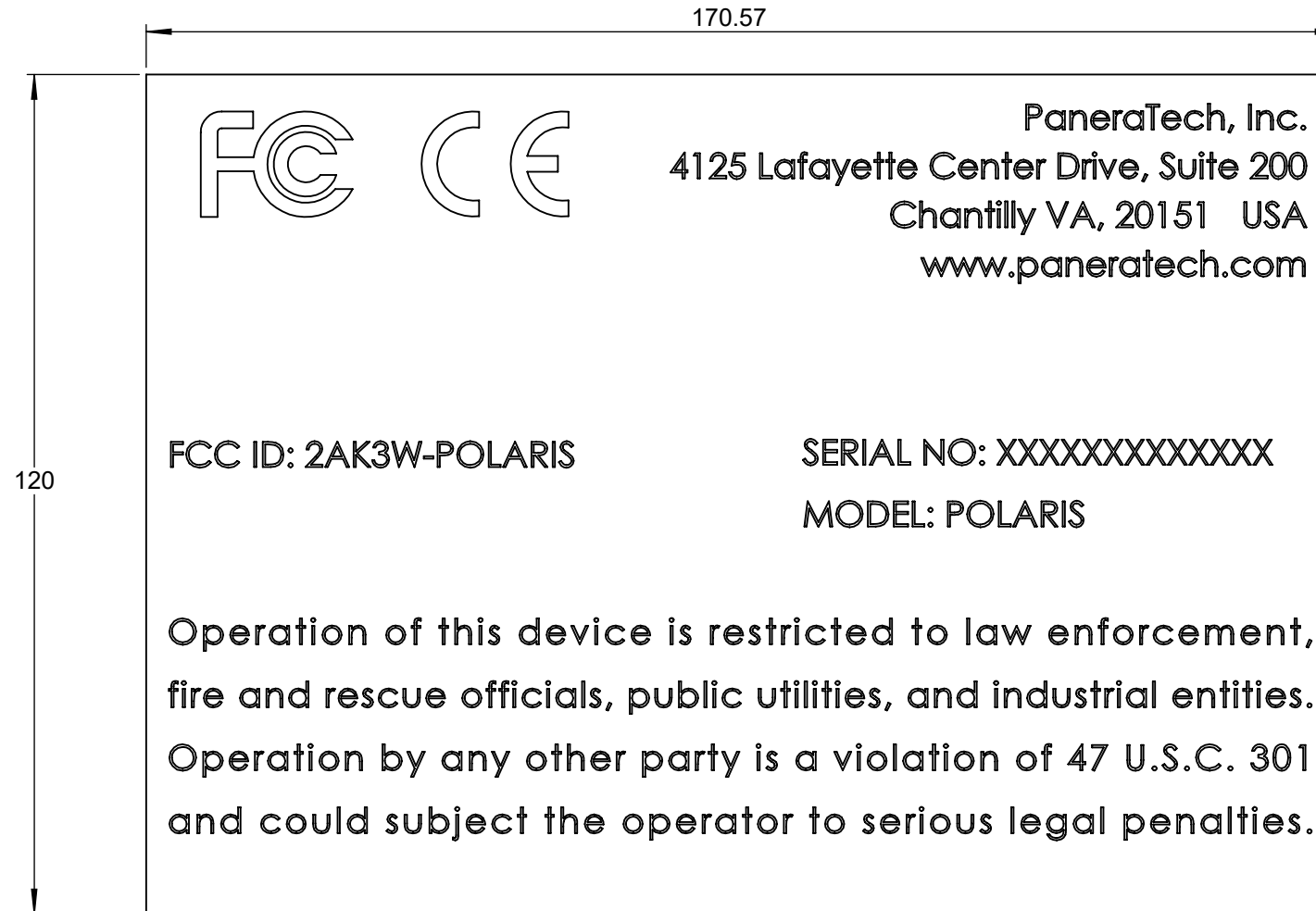



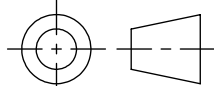
NOTES: UNLESS OTHERWISE SPECIFIED:

1. FCC IDENTIFIER MARKING TO BE SIZED APPROXIMATELY AS SHOWN, FONT SIZE 11PT.
2. DEVICE TO BE PERMANENTLY MARKED FOR LIFE OF PRODUCT BY LASER ETCHING OR ADHESIVE BACKED LABEL.
3. SEE DEVICE USER MANUAL FOR FCC CERTIFICATION STATEMENT IAW PART 15.19(A)(3), INDUSTRY CANADA (IC) STATEMENT, AND EUROPEAN TELECOMMUNICATIONS STANDARDS INSTITUTE (ETSI) STATEMENT

REVISIONS			
REV	DESCRIPTION	DATE	INITIALS
A	ENGINEERING RELEASE	2023-11-30	M.T.
B	ADDITIONAL CLAUSE ADDED	2024-04-05	M.T.
C	HYPHEN REMOVED	2024-05-03	M.T.



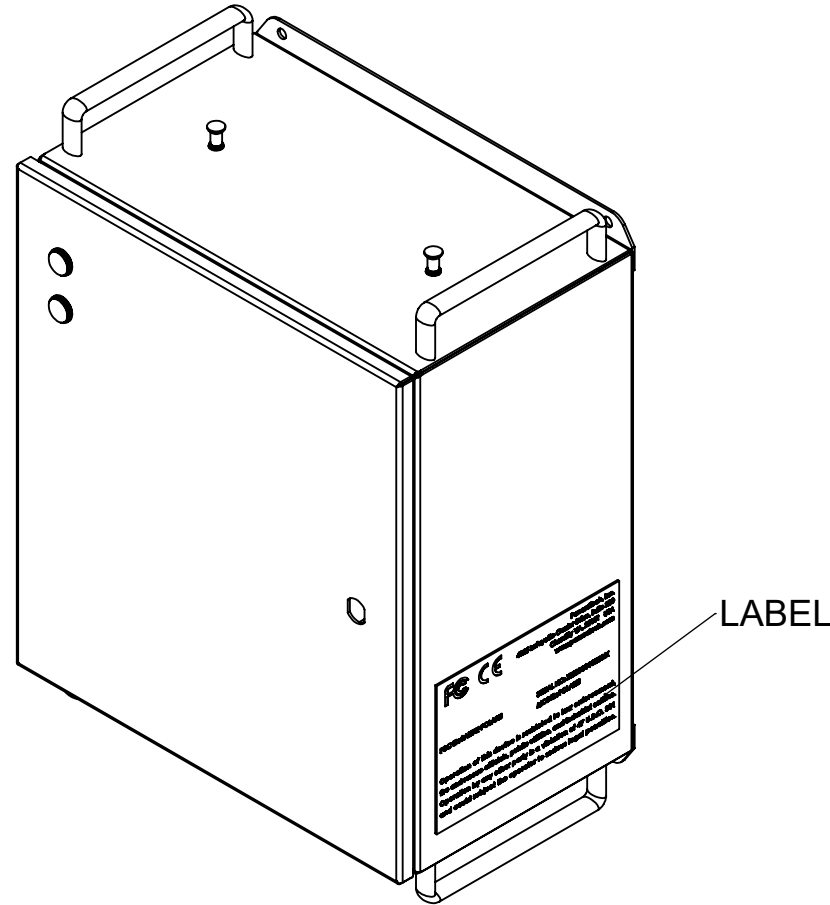
ⓑ

PROPRIETARY AND CONFIDENTIAL THE INFORMATION CONTAINED IN THIS DRAWING IS THE SOLE PROPERTY OF PANERATECH, INC. ANY REPRODUCTION IN PART OR AS A WHOLE WITHOUT THE WRITTEN CONSENT OF PANERATECH, INC. IS PROHIBITED	UNLESS OTHERWISE SPECIFIED DIMENSIONS ARE IN MILLIMETERS & TOLERANCES ARE AS FOLLOWS: 0mm UP TO 6mm ± 0.2 OVER 6mm UP TO 120mm ± 0.75 TOL ON ANGLE 1 PL ± 0.5° TOL ON ANGLE 2 PL ± 0.05° INTERPRET DIM AND TOL PER ASME Y14.5-2009	APPROVAL	NAME	DATE	 PANERATECH, INC.
		DRAWN	MINH TRAN	2023-11-30	
		CHECKED			
		MFG ENG			
		PROJ ENG			TITLE
		THIRD ANGLE PROJECTION			PT-01-000 FCC LABEL
					SIZE B DWG NO PT-01-1000-01 REV A
TEMPLATE: PT2021-12-21					SCALE: 5:1 SHEET 1 OF 2


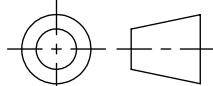
NOTES: UNLESS OTHERWISE SPECIFIED:

1. FCC IDENTIFIER MARKING TO BE SIZED APPROXIMATELY AS SHOWN, FONT SIZE 11PT.
2. DEVICE TO BE PERMANENTLY MARKED FOR LIFE OF PRODUCT BY LASER ETCHING OR ADHESIVE BACKED LABEL.
3. SEE DEVICE USER MANUAL FOR FCC CERTIFICATION STATEMENT IAW PART 15.19(A)(3), INDUSTRY CANADA (IC) STATEMENT, AND EUROPEAN TELECOMMUNICATIONS STANDARDS INSTITUTE (ETSI) STATEMENT

REVISIONS			
REV	DESCRIPTION	DATE	INITIALS
A	ENGINEERING RELEASE	2023-11-30	M.T.
B	ADDITIONAL CLAUSE ADDED	2024-04-05	M.T.



LABEL POSITIONS ON CCU ASSEMBLY

PROPRIETARY AND CONFIDENTIAL THE INFORMATION CONTAINED IN THIS DRAWING IS THE SOLE PROPERTY OF PANERATECH, INC. ANY REPRODUCTION IN PART OR AS A WHOLE WITHOUT THE WRITTEN CONSENT OF PANERATECH, INC. IS PROHIBITED	UNLESS OTHERWISE SPECIFIED DIMENSIONS ARE IN MILLIMETERS & TOLERANCES ARE AS FOLLOWS: 0mm UP TO 6mm ± 0.2 OVER 6mm UP TO 120mm ± 0.75 TOL ON ANGLE 1 PL ± 0.5° TOL ON ANGLE 2 PL ± 0.05° INTERPRET DIM AND TOL PER ASME Y14.5-2009	APPROVAL	NAME	DATE	 PANERATECH, INC.			
		DRAWN	MINH TRAN	2023-11-30				
		CHECKED			TITLE			
		MFG ENG			PT-01-000 FCC LABEL			
		PROJ ENG			SIZE B	DWG NO	PT-01-1000-01	REV A
	TEMPLATE: PT2021-12-21	THIRD ANGLE PROJECTION 			SCALE: 1:1		SHEET 2 OF 2	