

Project	Eradico Gate	Type	Design Information
Task	Antenna	Author	Chris Ford
Date	27/06/23	Version	1

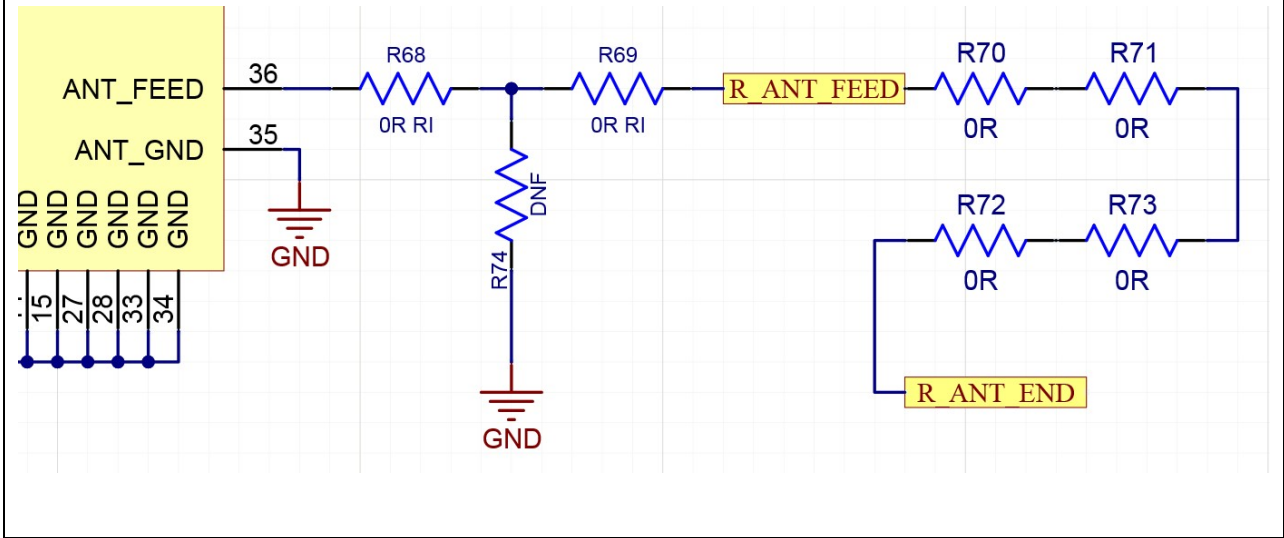
1. Overview

This document details the Antenna specification and design parameters as used in the Rentokil Initial Long Reach Eradico Gate design

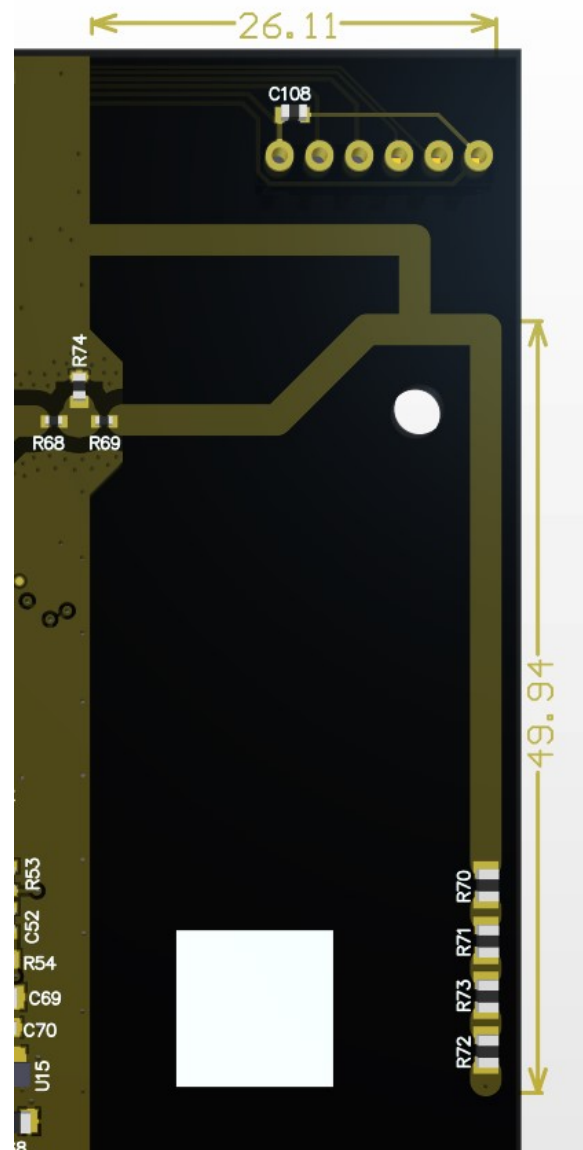
2. Specification

Specification	Value
Type	PIFA
Polarisation	Linear
Passband	860MHz.....930MHz
Gain	-4.1dBi maximum
VSWR	<1.8:1

3. Schematic



4. Dimensions

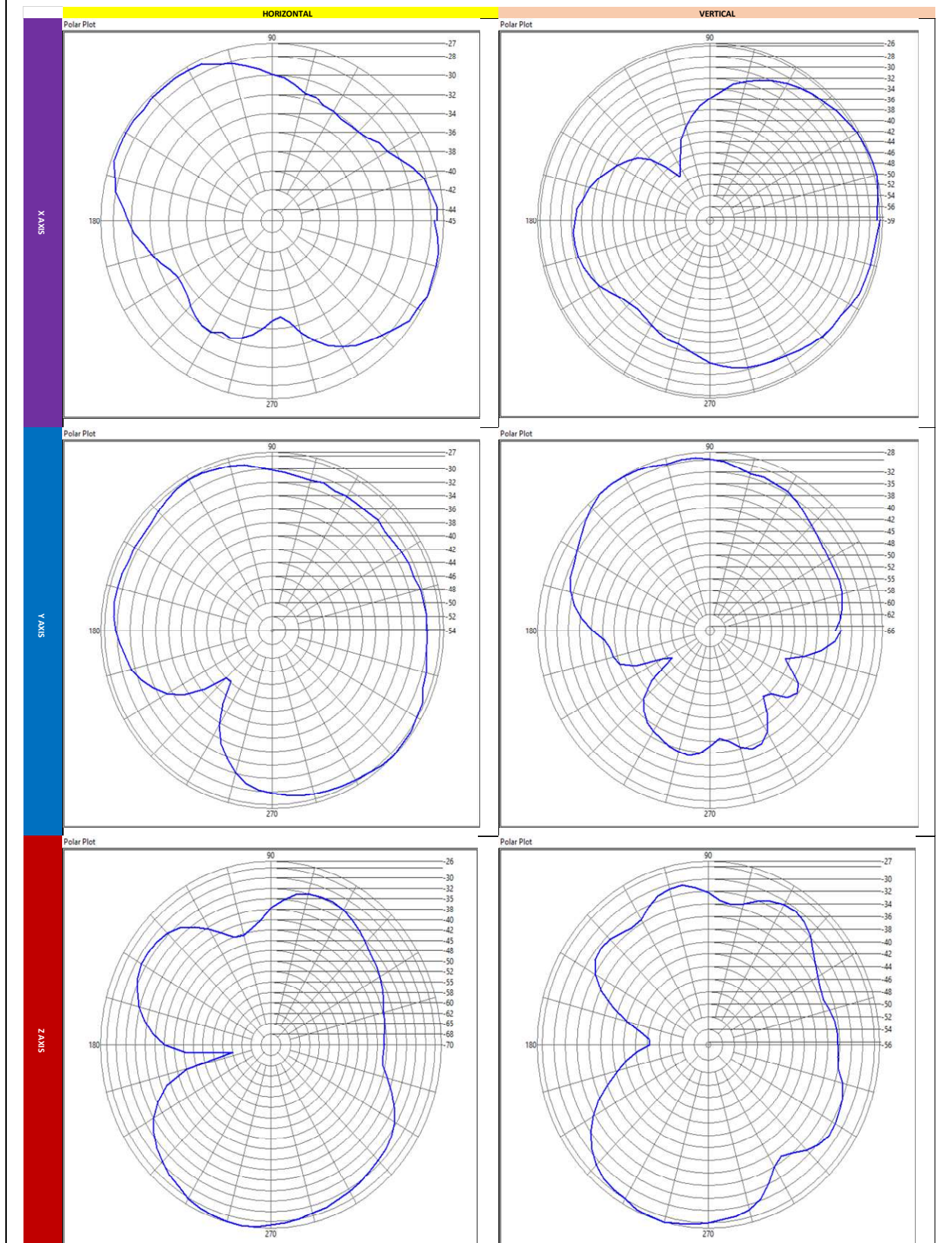


5. Test Setup

Testing was performed by Unit 3 Compliance Ltd
 2, Wellington Business Park
 New Lane
 Bradford
 West Yorkshire, UK
 BD4 8AL

<p style="text-align: center;">Measurement Set-up</p>	<p style="text-align: center;">Test Frequency example</p>
<p style="text-align: center;">X Axis</p>	<p style="text-align: center;">Y Axis</p>
<p style="text-align: center;">Z Axis</p>	

6. Polar Plots



7. Results

Max	-25.5
Xmax (H)	-25.5
Xmax (V)	-28.3
Mean	-34.7

By substitution & module output level, calculated peak gain = -4.1dBi