

6

5

4

3

2

1

D

D

C

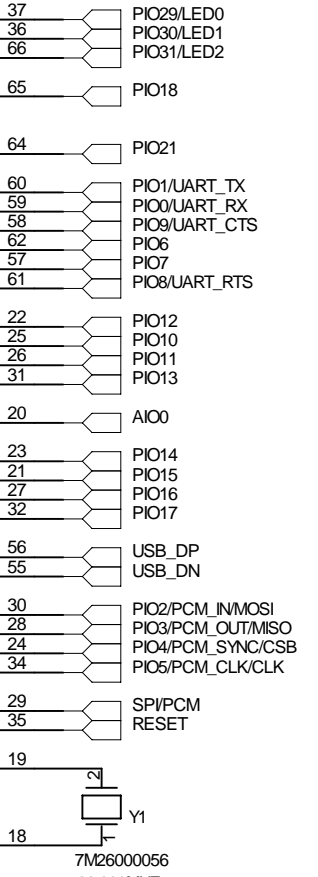
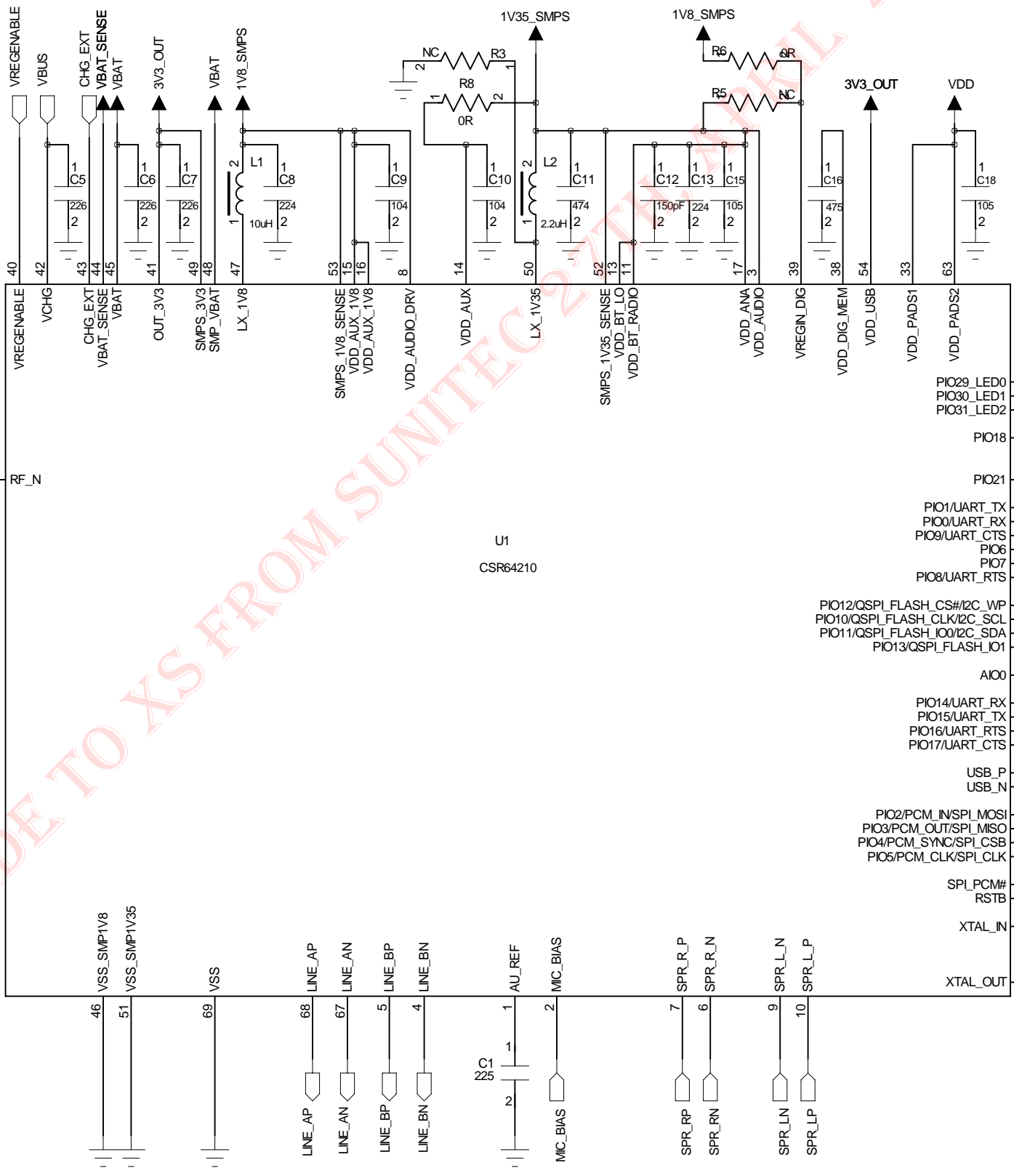
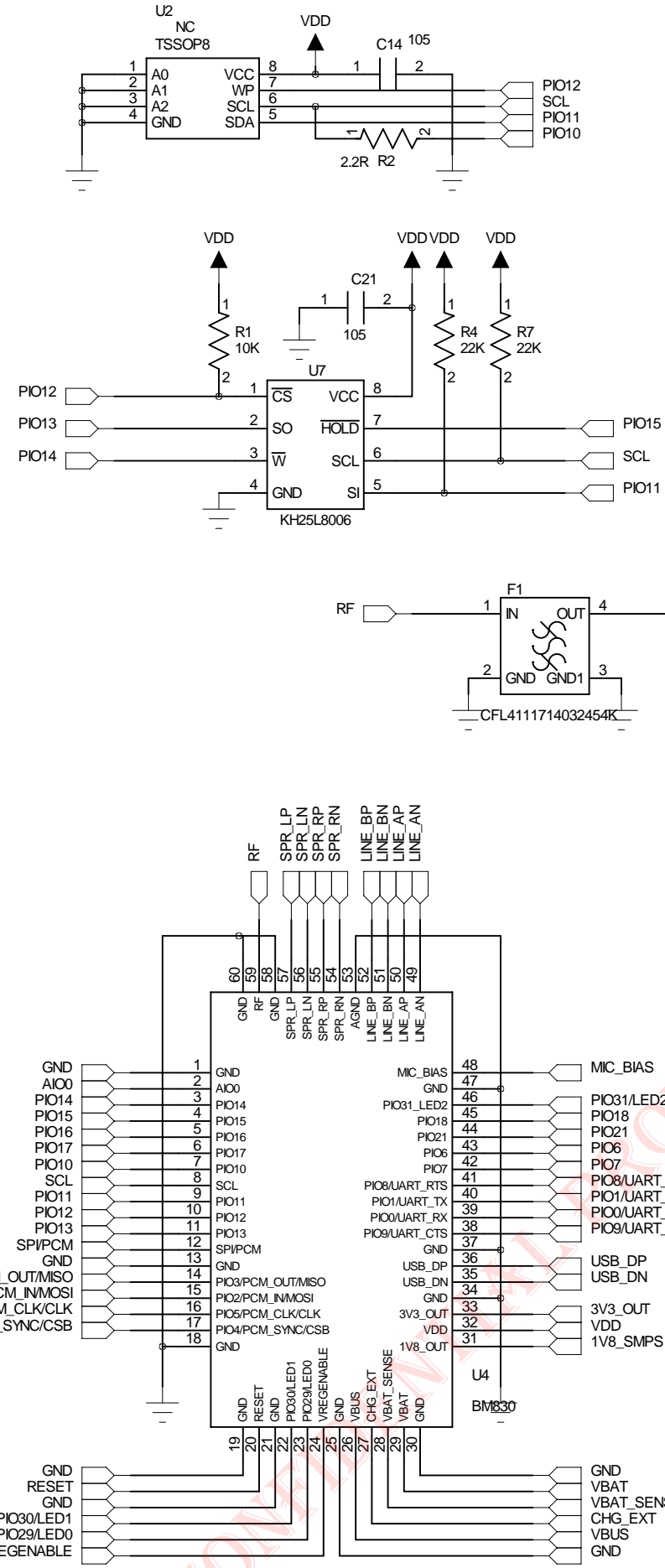
C

B

B

A

A



COMPANY:		
Project Name: BM6420		
Drawn:	Date:	Rev: V0.1