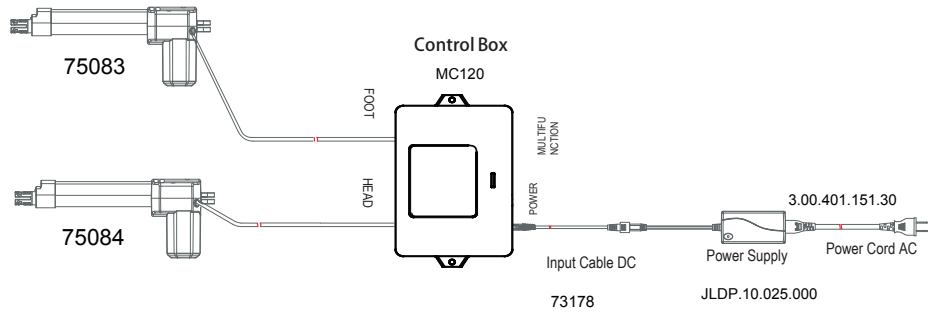


MC120 Function instruction

1. Electrical configuration diagram:



JLDK.27.10.01



MC120 Function instruction

2. Function Picture



2. Process of test

2.1. HEAD port

Connect to head actuator, control by remote single:

Click head up button on the remote, head actuator moves out, stop when released;

Click head down button, head actuator moves in, stop when released;

This function takes effect only by pressing the corresponding button on the remote.

2.2. FOOT port

Connect to foot actuator, control by remote single:

Click foot up button, foot actuator moves out, stop when released;

Click foot down button, foot actuator moves in, stop when released;

This function takes effect only by pressing the corresponding button on the remote.

2.3. MULTIFUNCTION port

Connect with the same other Control box or Other accessories;

2.4. Power LED& PAIRING LED

Power supply for control box, PAIRING LED of control box flashes for 4 times, and then turns off, POWER LED turns on.

2.5. Power

Connect to the 29V DC;

2.6. Test for underbed light

Click button of underbed light, turns on (or turns off) the underbed light, switch the status once when click once;

This function takes effect only by pressing the corresponding button on the remote.

MC120 Function instruction

FCC Warning:

Any Changes or modifications not expressly approved by the party responsible for compliance could void the user's authority to operate the equipment.

This device complies with part 15 of the FCC Rules. Operation is subject to the following two conditions: (1) This device may not cause harmful interference, and (2) this device must accept any interference received, including interference that may cause undesired operation.

ISED RSS Warning:

This device complies with Innovation, Science and Economic Development Canada licence exempt RSS standard(s). Operation is subject to the following two conditions: (1) this device may not cause interference, and (2) this device must accept any interference, including interference that may cause undesired operation of the device.

Le présent appareil est conforme aux CNR d'ISED applicables aux appareils radio exempts de licence.

L'exploitation est autorisée aux deux conditions suivantes:

- (1) l'appareil ne doit pas produire de brouillage, et
- (2) l'utilisateur de l'appareil doit accepter tout brouillage radioélectrique subi, même si le brouillage est susceptible d'en compromettre le fonctionnement.

ISED RF exposure statement:

This equipment complies with ISED radiation exposure limits set forth for an uncontrolled environment.

This equipment should be installed and operated with minimum distance 20cm between the radiator & your body. This transmitter must not be co-located or operating in conjunction with any other antenna or transmitter. Le rayonnement de la classe B respecte ISED fixaient un environnement non contrôlés. Installation et mise en œuvre de ce matériel devrait avec échangeur distance minimale entre 20 cm ton corps. Lanceurs ou ne peuvent pas coexister cette antenne ou capteurs avec d'autres.