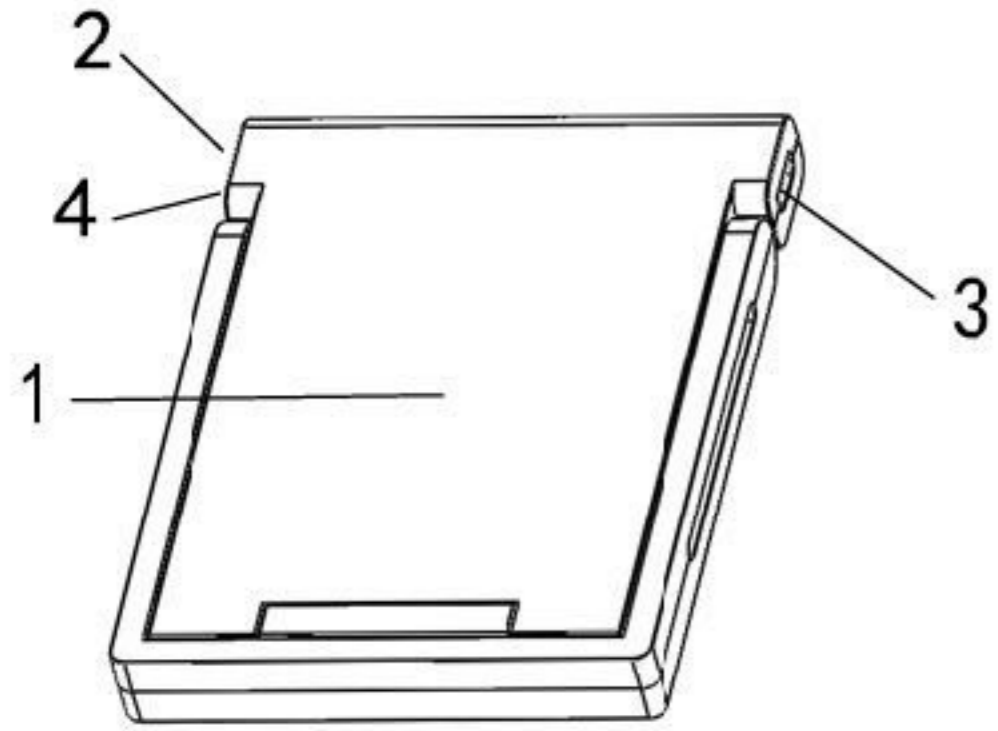


# Rectangle Wireless Charging Pad

## Instruction Manual



1. Wireless Charging Pad
2. Power Indicator
3. Charging Input Port
4. Wireless Charging Indicator

### What's included:

- 1 x Wireless Charging Pad
- 1 x USB to Micro-USB charging cable
- 1 x Instruction Manual

### Tech Specifications

- Input power: DC 5V/1500 mAh
- Output power: 5V/1A
- Product size: 80 x 55 x 30 mm
- 60cm standard black color Micro-USB cable

### Instructions:

1. Use a certified USB adapter, connect the
  - a. provided Micro-USB cable to the USB adapter.
  - b. Use Micro-USB tip to connect to the input port on the charging pad.
2. Charging mobile devices:
  - a. Check your phone or tablet supporting with wireless charging, it will be listed in the manufacturer's specifications.
  - b. Simply place the enabled device atop the wireless charging pad. Your device should show the charging indication.
  - c. When completely charged, remove the device from the charging pad.

\* Note: In order to charge devices, use only the accessory cable or the cable included with your own device by the manufacturer.

### SAFETY PRECAUTIONS:

1. WARNING—When using this product, basic precautions should always be followed, including the following:
2. Read all the instructions before using the product.
3. To reduce the risk of injury, close supervision is necessary when the product is used near children.
4. Do not expose the device to moisture.
5. Do not use the device in excess of its output rating. Overload outputs above rating may result in a risk of fire or injury.
6. Do not use the device if damaged or modified.
7. Damaged or modified batteries may exhibit unpredictable behavior resulting in fire, explosion or risk of injury.

8. Do not disassemble the device. Take it to a qualified service person when service or repair is required. Incorrect reassembly may result in a risk of fire or injury.
9. Do not expose the device to fire or excessive temperature. Exposure to fire or temperatures above 212°F may cause explosion.
10. Have servicing performed by a qualified repair person using only identical replacement parts.
11. This will ensure that the safety of the product is maintained.
12. Do not overcharge Phone. Unit may get hot with excessive use. Remove Phone when it is fully charged. Never charge for more than 7 hours at a time.

### Wireless Charging Enabled Devices:

iPhone 8/8Plus/X, Samsung Galaxy S8/S8+/S7/S7 Edge/S6/S6 Edge, Nokia Lumia 1020/920/928, HTC 8X, HTC Droid DNA, HTC Rzound, HTC Incredibly 4G LTE, Moto Droid Turbo, Motorola Moto 360 Smart Watch, Moto Droid Maxx, Droid Mini, Google Nexus 6/4/5/7 (2013), LG D1L, LG LTE2, LG G2 (Verizon), Blackberry Z30 (Verizon)

### RF Exposure Warning Statements:

This equipment complies with FCC radiation exposure limits set forth for an uncontrolled environment. This equipment shall be installed and operated with minimum distance 20cm between the radiator & body.

NOTE: This equipment has been tested and found to comply with the limits for a Class B digital device, pursuant to part 15 of the FCC Rules. These limits are designed to provide reasonable protection against harmful interference in a residential installation. This equipment generates uses and can radiate radio frequency energy and, if not installed and used in accordance with the instructions, may cause harmful interference to radio communications. However, there is no guarantee that interference will not occur in a particular installation. If this equipment does cause harmful interference to radio or television reception, which can be determined by turning the equipment off and on, the user is encouraged to try to correct the interference by one or more of the following measures:

- Reorient or relocate the receiving antenna.
- Increase the separation between the equipment and receiver.
- Connect the equipment into an outlet on a circuit different from that to which the receiver is connected.
- Consult the dealer or an experienced radio/TV technician for help

Changes or modifications not expressly approved by the party responsible for compliance could void the user's authority to operate the equipment.

This device complies with Part

15 of the FCC Rules. Operation is subject to the following two conditions:

- (1) this device may not cause harmful interference, and
- (2) this device must accept any interference received, including interference that may cause undesired operation.

Made in China