



SPECIFICATION

APPLICATION FOR APPROVAL

CUSTOMER : SUNSEA IOT
CS P/N : SX0272000053
PART NAME : WiFi Antenna 2.4G&5.8G
DEVE NO. : AUK02016B-2.4G&5.8G
PART NO. : B92240-90
DATE : Sep 7, 2021

Customer Approval			
RF Engineer	ME Engineer	R&D Manger	PRODUCT Manger
AUDEN COMMUNICATIONS&MULTIMEDIA TECHNO (KUNSHAN) CO. LTD			
RF Engineer	ME Engineer	R&D Manger	PRODUCT Manger
Jie.lv	Hongxue.che	Weifan.fan	Jianjun.mao

Head Quarter

AUDEN COMMUNICATIONS&MULTIMEDIA
TECHNO (KUNSHAN) CO.LTD
NO.15 YING-BIN ROAD, LUYANG TOWN, KUNSHAN ,
JIANGSU CHINA

Branch Office

AUDEN COMMUNICATIONS&MULTIMEDIA
TECHNO (KUNSHAN) CO.LTD BRANCH OFFICE OF XI'AN

No. 10 Tangyannan Road, High-tech Zone, Xi'an City,
Shaanxi Province-Emur106, Zhongxing Industrial Park

CONFIDENTIAL

This message contains information that may be confidential and privileged. Unless you are the addressee (or authorized to receive messages for the addressee), you can not use, copy or disclose to any third party or any information contained in the message. If you have received the message in error, please advise the sender by reply e-mail and delete the message. Nothing in this message should be interpreted as a digital or electronic signature that can be used to authenticate a contract or other legal document. Thank you very much.


INDEX

- 一、 Cover
- 二、 Index
- 三、 The Basic Parameters
- 四、 RF Performance Test Report
- 五、 Product Drawing
- 六、 Packing

CONFIDENTIAL

This message contains information that may be confidential and privileged. Unless you are the addressee (or authorized to receive messages for the addressee), you can not use, copy or disclose to any third party or any information contained in the message. If you have received the message in error, please advise the sender by reply e-mail and delete the message. Nothing in this message should be interpreted as a digital or electronic signature that can be used to authenticate a contract or other legal document. Thank you very much.

The Basic Parameters

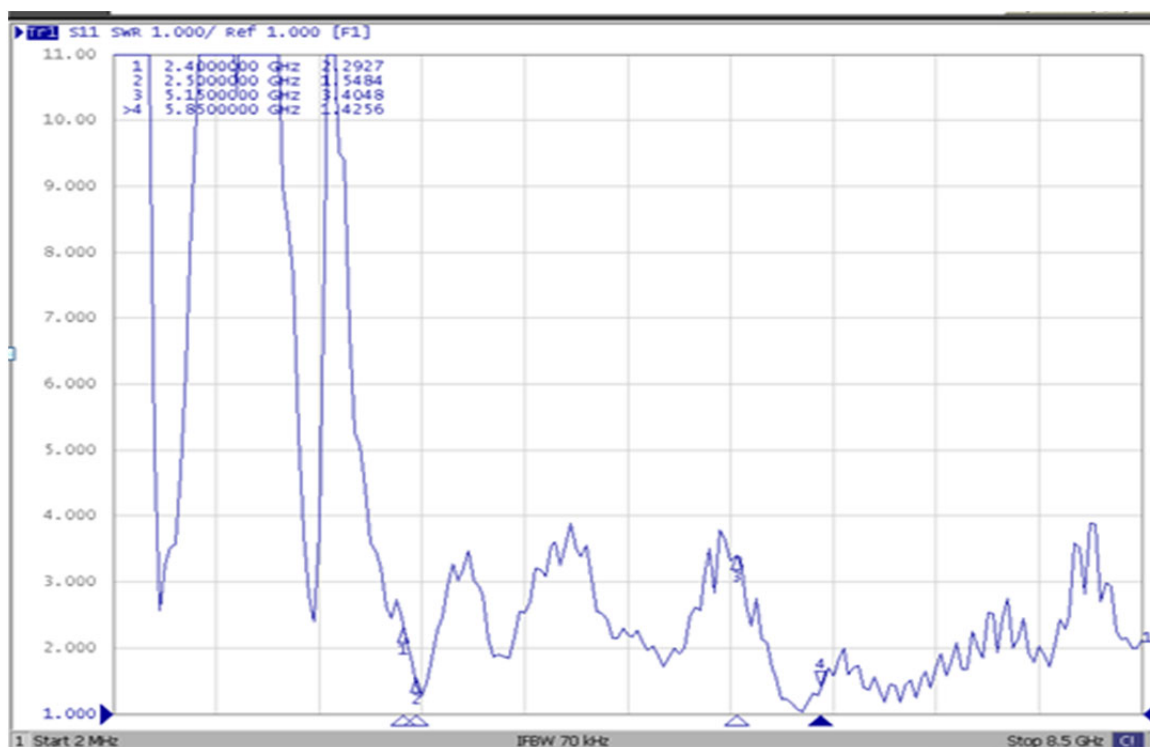
Item	Specifications
Structure	Rubber Stick-SMA-J
Frequency	2400-2500MHz & 5000-5865MHz
V. S. W. R	≤ 2.0
Gain	≤ 5.0
Size	207 \pm 3mm*13.5mm
Impedance	50 Ω
connector	SMA-J
Operation temperature	-40°C to 85°C
Storage temperature	-40°C to 85°C
Humidity	Non-condensing 65°C 95% RH
Product picture	

CONFIDENTIAL

This message contains information that may be confidential and privileged. Unless you are the addressee (or authorized to receive messages for the addressee), you can not use, copy or disclose to any third party or any information contained in the message. If you have received the message in error, please advise the sender by reply e-mail and delete the message. Nothing in this message should be interpreted as a digital or electronic signature that can be used to authenticate a contract or other legal document. Thank you very much.

RF Performance Test Report

Freque ncy	Efficiency Total (%)	Gain Total (dBi)	Freque ncy	Efficiency Total (%)	Gain Total (dBi)
2.4G	56.62	3.11	5.15G	61.09	1.65
2.41G	58.88	3.35	5.2G	55.98	1.45
2.42G	61.38	3.57	5.25G	54.2	1.33
2.43G	60.53	3.53	5.3G	61.8	1.78
2.44G	62.37	3.58	5.35G	57.41	1.39
2.45G	69.34	4.01	5.4G	62.37	2.15
2.46G	68.87	3.82	5.45G	66.07	2.84
2.47G	69.66	3.73	5.5G	61.38	2.77
2.48G	72.95	3.82	5.55G	52.72	2.01
2.49G	72.44	3.73	5.6G	50.58	1.23
2.5G	72.28	3.68	5.65G	50.47	1.9
			5.7G	64.42	3.2
			5.75G	62.66	3.1
			5.8G	73.62	3.57
			5.85G	91.83	4.32



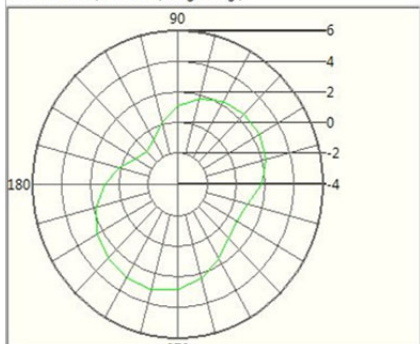
CONFIDENTIAL

This message contains information that may be confidential and privileged. Unless you are the addressee (or authorized to receive messages for the addressee), you can not use, copy or disclose to any third party or any information contained in the message. If you have received the message in error, please advise the sender by reply e-mail and delete the message. Nothing in this message should be interpreted as a digital or electronic signature that can be used to authenticate a contract or other legal document. Thank you very much.

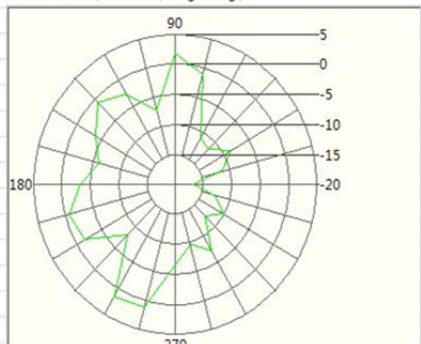
2D report

2.4G

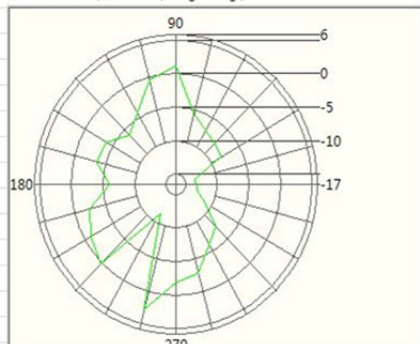
Excel XY Plot (Value dB / Angle deg.)



Excel XY Plot (Value dB / Angle deg.)

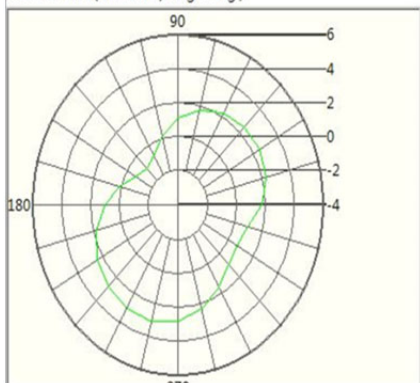


Excel XY Plot (Value dB / Angle deg.)

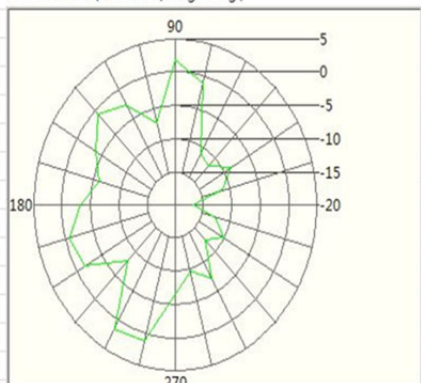


2.45G

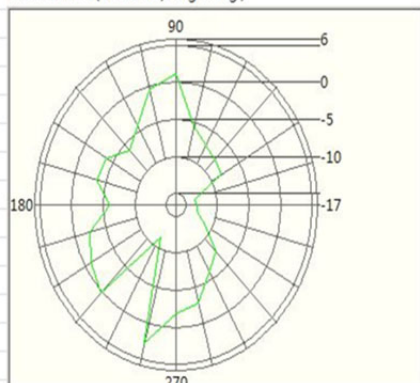
Excel XY Plot (Value dB / Angle deg.)



Excel XY Plot (Value dB / Angle deg.)



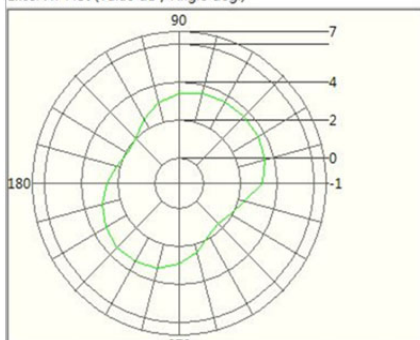
Excel XY Plot (Value dB / Angle deg.)



2.5G

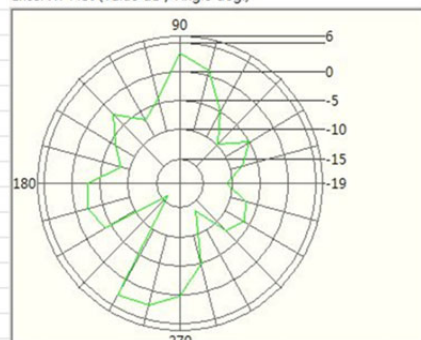
2.5GHz H

Excel XY Plot (Value dB / Angle deg.)



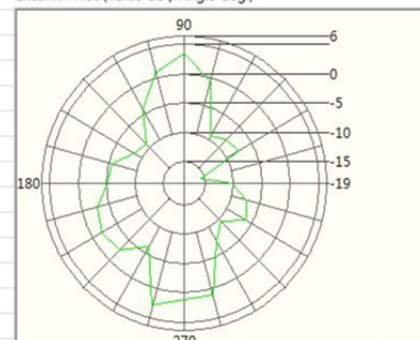
2.5GHz E1

Excel XY Plot (Value dB / Angle deg.)



2.5GHz E2

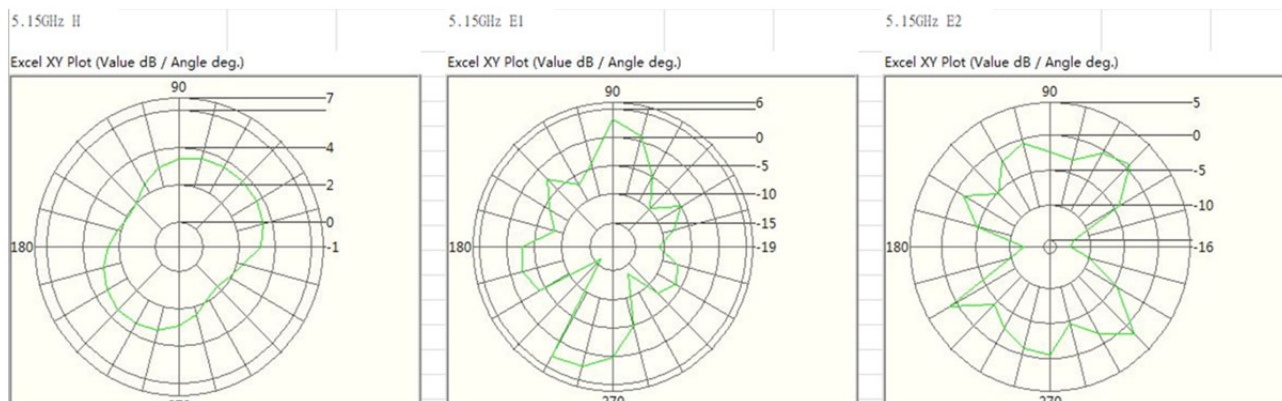
Excel XY Plot (Value dB / Angle deg.)



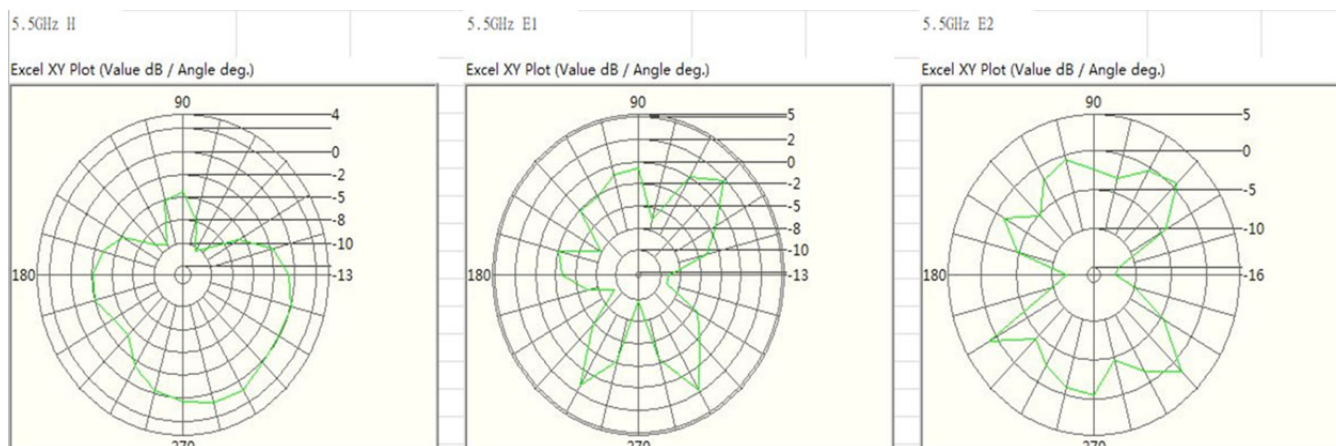
CONFIDENTIAL

This message contains information that may be confidential and privileged. Unless you are the addressee (or authorized to receive messages for the addressee), you can not use, copy or disclose to any third party or any information contained in the message. If you have received the message in error, please advise the sender by reply e-mail and delete the message. Nothing in this message should be interpreted as a digital or electronic signature that can be used to authenticate a contract or other legal document. Thank you very much.

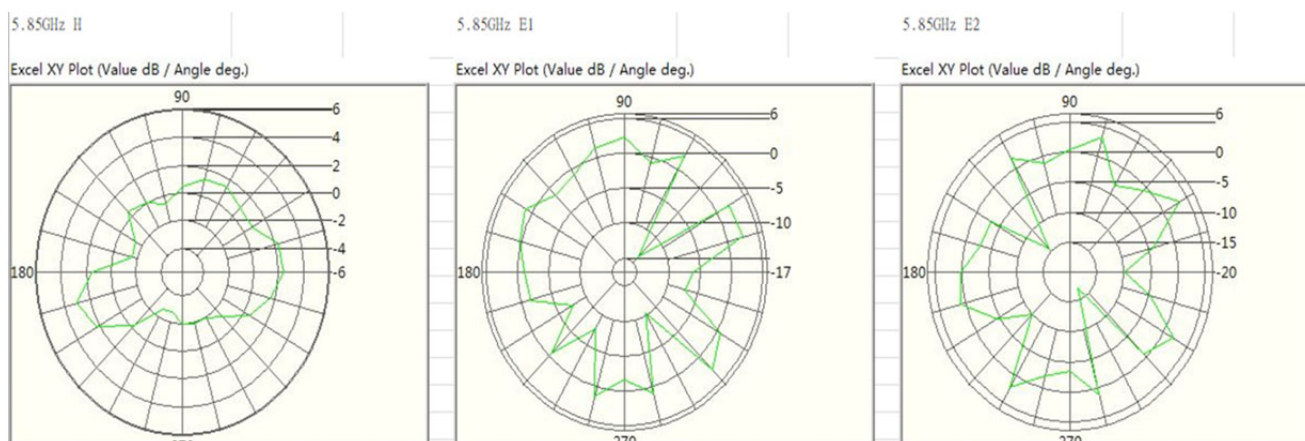
5.15G



5.5G



5.85G



CONFIDENTIAL

This message contains information that may be confidential and privileged. Unless you are the addressee (or authorized to receive messages for the addressee), you can not use, copy or disclose to any third party or any information contained in the message. If you have received the message in error, please advise the sender by reply e-mail and delete the message. Nothing in this message should be interpreted as a digital or electronic signature that can be used to authenticate a contract or other legal document. Thank you very much.

Product Drawing

工程变更单号	EDITION 版本	CUSTOMER EDITION 客户版本	AREA 区域	DATE 日期	CONTENT OF CHANGES 变更事项
	A00			Sep-06-21	新图发行

天线电气参数		结构特性	
中心频率	2.4GHz/5.8GHz	结构组成	塑胶杆套+SMA+PCB/弹簧
增益	≤ 5.0	尺寸	207*13.5
驻波比	≤ 2.0	线材规格	RG316
辐射方式	全向	接头形式	SMA公头内针
特性阻抗	50Ω	工作温度	-30℃~80℃
		工作湿度	Non-condensing 65℃95%RH

8	杆套	TPEE (黑色)	1	细火花纹
7	PCB+弹簧	FR-4/黄铜线	1	绿色阻油/OD1.0黄铜线
6	铆钉	PA+ABS (黑色)	2	/
5	上底座	PA+ABS (黑色)	1	细火花纹
4	电缆线	RG316	1	剥线镀锡
3	标签	防水PET	1	白底黑字, T0.05
2	下底座	PA+ABS (黑色)	1	细火花纹
1	SMA	HPB59-1	1	中心针镀金, 外套电泳黑
序号	名称	材料	用量	产品描述

技术要求:

- 1、图中所标注尺寸为1QC必测尺寸;
- 2、各零部件组装要牢固可靠;
- 3、成品信号参数要达到指定数值;
- 4、产品需按要求包装好, 运输过程中不能有明显挤压变形等现象;
- 5、未经确认, 材质及工艺要求等不能随意更改;
- 6、产品需符合(RoHS+HF)标准;

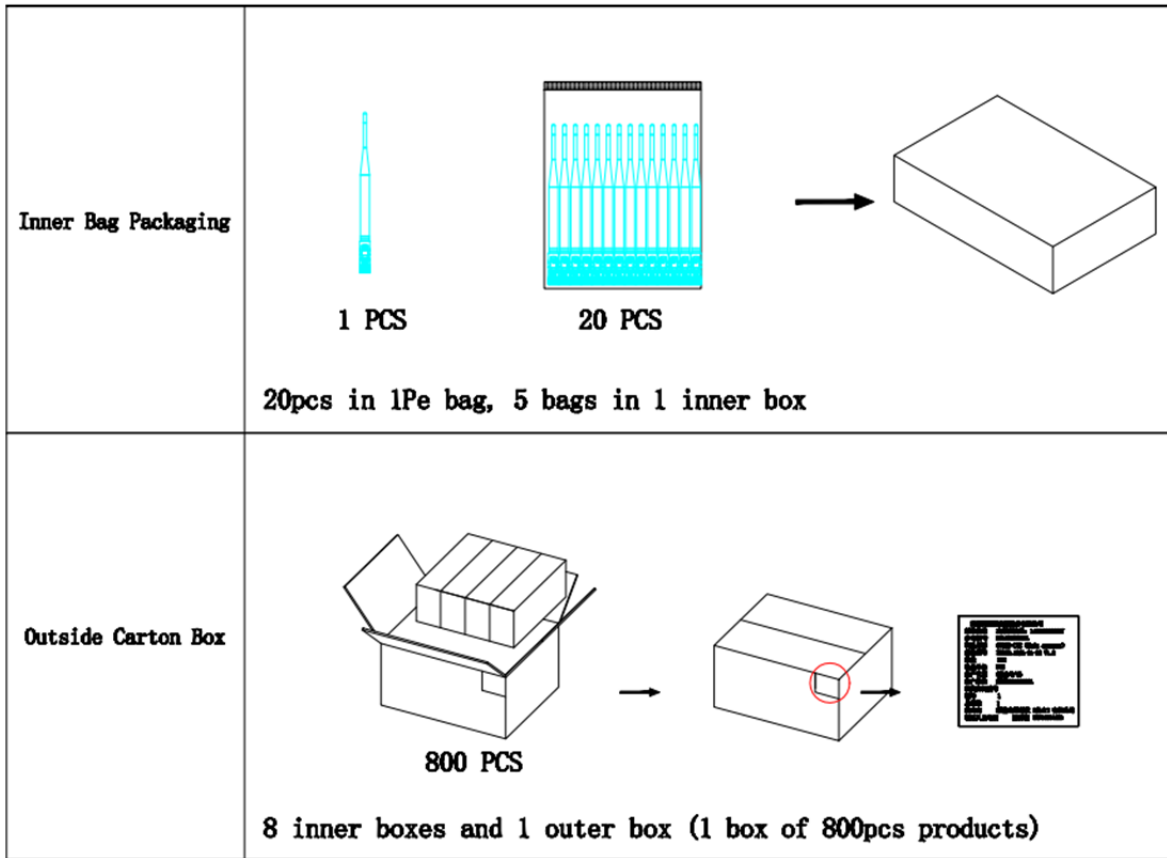
注: 标注1A, 2A, 3A---等尺寸为重点尺寸, 总注 1A, 全尺寸共 1个(不含重点尺寸)				表面加工	
图名	图号	料号	表面处理	适用机种	开发案号
总装		B92240-90		B92240-90	AUK02016-WIFI
材质	/	投影			双频杆套天线
单位	MM 比例 1:1				
文件编号/版本					
AD-QP-0002-24/B				共 1 页	第 1 页
摩登电通科技(昆山)有限公司 AUDEN TECHNO (KUNSHAN)CO.,LTD			作成	王双林	检图
			确认		

环境物质要求:	
铜 Cu	<100 ppm
汞 Hg	<1000ppm
铅 Pb	<1000ppm
六价铬 Cr(VI)	<1000ppm
多溴联苯 PBBs	<1000ppm
多溴二苯醚 PBDEs	<1000ppm
邻苯二甲酸二辛酯	<1000ppm
邻苯二甲酸二丁酯	<1000ppm
邻苯二甲酸甲苯基丁酯	<1000ppm
附: 产品需符合相应外观检验标准及可靠度测试要求	
RF: (无遗漏)	
BR<900, CL<900, BR+CL<1500	
DIMENSION TOLERANCE	
6以下	±0.05
6以上~30	±0.1
30以上~120	±0.15
120以上~315	±0.20
315以上~1000	±0.3
1000以上~2000	±0.5

CONFIDENTIAL

This message contains information that may be confidential and privileged. Unless you are the addressee (or authorized to receive messages for the addressee), you can not use, copy or disclose to any third party or any information contained in the message. If you have received the message in error, please advise the sender by reply e-mail and delete the message. Nothing in this message should be interpreted as a digital or electronic signature that can be used to authenticate a contract or other legal document. Thank you very much.

Packing



CONFIDENTIAL

This message contains information that may be confidential and privileged. Unless you are the addressee (or authorized to receive messages for the addressee), you can not use, copy or disclose to any third party or any information contained in the message. If you have received the message in error, please advise the sender by reply e-mail and delete the message. Nothing in this message should be interpreted as a digital or electronic signature that can be used to authenticate a contract or other legal document. Thank you very much.