

The Statement of ANT interface

Date: 2022-07-28

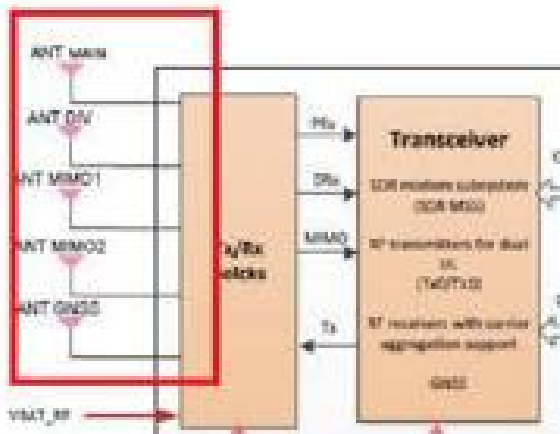
We

Company Name: SIMCom Wireless Solutions Limited

Address: 8F, Building 3, No.289 LinHong Road, Changning District,

Shanghai P.R.China 200335

Declare that:



ANT LIST: ANT MAIN,ANT DIV,ANT MIMO1 ANT MIMO2,ANT GNSS

In this SIM7912A FCC certification, the three antenna ports of ANT MIMO1, MIMO2, and ANT GNSS are not used. These three antenna ports are reserved for subsequent 5G. In this certification, these three ports are only antenna ports, and there is no actual antenna. So in this certification, ANT MIMO1, MIMO2 and ANT GNSS did not play any role.

Yongshengli

SIMCom Wireless Solutions Limited

Yongsheng Li