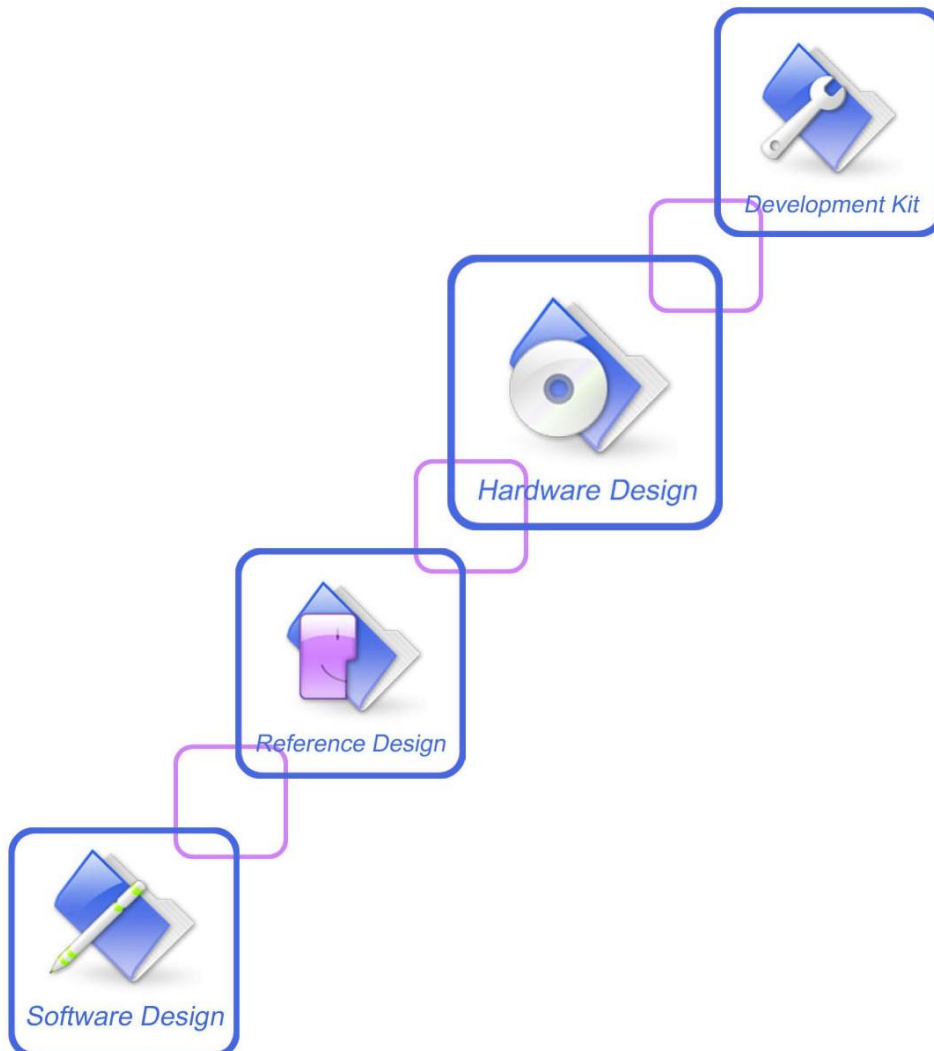




## A7608SA-H\_User Manual\_V1.00



<b>Document Title</b>	A7608SA-H_User Manual
<b>Version</b>	1.00
<b>Date</b>	2022-08-26
<b>Status</b>	Released
<b>Document Control ID</b>	A7608SA-H_User Manual_V1.00

### **RF Exposure Statement:**

For the product, under normal use condition is at least 20cm away from the body of the user, the user must keep at least 20cm distance to the product.

Note that the module was assessed for use with cables of less than 3m length and not for use in automotive environments. For RF Exposure, the module was assessed for use at more than 20 cm from the body. When installing this module permanently into a host product to create a new Radio Equipment Directive device; the manufacturer responsible for the final product must assess if the combination of this module and the host equipment complies with the essential requirements of the RE Directive 2014/53/EU.”

SIMCom offers this information as a service to its customers to support the application and engineering efforts that use the products designed by SIMCom. The information provided is based on the requirements specifically from the customers. SIMCom has not undertaken any independent search for additional relevant information, including any information that may be in the customer’s possession. Furthermore, the system validation of the product designed by SIMCom within a larger electronic system remains the responsibility of the customer or the customer’s system integrator. All specifications supplied herein are subject to change without notice.

This device complies with part 15 of the FCC Rules. Operation is subject to the following two conditions:

- (1) This device may not cause harmful interference, and
- (2) this device must accept any interference received, including interference that may cause undesired operation.

Changes or modifications not expressly approved by the party responsible for compliance could void the user's authority to operate the equipment.

NOTE: This equipment has been tested and found to comply with the limits for a Class B digital device, pursuant to Part 15 of the FCC Rules. These limits are designed to provide reasonable protection against harmful interference in a residential installation.

This equipment generates, uses and can radiate radio frequency energy and, if not installed and used in accordance with the instructions, may cause harmful interference to radio communications. However, there is no guarantee that interference will not occur in a particular installation. If this equipment does cause harmful interference to radio or television reception, which can be determined by turning the equipment off and on, the user is

encouraged to try to correct the interference by one or more of the following measures:

- Reorient or relocate the receiving antenna.
- Increase the separation between the equipment and receiver.
- Connect the equipment into an outlet on a circuit different from that to which the receiver is connected.
- Consult the dealer or an experienced radio/TV technician for help.

Exposure to Radio Frequency Radiation. This equipment must be installed and operated in accordance with provided instructions, and the antenna(s) used for this transmitter must be installed to provide a separation distance of at least 20 cm from all persons and must not be collocated or operating in conjunction with any other antenna or transmitter. End-users and installers must be provided with antenna installation instructions and transmitter operating conditions for satisfying RF exposure compliance.

This Modular Approval is limited to OEM installation for mobile and fixed applications only. The antenna installation and operating configurations of this Modular, including any applicable source-based time averaging duty factor, antenna gain and cable loss must satisfy MPE categorical Exclusion Requirements of 2.1091.

if the host is marketed so that end users do not have straight forward commonly used methods for access to remove the module so that the FCC ID of the module is visible; then an additional permanent label referring to the enclosed module: Contains Transmitter Module FCC ID: 2AJYU-8BAE006 or Contains FCC ID: 2AJYU-8BAE006 must be used.

## Copyright

This document contains the proprietary technical information which is the property of SIMCom Limited, copying of this document, giving it to others, the using or communication of the contents thereof are forbidden without the official authority by SIMCom. Offenders are liable to the payment of the damages. All rights are reserved in the event of grant of a patent or the registration of a utility model or design. All specifications supplied herein are subject to change without notice  
*Copyright © SIMCom Wireless Solutions Co., Ltd. 2017*

# Contents

<b>Contents.....</b>	<b>5</b>
<b>Table Index.....</b>	<b>7</b>
<b>Figure Index.....</b>	<b>9</b>
<b>Revision History.....</b>	<b>10</b>
<b>1 Introduction.....</b>	<b>11</b>
1.1 Product Outline.....	11
1.2 Hardware Interface Overview.....	11
1.3 Hardware Block Diagram.....	13
1.4 Functional Overview.....	14
<b>2 Package Information.....</b>	<b>16</b>
2.1 Pin Assignment Overview.....	16
2.2 Pin Description.....	18
2.3 Mechanical Information.....	22
2.4 Footprint Recommendation.....	23
<b>3 Interface Application.....</b>	<b>24</b>
3.1 Power Supply.....	24
3.1.1 Power Supply Design Guide.....	25
3.1.2 Recommended Power Supply Circuit.....	26
3.1.3 Voltage Monitor.....	26
3.2 Power on/Power off/Reset Function.....	27
3.2.1 Power on.....	27
3.2.2 Power off.....	28
3.2.3 Reset Function.....	29
3.3 UART Interface.....	30
3.3.1 UART Design Guide.....	30
3.3.2 RI and DTR Behavior.....	31
3.4 USB Interface.....	32
3.5 USIM Interface.....	33
3.5.1 USIM Application Guide.....	33
3.6 PCM Interface.....	36
3.6.1 PCM timing.....	36
3.6.2 PCM Application Guide.....	38
3.7 SD Interface.....	38
3.8 I2C Interface.....	39
3.9 SDIO Interface.....	40
3.10 SPI Interface.....	40
3.11 Network status.....	40
3.12 Flight Mode Control.....	41
3.13 Other interface.....	42
3.13.1 Sink Current Source.....	42

3.13.2 ADC.....	43
3.13.3 LDO.....	43
<b>4 RF Specifications.....</b>	<b>44</b>
4.1 UMTS/LTE RF Specifications.....	44
4.2 UMTS/LTE Antenna Design Guide.....	46
4.3 GNSS.....	47
4.3.1 GNSS Technical specification.....	47
4.3.2 GNSS Application Guide.....	48
<b>5 Electrical Specifications.....</b>	<b>50</b>
5.1 Absolute maximum ratings.....	50
5.2 Operating conditions.....	50
5.3 Operating Mode.....	51
5.3.1 Operating Mode Definition.....	51
5.3.2 Sleep mode.....	52
5.3.3 Minimum functionality mode and Flight mode.....	52
5.4 Current Consumption.....	53
5.5 ESD Notes.....	53
<b>6 SMT Production Guide.....</b>	<b>55</b>
6.1 Top and Bottom View of A7608SA-H.....	55
6.2 Label Information.....	56
6.3 Typical SMT Reflow Profile.....	56
6.4 Moisture Sensitivity Level (MSL).....	57
6.5 Stencil Foil Design Recommendation.....	58
<b>7 Packaging.....</b>	<b>59</b>
<b>Appendix.....</b>	<b>61</b>
A. Reference Design.....	61
B. Coding Schemes and Maximum Net Data Rates over Air Interface.....	62
C. Related Documents.....	65
D. Terms and Abbreviations.....	67
E. Safety Caution.....	69

## Table Index

Table 1: A7608SA-H frequency bands.....	11
Table 2: General features.....	14
Table 3: Pin definition.....	17
Table 4: IO parameters definition.....	18
Table 5: Pin description.....	18
Table 6: VBAT pins electronic characteristic.....	24
Table 7: Recommended Zener diode list.....	25
Table 8: Power on timing and electronic characteristic.....	28
Table 9: Power off timing and electronic characteristic.....	29
Table 10: RESET pin electronic characteristic.....	30
Table 11: USIM electronic characteristic in 1.8V mode (USIM_VDD=1.8V).....	33
Table 12: USIM electronic characteristic 3.0V mode (USIM_VDD=2.95V).....	33
Table 13: Amphenol USIM socket pin description.....	35
Table 14: PCM format.....	36
Table 15: PCM timing parameters.....	37
Table 16: MMC/SD electronic characteristic (SD_DATA0-SD_DATA3, SD_CLK and SD_CMD) *.....	38
Table 17: NETLIGHT pin status.....	41
Table 18: FLIGHTMODE pin status.....	41
Table 19: Sink current electronic characteristic.....	42
Table 20: ADC1 and ADC2 electronic characteristics.....	43
Table 21: Electronic characteristic.....	43
Table 22: Conducted transmission power.....	43
Table 23: Operating frequencies.....	44
Table 24: E-UTRA operating bands.....	44
Table 25: Conducted receive sensitivity.....	44
Table 26: Reference sensitivity (QPSK).....	44
Table 27: Trace loss.....	46
Table 28: Recommended TVS.....	47
Table 29: Absolute maximum ratings.....	50
Table 30: Recommended operating ratings.....	50
Table 31: 1.8V Digital I/O characteristics*.....	50
Table 32: Operating temperature.....	51
Table 33: Operating mode Definition.....	51
Table 34: Current consumption on VBATPins (VBAT=3.8V).....	53
Table 35: The ESD performance measurement table (Temperature: 25°C, Humidity: 45%).....	53
Table 36: The description of label information.....	56
Table 37: Moisture Sensitivity Level and Floor Life.....	57
Table 38: Tray size.....	60
Table 39: Small Carton size.....	60
Table 40: Big Carton size.....	60
Table 41: Coding Schemes and Maximum Net Data Rates over Air Interface.....	62
Table 42: Related Documents.....	65
Table 43: Terms and Abbreviations.....	67

Table 44: Safety Caution..... 69

## Figure Index

Figure 1: A7608SA-H block diagram.....	13
Figure 2: Pin assignment overview.....	16
Figure 3: Dimensions (Unit: mm).....	22
Figure 4: Footprint recommendation (Unit: mm).....	23
Figure 5: VBAT voltage drop during burst emission (GSM/GPRS).....	24
Figure 6: Power supply application circuit.....	25
Figure 7: Linear regulator reference circuit.....	26
Figure 8: Switching mode power supply reference circuit.....	26
Figure 9: Reference power on/off circuit.....	27
Figure 10: Power on timing sequence.....	27
Figure 11: Power off timing sequence.....	29
Figure 12: Reference reset circuit.....	29
Figure 13: UART full modem.....	30
Figure 14: UART null modem.....	30
Figure 15: Reference circuit of level shift.....	31
Figure 16: RI behaviour (SMS and URC report) .....	31
Figure 17: RI behaviour (voice call) .....	32
Figure 18: USB reference circuit.....	32
Figure 19: USIM interface reference circuit.....	34
Figure 20: Amphenol SIM card socket.....	35
Figure 21: PCM_SYNC timing.....	36
Figure 22: EXT codec to module timing.....	36
Figure 23: Module to EXT codec timing.....	37
Figure 24: Audio codec reference circuit.....	38
Figure 25: SD reference circuit.....	39
Figure 26: I2C reference circuit.....	40
Figure 27: NETLIGHT reference circuit.....	40
Figure 28: Flight mode switch reference circuit.....	41
Figure 29: ISINK reference circuit.....	42
Figure 30: Antenna matching circuit (MAIN_ANT).....	46
Figure 31: Antenna matching circuit (AUX_ANT).....	47
Figure 32: Active antenna circuit.....	48
Figure 33: Passive antenna circuit (Default).....	49
Figure 34: Top and bottom view of A7608SA-H.....	55
Figure 35: Label information.....	56
Figure 36: The ramp-soak-spike reflow profile of A7608SA-H.....	57
Figure 37: packaging diagram.....	59
Figure 38: Tray drawing.....	59
Figure 39: Small carton drawing.....	60
Figure 40: Big carton drawing.....	60
Figure 41: Reference design.....	62



## Revision History

Data	Version	Description of change	Author
2020-08-26	1.00	Original	Ma Honggang Tianbao Yi

# 1 Introduction

This document describes the electronic specifications, RF specifications, interfaces, mechanical characteristics and testing results of the SIMCom A7608SA-H module. With the help of this document and other software application notes/user guides, users can understand and use module to design and develop applications quickly.

## 1.1 Product Outline

Aimed at the Europe market, the A7608SA-H module support GSM, WCDMA and LTE. Users can choose the module according to the wireless network configuration. The supported radio frequency bands are described in the following table.

**Table 1: A7608SA-H frequency bands**

Standard	Frequency	A7608SA-H
WCDMA	BAND2	
	BAND5	
LTE-FDD	LTE-FDD B2	
	LTE-FDD B4	
	LTE-FDD B5	
	LTE-TDD B41	
	LTE-FDD B66	
Category		CAT4
GNSS		
GSM	PCS1900	
	GSM850	

With a small physical dimension of 30\*30\*2.9 mm and with the functions integrated, the A7608SA-H module can meet almost any space requirement in users' applications, such as smart phone, PDA, industrial handheld, machine-to-machine and vehicle application, etc.

## 1.2 Hardware Interface Overview

The interfaces are described in detail in the next chapters include:

- **Power Supply**
- **USB Interface**
- **UART Interface**
- **MMC/SD Interface**

- **SDIO Interface**
- **USIM Interface**
- **GPIO**
- **ADC**
- **LDO Power Output**
- **Current Sink Source**
- **PCM Interface**
- **SPI Interface**
- **I2C Interface**

### 1.3 Hardware Block Diagram

The block diagram of the A7608SA-H module is shown in the figure below.

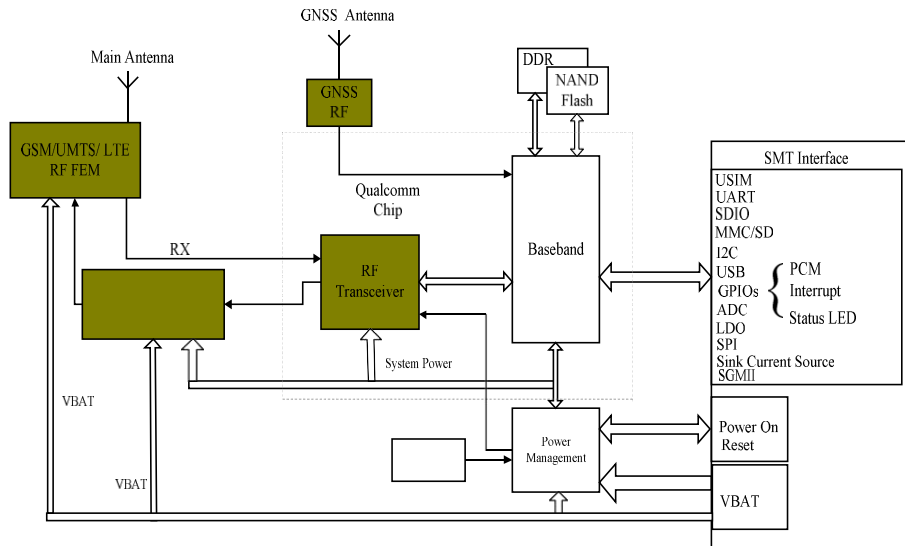


Figure 1: A7608SA-H block diagram

## 1.4 Functional Overview

**Table 2: General features**

Feature	Implementation
Power supply	Single supply voltage 3.4~4.2V
Power saving	Current in sleep mode : <5mA
Radio frequency bands	Please refer to the table 1
Transmitting power	UMTS power class: --WCDMA :3 (0.25W) LTE power class: 3 (0.25W)
Data Transmission Throughput	UMTS R99 speed: 384 kbps DL/UL HSPA+: 5.76 Mbps(UL), 42 Mbps(DL) HSDPA/HSUPA: 2.2 Mbps(UL), 2.8 Mbps(DL) LTE CAT 1: 10 Mbps(DL) LTE CAT 1: 5 Mbps(DL)
Antenna	UMTS/LTE main antenna. UMTS/LTE auxiliary antenna GNSS antenna
GNSS	GNSS engine (GPS, GLONASS) Protocol: NMEA
SMS	MT, MO, CB, Text and PDU mode SMS storage: USIM card or ME(default) Transmission of SMS alternatively over CS or PS.
USIM interface	Support identity card: 1.8V/ 3V
USIM application toolkit	Support SAT class 3, GSM 11.14 Release 98 Support USAT
Phonebook management	Support phonebook types: DC,MC,RC,SM,ME,FD,ON,LD,EN
Audio feature	Support PCM interface Only support PCM master mode and short frame sync, 16-bit linear data formats
UART interface	A full modem serial port by default Baud rate: 300bps to 4Mbps(default:115200bps) Autobauding baud rate: 9600,19200,38400,57600,115200bps Can be used as the AT commands or data stream channel Support RTS/CTS hardware handshake Multiplex ability according to GSM 07.10 Multiplexer Protocol
MMC/SD	Support MMC and SD cards with 2.95 V on SD port
SDIO	Support SDIO with 1.8 V only on SDIO port
USB	USB 2.0 high speed interface

Firmware upgrade	Firmware upgrade over USB interface
Physical characteristics	Size:30*30*2.9m Weight:5.7 g
Temperature range	Normal operation temperature: -30°C to +80°C Extended operation temperature: -40°C to +85°C* Storage temperature -45°C to +90°C

***\*Note: Module is able to make and receive voice calls, data calls, SMS and make GPRS /EGPRS/UMTS/HSPA+/LTE traffic in -40°C ~ +85°C. The performance will be reduced slightly from the 3GPP specifications if the temperature is outside the normal operating temperature range and still within the extreme operating temperature range.***

## 2 Package Information

### 2.1 Pin Assignment Overview

All functions of the A7608SA-H will be provided through 87 pads that will be connected to the customers' platform. The following Figure is a high-level view of the pin assignment of the A7608SA-H.

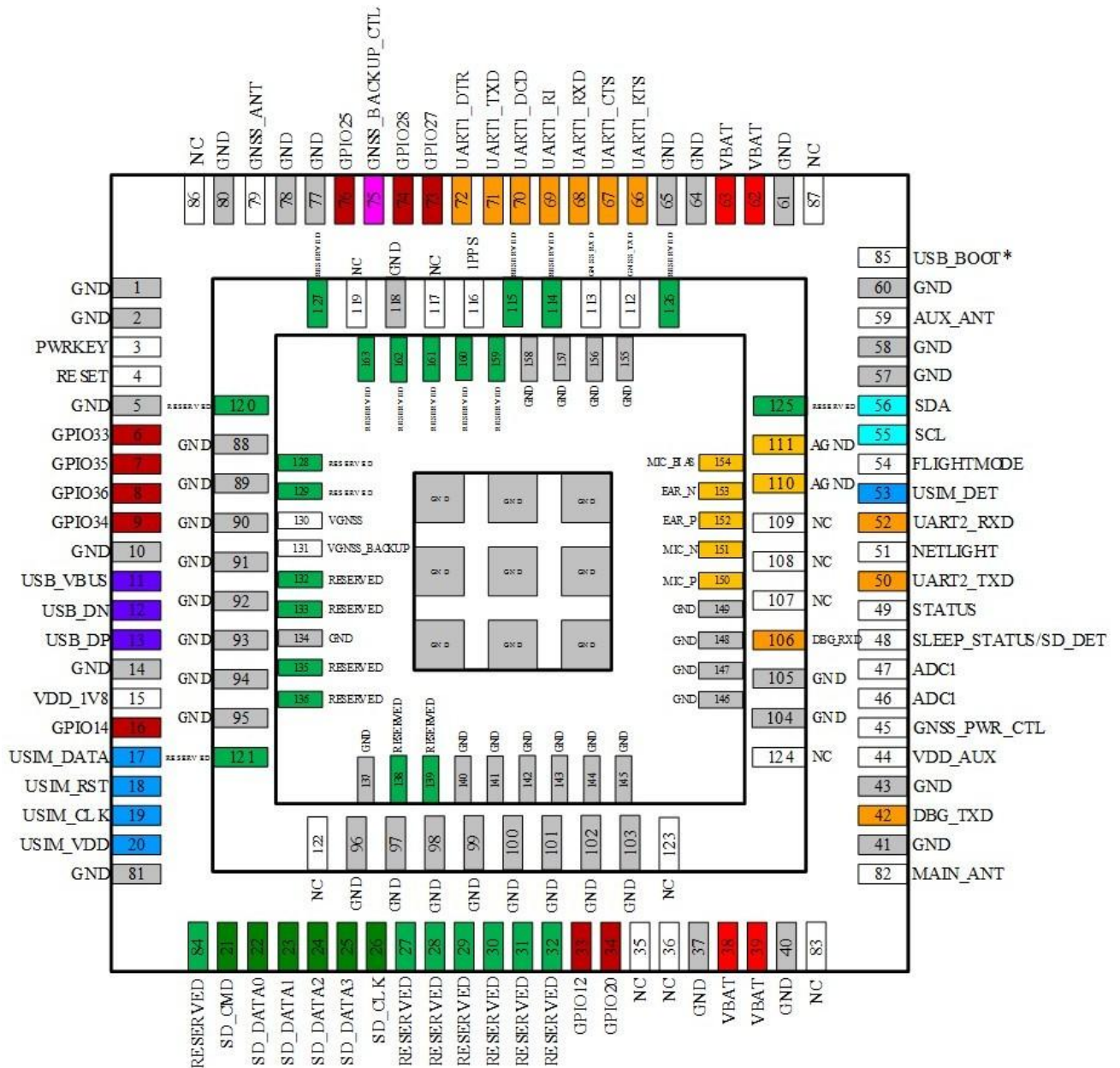


Figure 2: Pin assignment overview

**Table 3: Pin definition**

Pin No.	Pin name	Pin No.	Pin name
1	GND	2	GND
3	PWRKEY	4	RESET
5	GND	6	SPI_CLK
7	SPI_MISO	8	SPI_MOSI
9	SPI_CS	10	GND
11	USB_VBUS	12	USB_DN
13	USB_DP	14	GND
15	VDD_1V8	16	USB_ID
17	USIM_DATA	18	USIM_RST
19	USIM_CLK	20	USIM_VDD
21	SD_CMD	22	SD_DATA0
23	SD_DATA1	24	SD_DATA2
25	SD_DATA3	26	SD_CLK
27	SDIO_DATA1	28	SDIO_DATA2
29	SDIO_CMD	30	SDIO_DATA0
31	SDIO_DATA3	32	SDIO_CLK
33	GPIO3	34	GPIO6
35	HSIC_STROBE	36	HSIC_DATA
37	GND	38	VBAT
39	VBAT	40	GND
41	GND	42	NC (RESERVED)
43	GND	44	VDD_EXT
45	ISINK	46	ADC2
47	ADC1	48	SD_DET
49	STATUS	50	GPIO43*
51	NETLIGHT	52	GPIO41
53	USIM_DET	54	FLIGHTMODE
55	SCL	56	SDA
57	GND	58	GND
59	AUX_ANT	60	GND
61	GND	62	VBAT
63	VBAT	64	GND
65	GND	66	RTS
67	CTS	68	RXD



69	RI	70	DCD
71	TXD	72	DTR
73	PCM_OUT	74	PCM_IN
75	PCM_SYNC	76	PCM_CLK
77	GND	78	GND
79	GNSS_ANT	80	GND
81	GND	82	MAIN_ANT
83	COEX1*	84	COEX2
85	BOOT_CFG0*	86	COEX3*
87	GPIO77		

**NOTE:** Before the normal power up, **GPIO43** , **COEX1**, **COEX3** and **BOOT\_CFG0** cannot be pulled up.

## 2.2 Pin Description

**Table 4: IO parameters definition**

Pin type	Description
PI	Power input
PO	Power output
AI	Analog input
AIO	Analog input/output
I/O	Bidirectional input /output
DI	Digital input
DO	Digital output
DOH	Digital output with high level
DOL	Digital output with low level
PU	Pull up
PD	Pull down

**Table 5: Pin description**

Pin name	Pin No.	Default status	Description	Comment
<b>Power supply</b>				
VBAT	38,39,62,63	PI	Power supply, voltage range: 3.4~4.2V.	
VDD_EXT	44	PO	LDO power output for other external circuits with Max 150mA current output. Its output voltage is 0V by default. (The voltage can be configured to 2.8V by AT	If unused, keep it open.

			command ) .	
VDD_1V8	15	PO	1.8V SMPS output with Max 50mA current output for external circuit, such as level shift circuit.	If unused, keep it open.
GND	1,2,5,10,14,37,40,41,43,57,58,60,61,64,65,77,78,80,81		Ground	
<b>System Control</b>				
PWRKEY	3	DI,PU	System power on/off control input, active low.	The high voltage is 0.8V;
RESET	4	DI, PU	System reset control input, active low.	RESET has been pulled up to 1.8V via 40Kohm resistor internally.
<b>SD interface</b>				
SD_CMD	21	DO	SDIO command	If unused, keep them open.
SD_DATA0	22	I/O	SDIO data	
SD_DATA1	23	I/O		
SD_DATA2	24	I/O		
SD_DATA3	25	I/O		
SD_CLK	26	DO	SDIO clock	
<b>USIM interface</b>				
USIM_DATA	17	I/O,PU	USIM Card data I/O, which has been pulled up via a 100KR resistor to USIM_VDD internally. Do not pull it up or down externally.	All lines of USIM interface should be protected against ESD.
USIM_RST	18	DO	USIM Reset	
USIM_CLK	19	DO	USIM clock	
USIM_VDD	20	PO	Power output for USIM card, its output Voltage depends on USIM card type automatically. Its output current is up to 50mA.	
<b>SPI interface</b>				
SPI_CLK	6	DO	SPI clock output	Only support SPI master mode. If unused, please keep them open.
SPI_MISO	7	DI	SPI master in/slave out data	
SPI_MOSI	8	DO	SPI master out/slave in data	

SPI_CS	9	DO	SPI chip-select output	
<b>USB</b>				
USB_VBUS	11	DI,PD	Valid USB detection input with 3.0~5.25V detection voltage	
USB_DN	12	I/O	Negative line of the differential, bi-directional USB signal.	
USB_DP	13	I/O	Positive line of the differential, bi-directional USB signal.	
USB_ID	16	DI	High-speed USB ID input	Keep it open.
<b>UART interface</b>				
RTS	66	DOH	Request to send	If unused, keep them open.
CTS	67	DI,PU	Clear to Send	
RXD	68	DI,PU	Receive Data	
RI	69	DOH	Ring Indicator	
DCD	70	DOH	Carrier detects	
TXD	71	DOH	Transmit Data	
DTR	72	DI,PU	DTE get ready	
<b>I2C interface</b>				
SCL	55	DO	I2C clock output	If unused, keep open, or else pull them up via 4.7KΩ resistors to 1.8V.
SDA	56	I/O	I2C data input/output	
<b>SDIO interface</b>				
SDIO_DATA1	27	I/O	SDIO data1	For WLAN solution
SDIO_DATA2	28	I/O	SDIO data2	
SDIO_CMD	29	DO	SDIO command	
SDIO_DATA0	30	I/O	SDIO data0	
SDIO_DATA3	31	I/O	SDIO data3	
SDIO_CLK	32	DO	SDIO clock	
<b>HSIC interface</b>				
HSIC_STROBE	35	DO	HSIC strobe wakeup	Reserved
HSIC_DATA	36	I/O	HSIC data	
<b>PCM interface</b>				
PCM_OUT	73	DO	PCM data output.	If unused, please keep them open.
PCM_IN	74	DI	PCM data input.	
PCM_SYNC	75	DO	PCM data frame sync signal.	
PCM_CLK	76	DO	PCM data bit clock.	
<b>GPIO</b>				
NETLIGHT	51	DO	LED control output as network status indication.	If unused, keep them open. <b>DO NOT PULL UP GPIO43 DURING</b>
FLIGHTMODE	54	DI,PU	Flight Mode control input. High level(or open): Normal	

			Mode Low level: Flight Mode	<b><i>NORMAL POWER UP!</i></b>
STATUS	49	DO	Operating status output. High level: Power on and firmware ready Low level: Power off	
GPIO41	52	IO	GPIO	
GPIO43	50	IO	GPIO	
GPIO3	33	IO	GPIO	
GPIO6	34	IO	GPIO	
SD_DET	48	IO	Default: GPIO Optional: SD card detecting input. H: SD card is removed L: SD card is inserted	
USIM_DET	53	IO	Default: GPIO Optional: USIM card detecting input. H: USIM is removed L: USIM is inserted	
GPIO77	87	IO	GPIO	
<b>RF interface</b>				
MAIN_ANT	82	AIO	MAIN antenna soldering pad	
GNSS_ANT	79	AI	GNSS antenna soldering pad	
AUX_ANT	59	AI	Auxiliary antenna soldering pad	
<b>Other interface</b>				
ISINK	45	PI	Ground-referenced current sink.	
ADC1	47	AI	Analog-digital converter input 1	If unused, please keep them open.
ADC2	46	AI	Analog-digital converter input 2	
COEX1	83	I/O	RF synchronizing between Wi-Fi and LTE.	
COEX2	84	I/O		
COEX3	86	I/O		
BOOT_CFG0	85	DI,PD	Boot configuration input. Module will be forced into USB download mode by connect 85 pin to VDD_1V8 during power up.	Do place 2 test points for debug. <b><i>DO NOT PULL UP BOOT_CFG0 DURING NORMAL POWER UP!</i></b>
NC	42		No connection.	Keep it open

## 2.3 Mechanical Information

The following figure shows the package outline drawing of A7608SA-H.

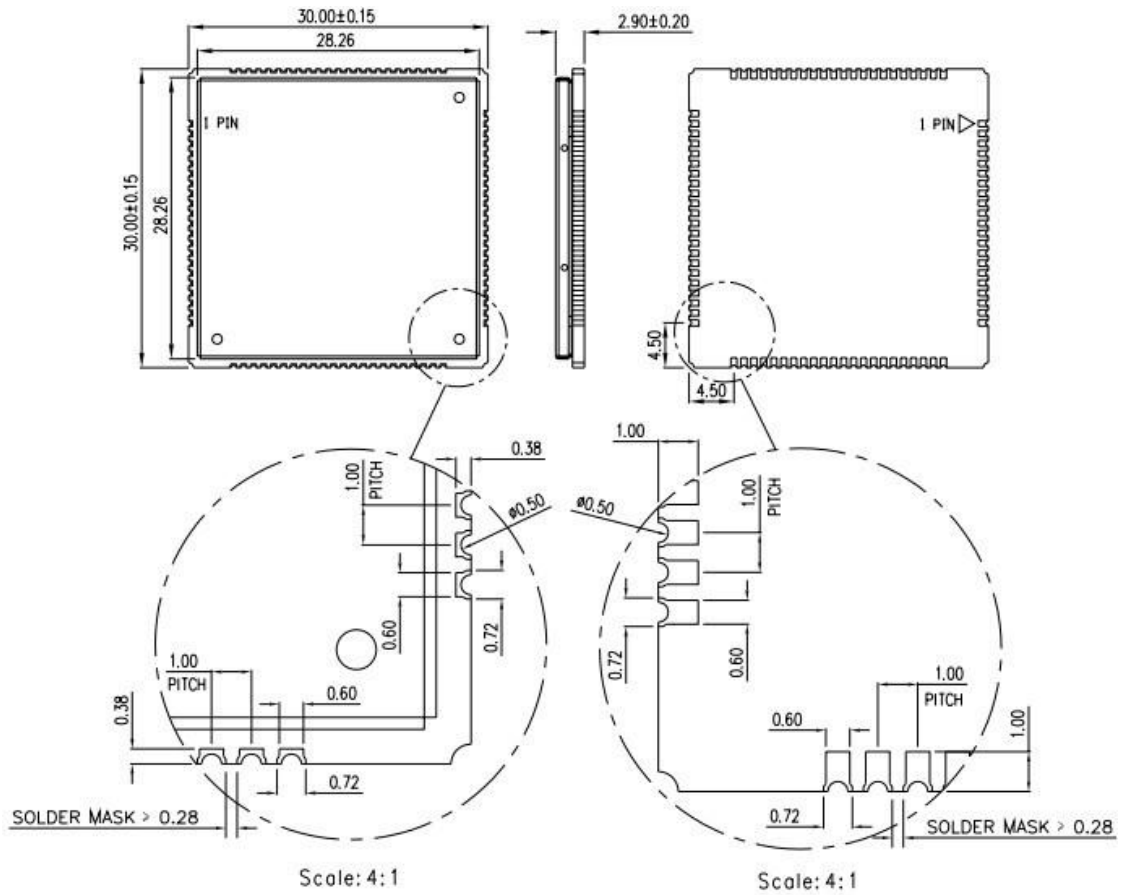


Figure 3: Dimensions (Unit: mm)

## 2.4 Footprint Recommendation

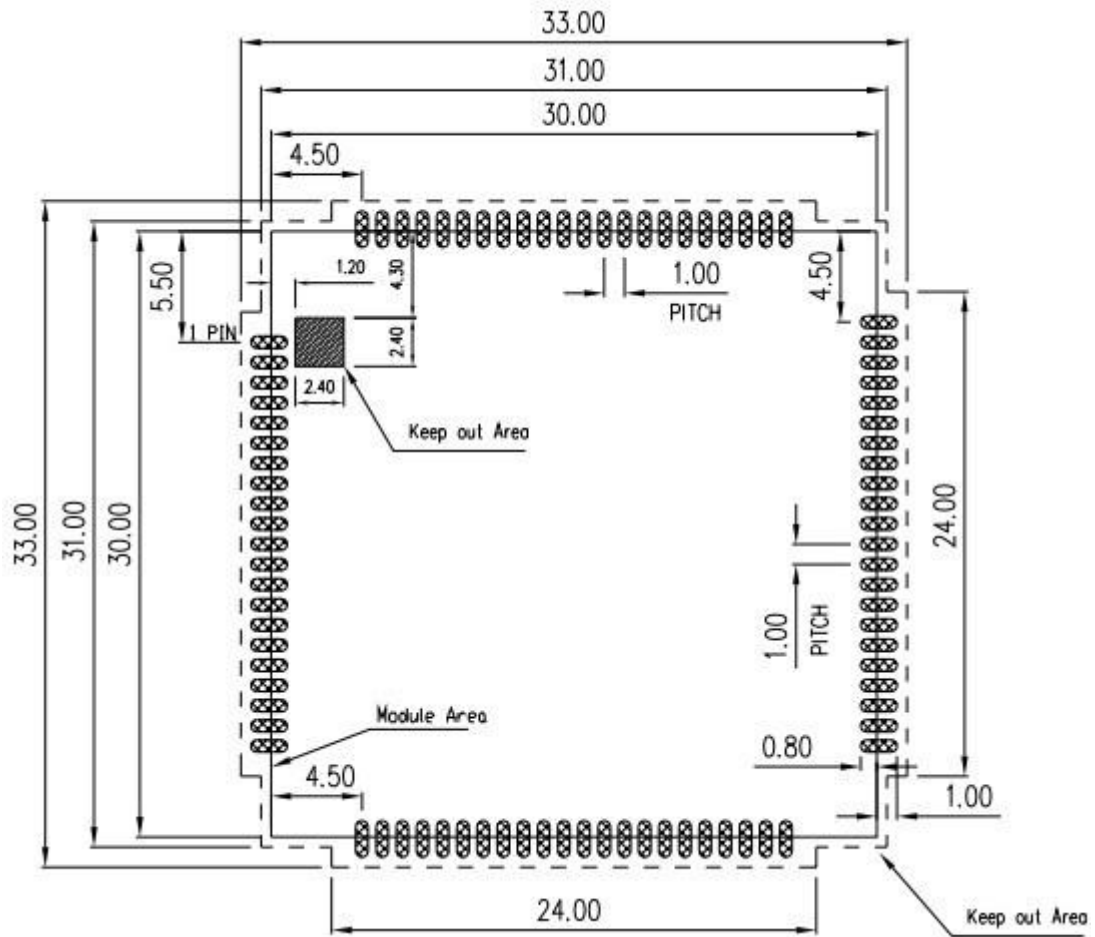


Figure 4: Footprint recommendation (Unit: mm)

### 3 Interface Application

#### 3.1 Power Supply

The power supply pins of A7608SA-H include 4 pins (pin 62&63, pin 38&39) named VBAT. The 4 VBAT pads supply the power to RF and baseband circuits directly. On VBAT pads, the ripple current up to 2A typically, due to GSM/GPRS emission burst (every 4.615ms), may cause voltage drop. So the power supply for these pads must be able to provide sufficient current up to more than 2A in order to avoid the voltage drop is more than 300mV.

The following figure shows the VBAT voltage ripple wave at the maximum power transmit phase.

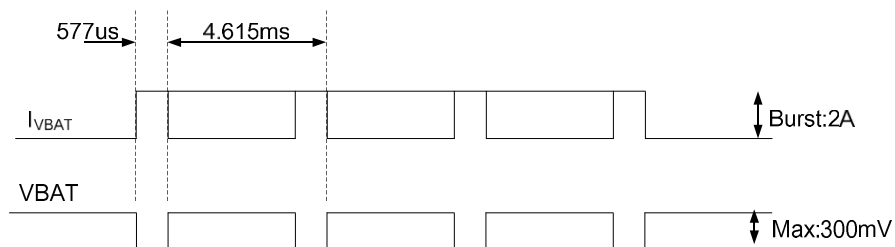


Figure 5: VBAT voltage drop during burst emission (GSM/GPRS)

*Note: The test condition: The voltage of power supply for VBAT is 3.8V, Cd=100 μF tantalum capacitor (ESR=0.7Ω) and Cf=100nF (Please refer to Figure 6—Application circuit).*

Table 6: VBAT pins electronic characteristic

Symbol	Description	Min.	Typ.	Max.	Unit
VBAT	Module power voltage	3.4	3.8	4.2	V
I <sub>VBAT(peak)</sub>	Module power peak current in normal mode.	-	2	-	A
I <sub>VBAT(average)</sub>	Module power average current in normal mode	Please refer to the table 34			
I <sub>VBAT(sleep)</sub>	Power supply current in sleep mode				
I <sub>VBAT(power-off)</sub>	Module power current in power off mode.	-	-	20	uA

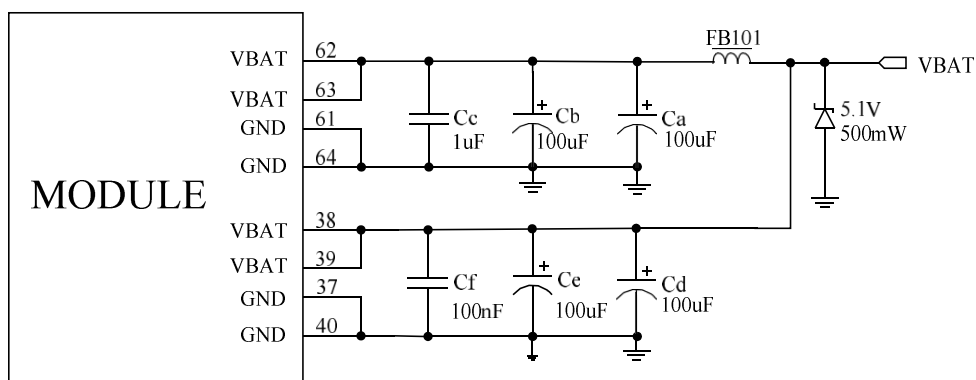
### 3.1.1 Power Supply Design Guide

Make sure that the voltage on the VBAT pins will never drop below 3.4V, even during a transmit burst, when current consumption may rise up to 2A. If the voltage drops below 3.4V, the RF performance may be affected.

**Note: If the power supply for VBAT pins can support up to 2A, using a total of more than 300uF capacitors is recommended, or else users must using a total of 1000uF capacitors typically, in order to avoid the voltage drop is more than 300mV.**

Some multi-layer ceramic chip (MLCC) capacitors (0.1/1uF) with low ESR in high frequency band can be used for EMC.

These capacitors should be put as close as possible to VBAT pads. Also, users should keep VBAT trace on circuit board wider than 2 mm to minimize PCB trace impedance. The following figure shows the recommended circuit.



**Figure 6: Power supply application circuit**

In addition, in order to guard for over voltage protection, it is suggested to use a zener diode with 5.1V reverse zener voltage and more than 500mW power dissipation.

**Table 7: Recommended Zener diode list**

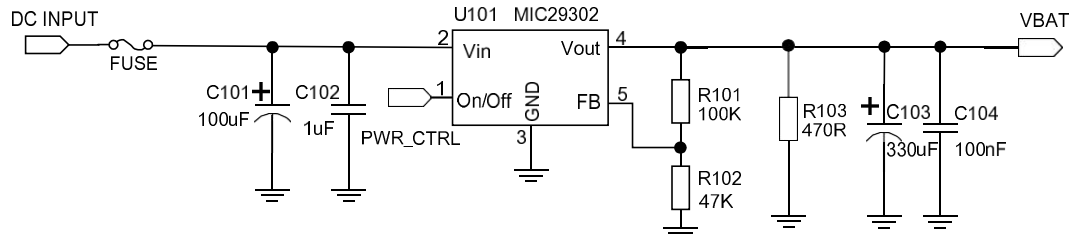
No.	Manufacturer	Part Number	Power dissipation	Package
1	On semi	MMSZ5231BT1G	500mW	SOD123
2	Prisemi	PZ3D4V2H	500mW	SOD323
3	Vishay	MMSZ4689-V	500mW	SOD123
4	Crownpo	CDZ55C5V1SM	500mW	0805



### 3.1.2 Recommended Power Supply Circuit

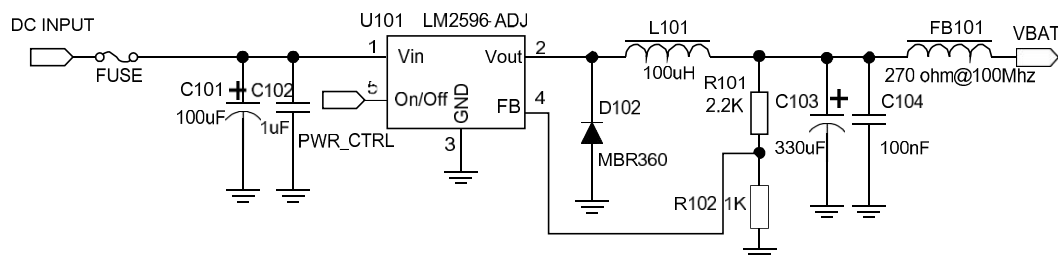
It is recommended that a switching mode power supply or a linear regulator power supply is used. It is important to make sure that all the components used in the power supply circuit can resist a peak current up to 2A.

The following figure shows the linear regulator reference circuit with 5V input and 3.8V output.



**Figure 7: Linear regulator reference circuit**

If there is a big voltage difference between input and output for VBAT power supply, or the efficiency is extremely important, then a switching mode power supply will be preferable. The following figure shows the switching mode power supply reference circuit.



**Figure 8: Switching mode power supply reference circuit**

**Note: The Switching Mode power supply solution for VBAT must be chosen carefully against Electro Magnetic Interference and ripple current from depraving RF performance.**

### 3.1.3 Voltage Monitor

To monitor the VBAT voltage, the AT command “AT+CBC” can be used.

For monitoring the VBAT voltage outside or within a special range, the AT command “AT+CVALARM” can be used to enable the under-voltage warning function.

If users need to power off A7608SA-H, when the VBAT voltage is out of a range, the AT command “AT+CPMVT” can be used to enable under-voltage power-off function.

**Note: Under-voltage warning function and under-voltage power-off function are disabled by default. For more information about these AT commands, please refer to Document [1].**

### 3.2 Power on/Power off/Reset Function

#### 3.2.1 Power on

A7608SA-H can be powered on by pulling the PWRKEY pin down to ground. The PWRKEY pin has been pulled up with a diode to 1.8V internally, so it does not need to be pulled up externally. It is strongly recommended to put a 100nF capacitor, an ESD protection diode, close to the PWRKEY pin as it would strongly enhance the ESD performance of PWRKEY pin. Please refer to the following figure for the recommended reference circuit.

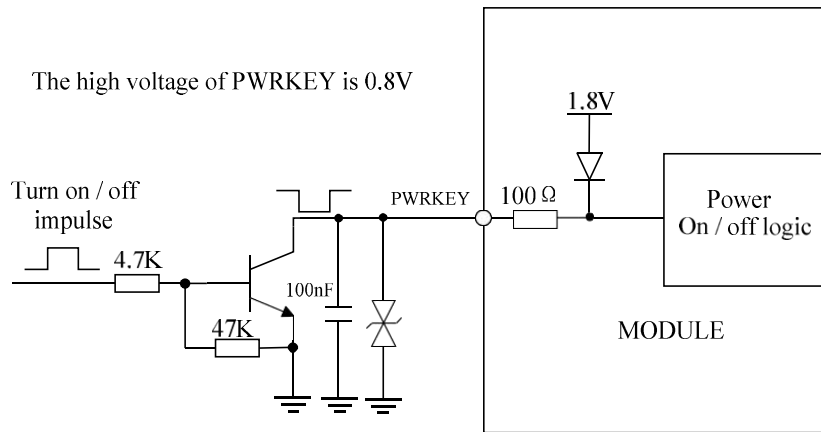


Figure 9: Reference power on/off circuit

**Note:** Module could be automatically power on by connecting PWRKEY pin to ground via 0R resistor directly.

The power-on scenarios are illustrated in the following figure.

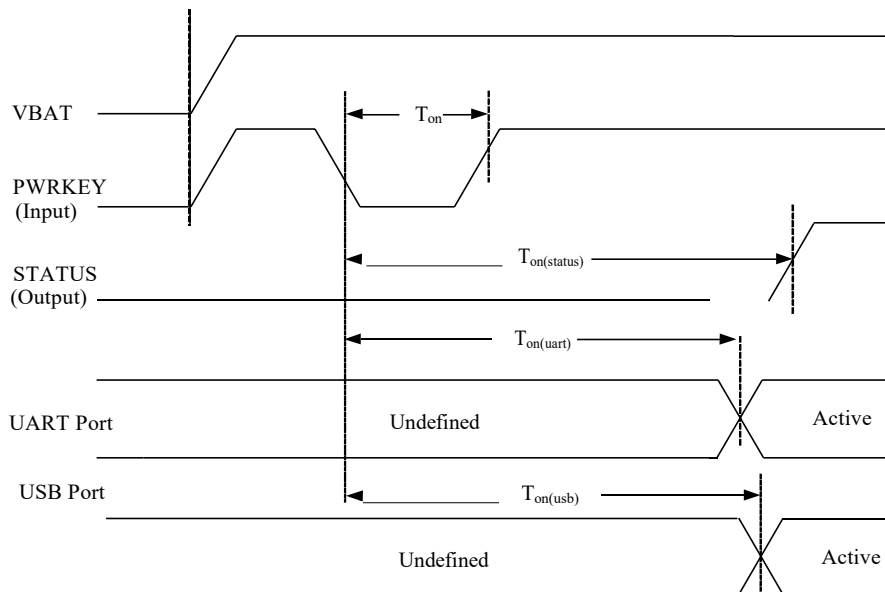


Figure 10: Power on timing sequence

**Table 8: Power on timing and electronic characteristic**

Symbol	Parameter	Min.	Typ.	Max.	Unit
$T_{on}$	The time of active low level impulse of PWRKEY pin to power on module	100	500	-	ms
$T_{on(status)}$	The time from power-on issue to STATUS pin output high level(indicating power up ready )	12	13	-	s
$T_{on(uart)}$	The time from power-on issue to UART port ready	11	12	-	s
$T_{on(usb)}$	The time from power-on issue to USB port ready	11	12	-	s
$V_{IH}$	Input high level voltage on PWRKEY pin	0.6	0.8	1.8	V
$V_{IL}$	Input low level voltage on PWRKEY pin	-0.3	0	0.5	V

### 3.2.2 Power off

The following methods can be used to power off A7608SA-H.

- Method 1: Power off A7608SA-H by pulling the PWRKEY pin down to ground.
- Method 2: Power off A7608SA-H by AT command “AT+CPOF”.
- Method 3: over-voltage or under-voltage automatic power off. The voltage range can be set by AT command “AT+CPMVT”.
- Method 4: over-temperature or under-temperature automatic power off.

**Note:** If the temperature is outside the range of  $-30\sim+80^{\circ}\text{C}$ , some warning will be reported via AT port. If the temperature is outside the range of  $-40\sim+85^{\circ}\text{C}$ , A7608SA-H will be powered off automatically.

**For details about “AT+CPOF” and “AT+CPMVT”, please refer to Document [1].**

These procedures will make modules disconnect from the network and allow the software to enter a safe state, and save data before module be powered off completely.

The power off scenario by pulling down the PWRKEY pin is illustrated in the following figure.

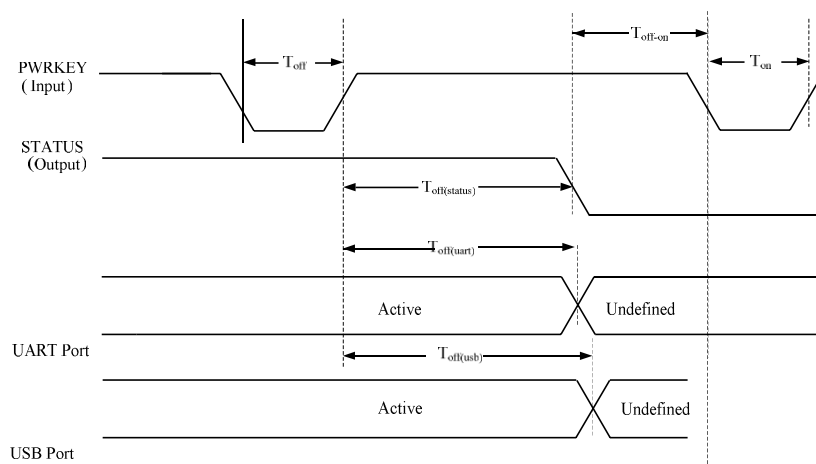


Figure 11: Power off timing sequence

Table 9: Power off timing and electronic characteristic

Symbol	Parameter	Time value			Unit
		Min.	Typ.	Max.	
$T_{off}$	The active low level time pulse on PWRKEY pin to power off module	2.5	--	--	s
$T_{off(status)}$	The time from power-off issue to STATUS pin output low level(indicating power off)*	25	26	-	s
$T_{off(uart)}$	The time from power-off issue to UART port off	14	15	-	s
$T_{off(usb)}$	The time from power-off issue to USB port off	27	28	-	s
$T_{off-on}$	The buffer time from power-off issue to power-on issue	0	-	-	s

*\*Note: The STATUS pin can be used to detect whether module is powered on or not. When module has been powered on and firmware goes ready, STATUS will be high level, or else STATUS will still low level.*

### 3.2.3 Reset Function

A7608SA-H can be reset by pulling the RESET pin down to ground.

*Note: This function is only used as an emergency reset, when AT command “AT+CPOF” and the PWRKEY pin all have lost efficacy.*

The RESET pin has been pulled up with a 40KΩ resistor to 1.8V internally, so it does not need to be pulled up externally. It is strongly recommended to put a 100nF capacitor and an ESD protection diode close to the RESET pin. Please refer to the following figure for the recommended reference circuit.

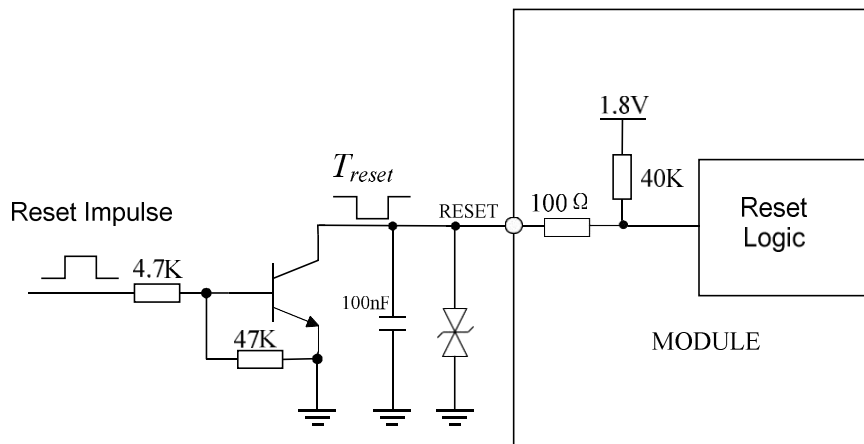


Figure 12: Reference reset circuit

**Table 10: RESET pin electronic characteristic**

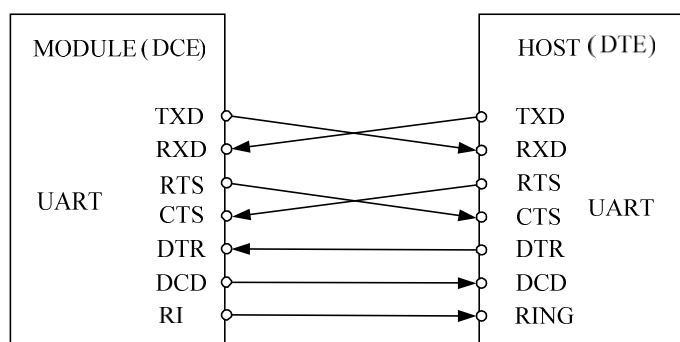
Symbol	Description	Min.	Typ.	Max.	Unit
$T_{reset}$	The active low level time impulse on RESET pin to reset module	50	100	500	ms
$V_{IH}$	Input high level voltage	1.17	1.8	2.1	V
$V_{IL}$	Input low level voltage	-0.3	0	0.8	V

### 3.3 UART Interface

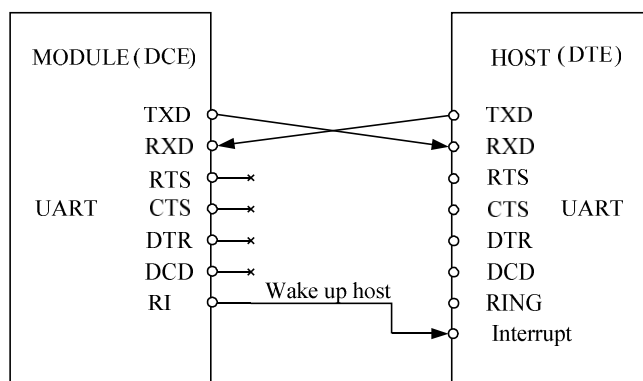
A7608SA-H provides a 7-wire UART (universal asynchronous serial transmission) interface as DCE (Data Communication Equipment). AT commands and data transmission can be performed through UART interface.

#### 3.3.1 UART Design Guide

The following figures show the reference design.



**Figure 13: UART full modem**



**Figure 14: UART null modem**

The A7608SA-H UART is 1.8V voltage interface. If user's UART application circuit is 3.3V voltage interface, the level shifter circuits should be used for voltage matching. The TXB0108RGYR provided by Texas Instruments is recommended. The following figure shows the voltage matching reference design.

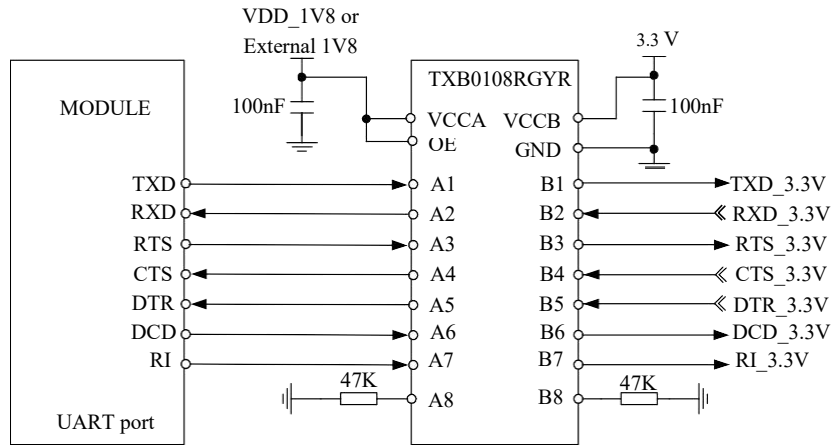


Figure 15: Reference circuit of level shift

To comply with RS-232-C protocol, the RS-232-C level shifter chip should be used to connect A7608SA-H to the RS-232-C interface, for example SP3238ECA, etc.

**Note:** A7608SA-H supports the following baud rates: 300, 600, 1200, 2400, 4800, 9600, 19200, 38400, 57600, 115200, 230400, 460800, 921600, 3200000, 3686400, 4000000bps. The default band rate is 115200bps.

### 3.3.2 RI and DTR Behavior

The RI pin can be used to interrupt output signal to inform the host controller such as application CPU.

Normally RI will keep high level until certain conditions such as receiving SMS, or a URC report coming, and then it will change to low level. It will stay low until the host controller clears the interrupted event with "AT+CRIRS" AT command.

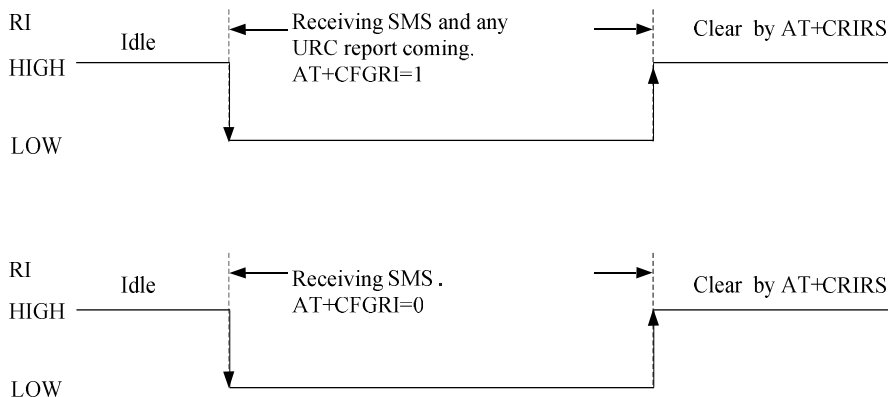


Figure 16: RI behaviour ( SMS and URC report )

Normally RI will be kept at a high level until a voice call, then it will output periodic rectangular wave with 5900ms low level and 100ms high level. It will output this kind of periodic rectangular wave until the call is answered or hung up.

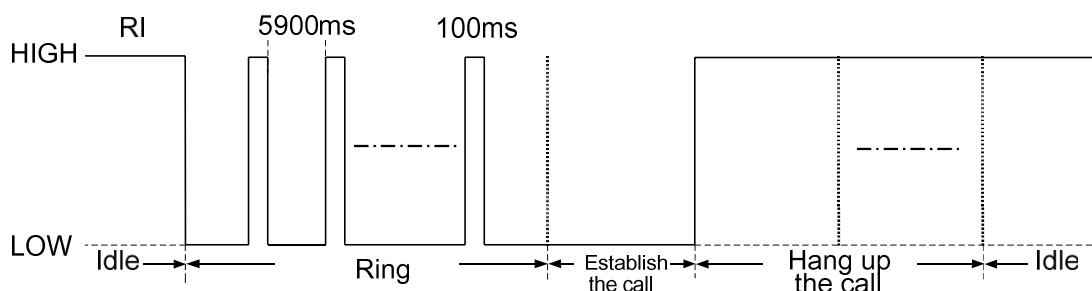


Figure 17: RI behaviour ( voice call )

Note: For more details of AT commands about UART, please refer to document [1] and [22].

DTR pin can be used to wake A7608SA-H from sleep. When A7608SA-H enters sleep mode, pulling down DTR can wake A7608SA-H.

### 3.4 USB Interface

The A7608SA-H contains a USB interface compliant with the USB2.0 specification as a peripheral, but the USB charging function is not supported.

A7608SA-H can be used as a USB device. A7608SA-H supports the USB suspend and resume mechanism which can reduce power consumption. If there is no data transmission on the USB bus, A7608SA-H will enter suspend mode automatically, and will be resumed by some events such as voice call, receiving SMS, etc.

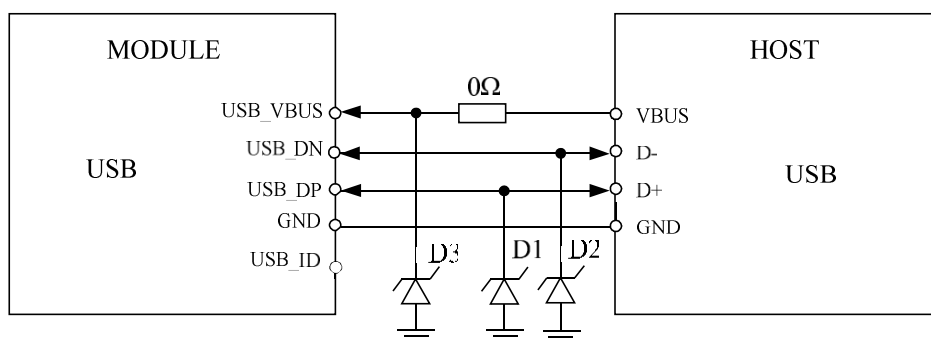


Figure 18: USB reference circuit

Because of the high bit rate on USB bus, more attention should be paid to the influence of the junction capacitance of the ESD component on USB data lines. Typically, the capacitance should be less than 1pF. It is recommended to use an ESD protection component such as ESD9L5.0ST5G provided by On Semiconductor (www.onsemi.com).

D3 is suggested to select the diode with anti-ESD and voltage surge function, or customer could

add a ZENER diode for surge clamping. The recommend diodes please refer to table 7.

*Note : The USB\_DN and USB\_DP nets must be traced by 90Ohm+/-10% differential impedance.*

### 3.5 USIM Interface

A7608SA-H supports both 1.8V and 3.0V USIM Cards.

**Table 11: USIM electronic characteristic in 1.8V mode (USIM\_VDD=1.8V)**

Symbol	Parameter	Min.	Typ.	Max.	Unit
USIM_VDD	LDO power output voltage	1.75	1.8	1.95	V
V <sub>IH</sub>	High-level input voltage	0.65*USIM_VDD	-	USIM_VDD +0.3	V
V <sub>IL</sub>	Low-level input voltage	-0.3	0	0.35*USIM_VDD	V
V <sub>OH</sub>	High-level output voltage	USIM_VDD -0.45	-	USIM_VDD	V
V <sub>OL</sub>	Low-level output voltage	0	0	0.45	V

**Table 12: USIM electronic characteristic 3.0V mode (USIM\_VDD=2.95V)**

Symbol	Parameter	Min.	Typ.	Max.	Unit
USIM_VDD	LDO power output voltage	2.75	2.95	3.05	V
V <sub>IH</sub>	High-level input voltage	0.65*USIM_VDD	-	USIM_VDD +0.3	V
V <sub>IL</sub>	Low-level input voltage	-0.3	0	0.25*USIM_VDD	V
V <sub>OH</sub>	High-level output voltage	USIM_VDD -0.45	-	USIM_VDD	V
V <sub>OL</sub>	Low-level output voltage	0	0	0.45	V

#### 3.5.1 USIM Application Guide

It is recommended to use an ESD protection component such as ESDA6V1W5 produced by ST ([www.st.com](http://www.st.com)) or SMF15C produced by ON SEMI ([www.onsemi.com](http://www.onsemi.com)). Note that the USIM peripheral circuit should be close to the USIM card socket. The following figure shows the 6-pin SIM card holder reference circuit.



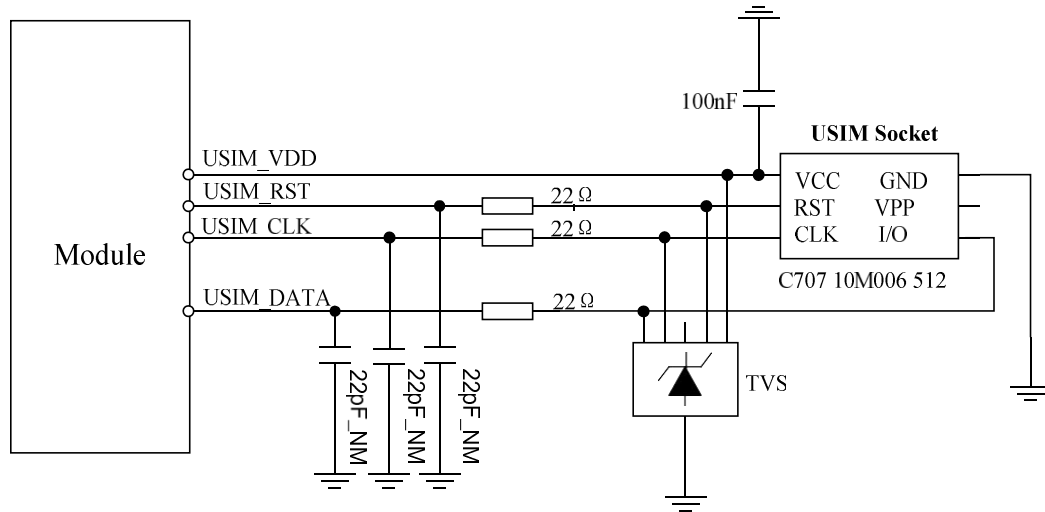


Figure 19: USIM interface reference circuit

*Note: USIM\_DATA has been pulled up with a 100KΩ resistor to USIM\_VDD in module. A 100nF capacitor on USIM\_VDD is used to reduce interference. For more details of AT commands about USIM, please refer to document [1]. USIM\_CLK is very important signal, the rise time and fall time of USIM\_CLK should be less than 40ns, otherwise the USIM card might not be initialized correctly.*

## Recommended USIM Card Holder

It is recommended to use the 6-pin USIM socket such as C707 10M006 512 produced by Amphenol. User can visit <http://www.amphenol.com> for more information about the holder.

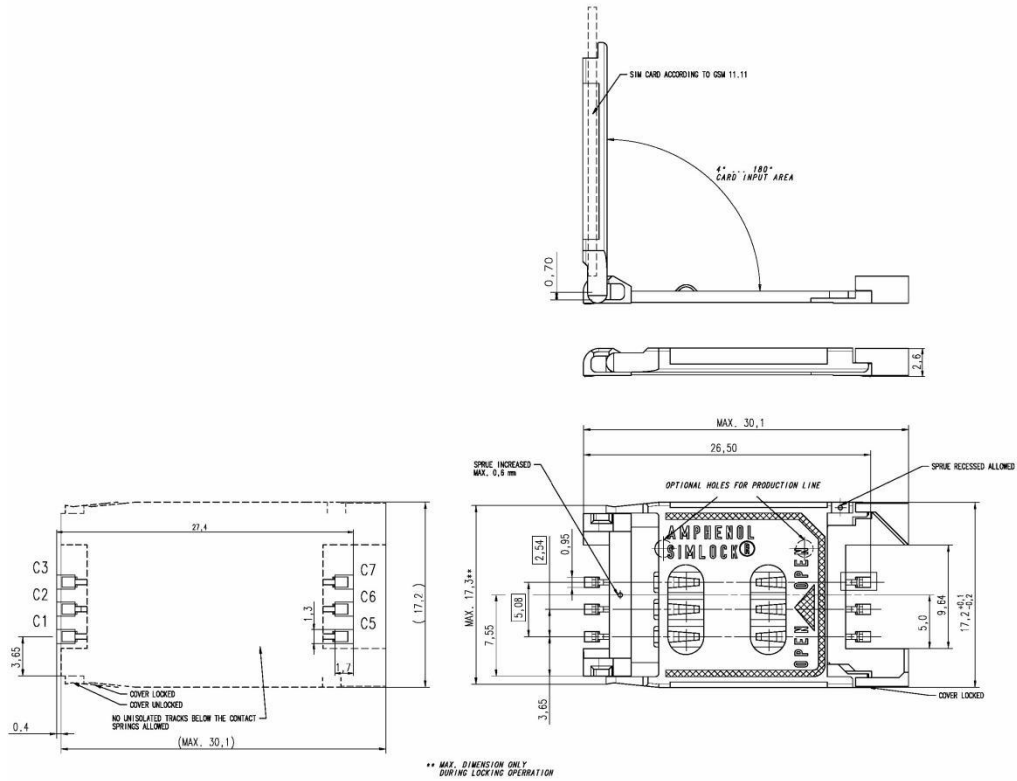


Figure 20: Amphenol SIM card socket

Table 13: Amphenol USIM socket pin description

Pin	Signal	Description
C1	USIM_VDD	USIM Card Power supply.
C2	USIM_RST	USIM Card Reset.
C3	USIM_CLK	USIM Card Clock.
C5	GND	Connect to GND.
C6	VPP	
C7	USIM_DATA	USIM Card data I/O.

### 3.6 PCM Interface

A7608SA-H provides a PCM interface for external codec, which can be used in master mode with short sync and 16 bits linear format.

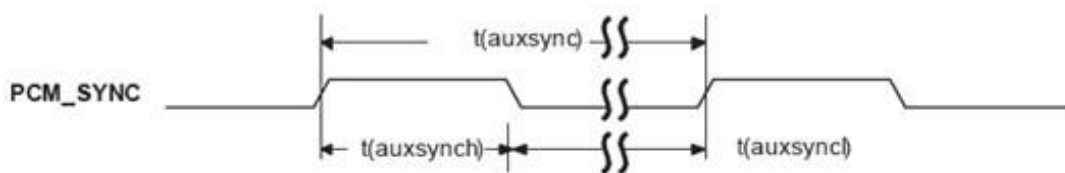
**Table 14: PCM format**

Characteristics	Specification
Line Interface Format	Linear(Fixed)
Data length	16bits(Fixed)
PCM Clock/Sync Source	Master Mode(Fixed)
PCM Clock Rate	2048 KHz (Fixed)
PCM Sync Format	Short sync(Fixed)
Data Ordering	MSB

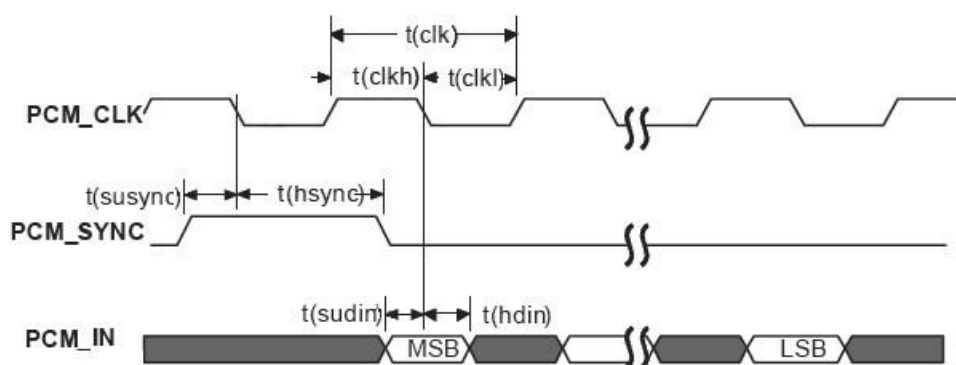
*Note: For more details about PCM AT commands, please refer to document [1].*

#### 3.6.1 PCM timing

A7608SA-H supports 2.048 MHz PCM data and sync timing for 16 bits linear format codec.



**Figure 21: PCM\_SYNC timing**



**Figure 22: EXT codec to module timing**

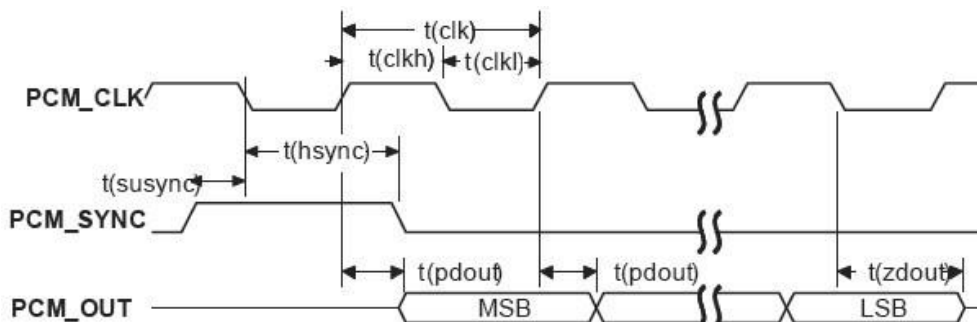


Figure 23: Module to EXT codec timing

Table 15: PCM timing parameters

Parameter	Description	Min.	Typ.	Max.	Unit
T(sync)	PCM_SYNC cycle time	–	125	–	μs
T(synch)	PCM_SYNC high level time	–	488	–	ns
T(sync <sub>l</sub> )	PCM_SYNC low level time	–	124.5	–	μs
T(clk)	PCM_CLK cycle time	–	488	–	ns
T(clkh)	PCM_CLK high level time	–	244	–	ns
T(clkl)	PCM_CLK low level time	–	244	–	ns
T(susync)	PCM_SYNC setup time high before falling edge of PCM_CLK	–	122	–	ns
T(hsync)	PCM_SYNC hold time after falling edge of PCM_CLK	–	366	–	ns
T(sudin)	PCM_IN setup time before falling edge of PCM_CLK	60	–	–	ns
T(hdin)	PCM_IN hold time after falling edge of PCM_CLK	60	–	–	ns
T(pdout)	Delay from PCM_CLK rising to PCM_OUT valid	–	–	60	ns
T(zdout)	Delay from PCM_CLK falling to PCM_OUT HIGH-Z	–	–	60	ns

### 3.6.2 PCM Application Guide

The following figure shows the external codec reference design.

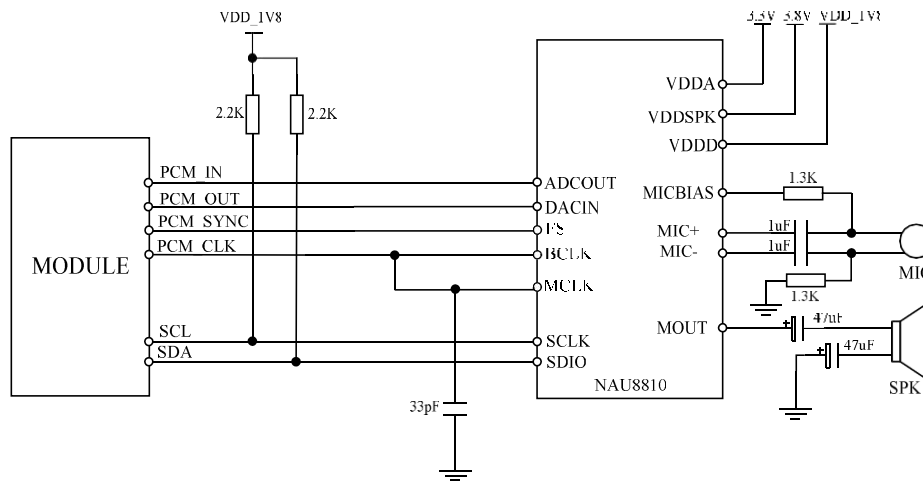


Figure 24: Audio codec reference circuit

### 3.7 SD Interface

A7608SA-H provides a 4-bit SD/MMC interface with clock rate up to 200 MHz, The voltage of MMC/SD interface is 2.95V, which is compatible with SDIO Card Specification (version 3.0) and Secure Digital (Physical Layer Specification, version 3.0).It supports up to 32GB SD cards.

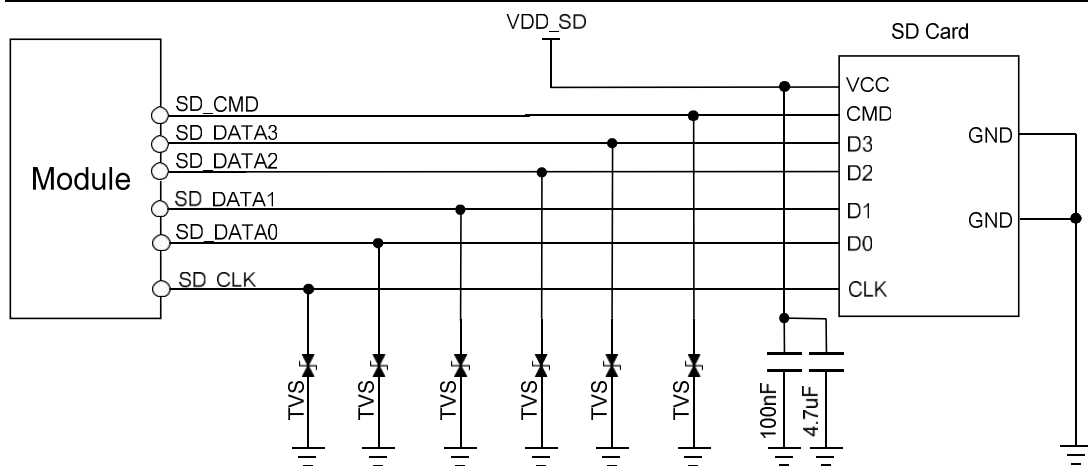
Table 16: MMC/SD electronic characteristic (SD\_DATA0-SD\_DATA3 · SD\_CLK and SD\_CMD) \*

Symbol	Parameter	Min.	Typ.	Max.	Unit
VDD_SD	LDO power output voltage**	2.75	2.85	3.05	V
V <sub>IH</sub>	High-level input voltage	0.65·VDD_EXT	-	VDD_EXT+0.3	V
V <sub>IL</sub>	Low-level input voltage	-0.3	0	0.25·VDD_EXT	V
V <sub>OH</sub>	High-level output voltage	VDD_EXT-0.4	2.85	VDD_EXT	V
V <sub>OL</sub>	Low-level output voltage	0	0	0.45	V

Note:

*\*Be different from SD\_DATA0-SD\_DATA3 · SD\_CLK and SD\_CMD · SD\_DET is 1.8V operation voltage.*

Customer should provide VDD\_SD for SD card and the current should more than 350mA. ESD/EMI components should be arranged beside SD card socket. Refer to the following application circuit.



**Figure 25: SD reference circuit**

SD card layout guide lines:

- Protect other sensitive signals/circuits from SD card signals.
- Protect SD card signals from noisy signals (clocks, SMPS, etc.).
- Up to 200 MHz clock rate, 50  $\Omega$  nominal,  $\pm 10\%$  trace impedance
- CLK to DATA/CMD length matching < 1 mm
- 15–24  $\Omega$  termination resistor on clock lines near module
- Total routing length < 50 mm recommended
- Routing distance from module clock pin to termination resistor < 5 mm
- Spacing to all other signals = 2x line width
- Bus capacitance < 15 pF

### 3.8 I2C Interface

A7608SA-H provides a I2C interface compatible with I2C specification, version 5.0, with clock rate up to 400 kbps. Its operation voltage is 1.8V.

The following figure shows the I2C bus reference design.

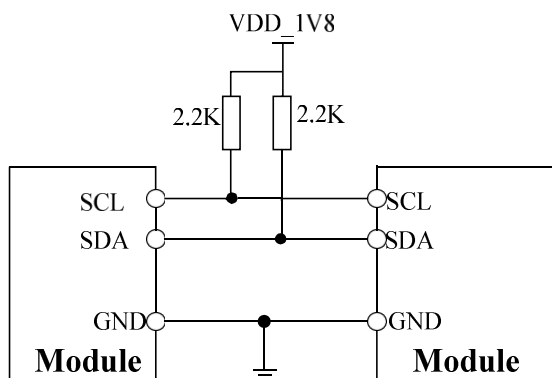


Figure 26: I2C reference circuit

*Note : SDA and SCL do not have pull-up resistors in module. So, 2 external pull up resistors are needed in application circuit.*

*“AT+CR1IC and AT+CW1IC” AT commands could be used to read/write register values of the I2C peripheral devices. For more details about AT commands please refer to document [1].*

### 3.9 SDIO Interface

A7608SA-H provides a 4 bit 1.8V SDIO interface for WLAN solution.

The default WLAN IC is QCA9377, and the application need software support.

This part do not support now, need for future develop.

### 3.10 SPI Interface

A7608SA-H provides a SPI interface as a master only. Its operation voltage is 1.8V, and its clock rate is up to 26 MHz.

*Note : For more details of the AT commands about the SPI, please refer to document [1].*

### 3.11 Network status

The NETLIGHT pin is used to control Network Status LED, its reference circuit is shown in the following figure.

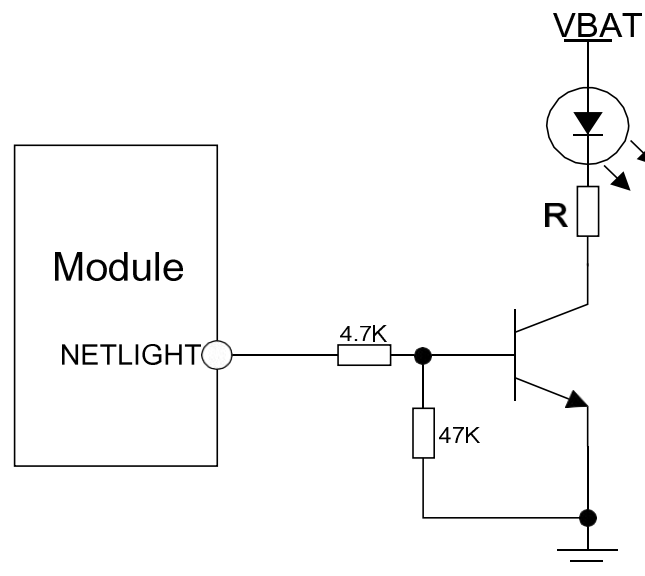


Figure 27: NETLIGHT reference circuit

*Note: The value of the resistor named “R” depends on the LED characteristic.*

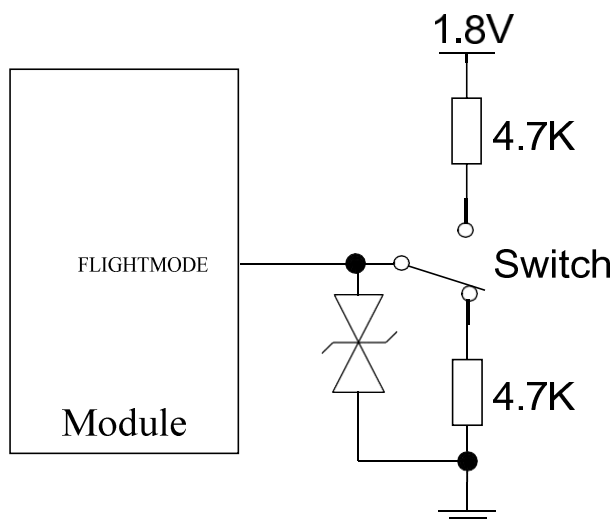
**Table 17: NETLIGHT pin status**

NETLIGHT pin status	Module status
Always On	Searching Network; Call Connect(include VOLTE,SRLTE)
200ms ON, 200ms OFF	Data Transmit; 4G registered;
800ms ON, 800ms OFF	2G/3G registered network
OFF	Power off ;Sleep

*Note: NETLIGHT output low level as “OFF”, and high level as “ON”.*

### 3.12 Flight Mode Control

The FLIGHTMODE pin can be used to control A7608SA-H to enter or exit the Flight mode. In Flight mode, the RF circuit is closed to prevent interference with other equipments and minimize current consumption. Bidirectional ESD protection component is suggested to add on FLIGHTMODE pin, its reference circuit is shown in the following figure.



**Figure 28: Flight mode switch reference circuit**

**Table 18: FLIGHTMODE pin status**

FLIGHTMODE pin status	Module operation
Input Low Level	Flight Mode: RF is closed
Input High Level	AT+CFUN=0: RF is closed AT+CFUN=1:RF is working



### 3.13 Other interface

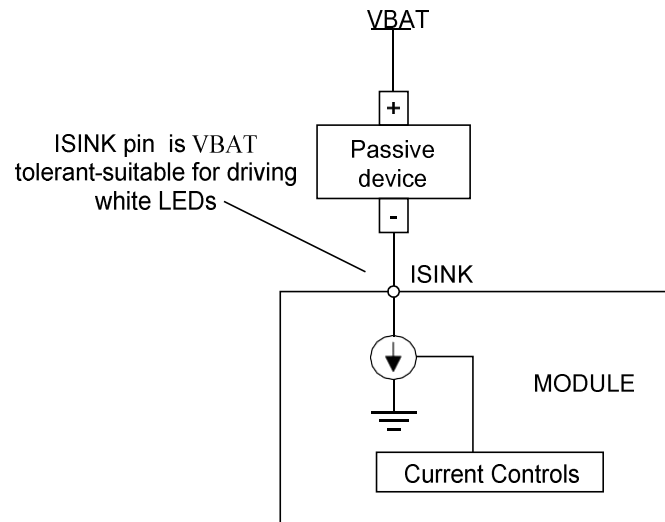
#### 3.13.1 Sink Current Source

The ISINK pin is VBAT tolerant and intended to drive some passive devices, such as LCD backlight and white LED, etc. Its output current can be up to 40mA and be set by the AT command “AT+ CLEDITST”.

**Table 19: Sink current electronic characteristic**

Symbol	Description	Min.	Typ.	Max.	Unit
V <sub>ISINK</sub>	Voltage tolerant	0.5	-	VBAT	V
I <sub>ISINK</sub>	Current tolerant	0	-	40	mA

ISINK is a ground-referenced current sink. The following figure shows its reference circuit.



**Figure 29: ISINK reference circuit**

*Note: The sinking current can be adjusted to meet the design requirement through the AT command “AT+ CLEDITST =<0>, <value>”. The “value” ranges from 0 to 8, on behalf of the current from 0mA to 40mA by 5mA step.*

### 3.13.2 ADC

A7608SA-H has 2 dedicated ADC pins named ADC1 and ADC2. They are available for digitizing analog signals such as battery voltage and so on. These electronic specifications are shown in the following table.

**Table 20: ADC1 and ADC2 electronic characteristics**

Characteristics	Min.	Typ.	Max.	Unit
Resolution	–	15	–	Bits
Conversion time	–	442	–	ms
Input Range	0.1		1.7	V
Input serial resistance	1	–	–	MΩ

*Note: “AT+CADC” and “AT+CADC2” can be used to read the voltage of the ADC1 and ADC2 pins, for more details, please refer to document [1].*

### 3.13.3 LDO

A7608SA-H has a LDO power output, named VDD\_EXT. its output voltage is 0V by default, Users can switch the LDO on or off by the AT command “AT+CVAUXS” and configure its output voltage by the AT command “AT+CVAUXV”.

**Table 21: Electronic characteristic**

Symbol	Description	Min.	Typ.	Max.	Unit
V <sub>VDD_EXT</sub>	Output voltage	1.7	2.95	3.05	V
I <sub>O</sub>	Output current	-	-	150	mA

*Note : For more details of AT commands about VDD\_EXT, please refer to document [1].*

## 4 RF Specifications

### 4.1 UMTS/LTE RF Specifications

**Table 22: Operating frequencies**

Frequency	Receiving	Transmission
WCDMA B2	1932.4-1987.6 MHz	1852.4-1907.6 MHz
WCDMA B5	871.4-891.6MHz	826.4-846.6 MHz
The LTE Operating frequencies are shown in the following table 24.		
GPS	1574.4 ~ 1576.44 MHz	-

**Table 23: E-UTRA operating bands**

E-UTRA operating band	Uplink (UL) operating band	Downlink(DL) operating band	Duplex Mode
2	1850~1910 MHz	1930~1990 MHz	FDD
4	1710~1755MHz	2110~2155MHz	FDD
5	824~849 MHz	869~894MHz	FDD
41	2496~2690 MHz	2496~2690 MHz	TDD
66	1710~1780MHz	2110-2200MHz	FDD

**Table 24: Conducted receive sensitivity**

Frequency	Receive sensitivity(Typical)	Receive sensitivity(MAX)
WCDMA 2	< -110dBm	3GPP
WCDMA 8	< -110dBm	3GPP
LTE FDD	See table 26.	3GPP

**Table 25: Reference sensitivity (QPSK)**

E-UTRA band	3GPP standard				Test value	3GPP standard		Duplex
	1.4 MHz	3MHz	5MHz	10MHz	10 MHz	15 MHz	20 MHz	
2	-102	-99	-96.3	-94.3	-97	-92.5	-91.3	FDD
4	-104	-101	-99.3	-96.3	-99	-94.5	-93.3	FDD
5	-103.2	-100.2	-98	-95	-99			FDD
41			-97.3	-94.3	-97	-92.5	-91.3	TDD
66	-104	-101	-99.3	-96.3	-99	-94.5	-93.3	FDD

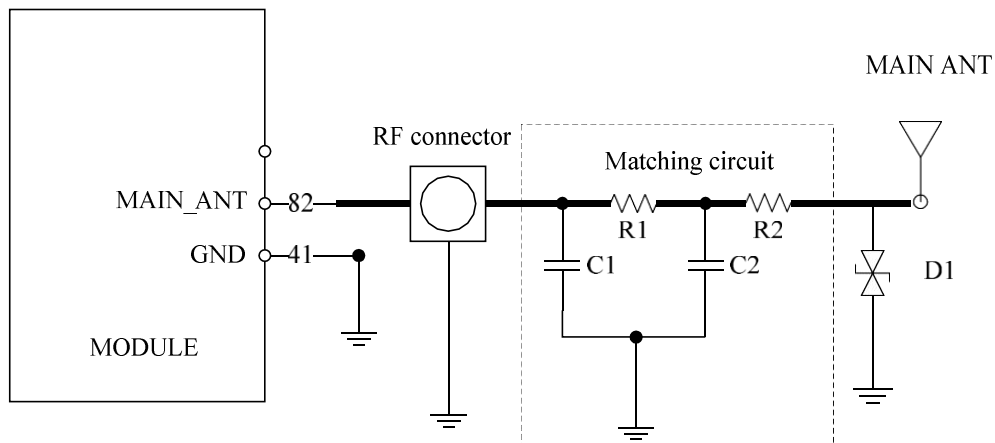
## 4.2 UMTS/LTE Antenna Design Guide

Users should connect antennas to A7608SA-H’s antenna pads through micro-strip line or other types of RF trace and the trace impedance must be controlled in  $50\Omega$ . SIMCom recommends that the total insertion loss between the antenna pads and antennas should meet the following requirements:

**Table 26: Trace loss**

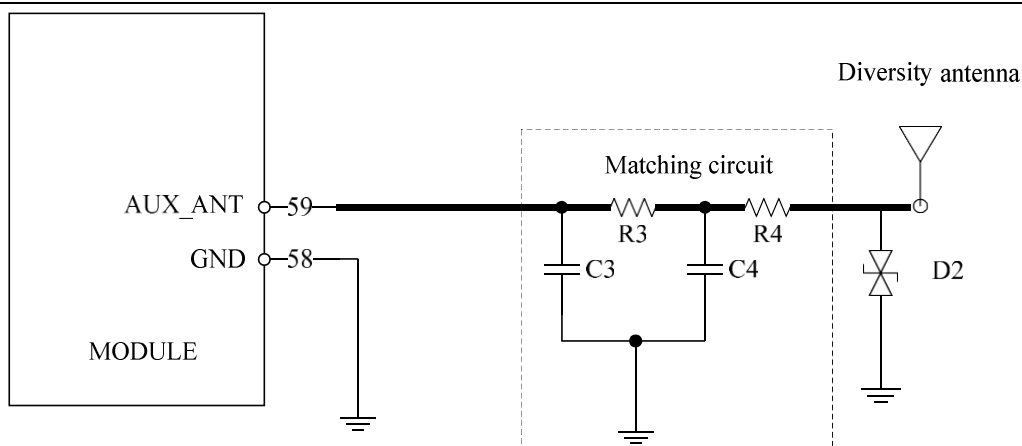
Frequency	Loss
700MHz-960MHz	<0.5dB
1710MHz-2170MHz	<0.9dB
2300MHz-2650MHz	<1.2dB

To facilitate the antenna tuning and certification test, a RF connector and an antenna matching circuit should be added. The following figure is the recommended circuit.



**Figure 30: Antenna matching circuit (MAIN\_ANT)**

In above figure, the components R1, C1, C2 and R2 are used for antenna matching, the values of components can only be achieved after the antenna tuning and usually provided by antenna vendor. By default, the R1, R2 are  $0\Omega$  resistors, and the C1, C2 are reserved for tuning. The component D1 is a TVS for ESD protection, and it is optional for users according to application environment. The RF test connector is used for the conducted RF performance test, and should be placed as close as to the module’s MAIN\_ANT pin. The traces impedance between A7608SA-H and antenna must be controlled in  $50\Omega$ .



**Figure 31: Antenna matching circuit (AUX\_ANT)**

In above figure, R3, C3, C4 and R4 are used for auxiliary antenna matching. By default, the R3, R4 are 0 Ω resistors, and the C3, C4 are reserved for tuning. D2 is a TVS for ESD protection, and it is optional for users according to application environment.

Two TVS are recommended in the table below.

**Table 27: Recommended TVS**

Package	Part Number	Vender
0201	LXES03AAA1-154	Murata
0402	LXES15AAA1-153	Murata

*Note : SIMCom suggests the LTE auxiliary antenna to be kept on, since there are many high bands in the designing of TDD-LTE, such as band38, band40 and band41. Because of the high insert loss of the RF cable and layout lines, the receiver sensitivity of these bands above will have risk to meet the authentication without the diversity antenna. For more details about auxiliary antenna design notice, please refer to document [25].*

**max antenna gain**

### 4.3 GNSS

A7608SA-H merges GNSS (GPS/GLONASS) satellite and network information to provide a high-availability solution that offers industry-leading accuracy and performance. This solution performs well, even in very challenging environmental conditions where conventional GNSS receivers fail, and provides a platform to enable wireless operators to address both location-based services and emergency mandates.

#### 4.3.1 GNSS Technical specification

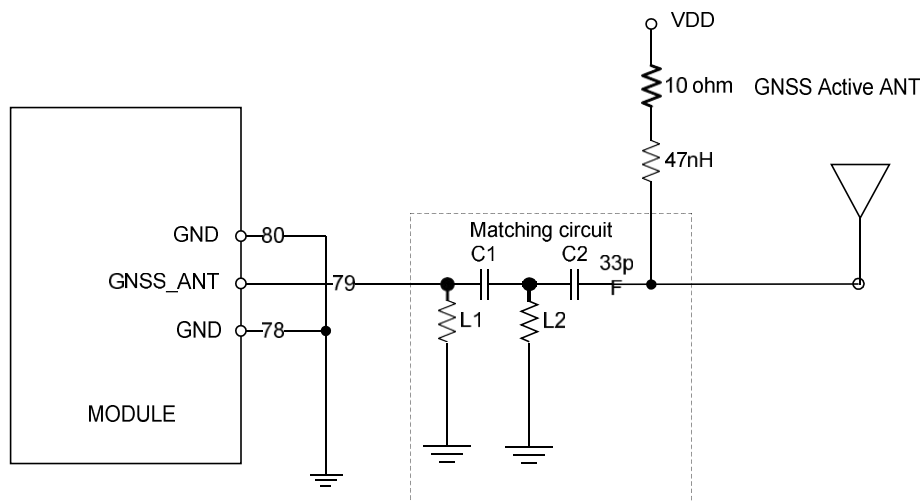
- Tracking sensitivity: -159 dBm (GPS) /-158 dBm (GLONASS)

- Cold-start sensitivity: -148 dBm
- Accuracy (Open Sky): 2.5m (CEP50)
- TTFF (Open Sky) : Hot start <1s, Cold start<35s
- Receiver Type: 16-channel, C/A Code
- GPS L1 Frequency: 1575.42±1.023MHz
- GLONASS: 1597.5~1605.8 MHz
- Update rate: Default 1 Hz
- GNSS data format: NMEA-0183
- GNSS Current consumption : 100mA (GSM/CDMA 1X/UMTS/LTE Sleep ,in total on VBAT pins)
- GNSS antenna: Passive/Active antenna

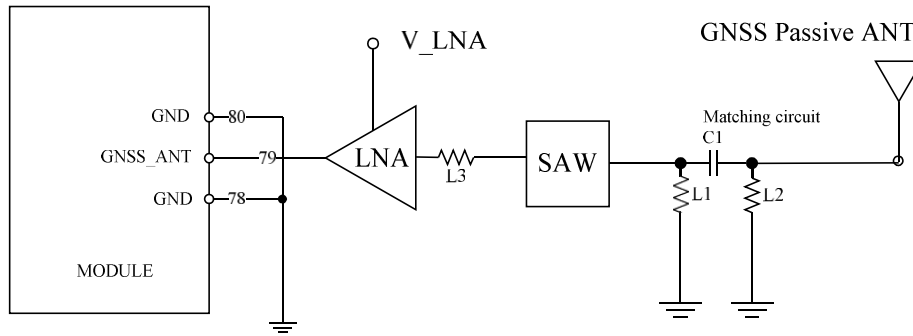
*Note: If the antenna is active type, the power should be given by main board because there is no power supply on the GPS antenna pad. If the antenna is passive, it is suggested that the external LNA should be used.*

### 4.3.2 GNSS Application Guide

Users can adopt an active antenna or a passive antenna to A7608SA-H. If using a passive antenna, an external LNA is a must to get better performance. The following figures are the reference circuits.



**Figure 32: Active antenna circuit**



**Figure 33: Passive antenna circuit (Default)**

In above figures, the components C1, L1 and L2 are used for antenna matching. Usually, the values of the components can only be achieved after antenna tuning and usually provided by antenna vendor. C2 is used for DC blocking. L3 is the matching component of the external LNA, and the value of L3 is determined by the LNA characteristic and PCB layout. Both VDD of active antenna and V\_LNA need external power supplies which should be considered according to active antenna and LNA characteristic. LDO/DCDC is recommended to get lower current consuming by shutting down active antennas and LNA when GNSS is not working.

GNSS can be tested by NMEA port. NMEA sentences can be obtained through UART or USB automatically. NMEA sentences include GSV, GGA, RMC, GSA, and VTG. Before using GNSS, user should configure A7608SA-H in proper operating mode by AT command. Please refer to related documents for details. A7608SA-H can also get position location information through AT directly.

**Note:** GNSS is closed by default and can be started by AT+CGPS. The AT command has two parameters, the first is on/off, and the second is GNSS mode. Default mode is standalone mode. AGPS mode needs more support from the mobile telecommunication network. Please refer to document [24] for more details.



## 5 Electrical Specifications

### 5.1 Absolute maximum ratings

Absolute maximum rating for digital and analog pins of A7608SA-H are listed in the following table:

**Table 28: Absolute maximum ratings**

Parameter	Min.	Typ.	Max.	Unit
Voltage at VBAT	-0.5	-	6.0	V
Voltage at USB_VBUS	-0.5	-	5.85	V
Voltage at digital pins (RESET,SPI,Keypad,GPIO,I2C,UART,PCM)	-0.3	-	2.1	V
Voltage at digital pins (SD,USIM)	-0.3	-	3.05	V
Voltage at PWRKEY	-0.3	-	1.8	

### 5.2 Operating conditions

**Table29: Recommended operating ratings**

Parameter	Min.	Typ.	Max.	Unit
Voltage at VBAT	3.4	3.8	4.2	V
Voltage at USB_VBUS	3.0	5.0	5.25	V

**Table 30: 1.8V Digital I/O characteristics\***

Parameter	Description	Min.	Typ.	Max.	Unit
V <sub>IH</sub>	High-level input voltage	1.17	1.8	2.1	V
V <sub>IL</sub>	Low-level input voltage	-0.3	0	0.63	V

V <sub>OH</sub>	High-level output voltage	1.35	-	1.8	V
V <sub>OL</sub>	Low-level output voltage	0	-	0.45	V
I <sub>OH</sub>	High-level output current(no pull down resistor)	-	2	-	mA
I <sub>OL</sub>	Low-level output current(no pull up resistor)	-	-2	-	mA
I <sub>IH</sub>	Input high leakage current (no pull down resistor)	-	-	1	uA
I <sub>IL</sub>	Input low leakage current(no pull up resistor)	-1	-	-	uA

*\*Note: These parameters are for digital interface pins, such as SPI, GPIOs (NETLIGHT, FLIGHTMODE, STATUS, USIM\_DET, SD\_DET), SDIO, I2C, UART, PCM, COEXn, and BOOT\_CFG0.*

The operating temperature of A7608SA-H is listed in the following table.

**Table 31: Operating temperature**

Parameter	Min.	Typ.	Max.	Unit
Normal operation temperature	-30	25	80	°C
Extended operation temperature*	-40	25	85	°C
Storage temperature	-45	25	+90	°C

*\*Note: Module is able to make and receive voice calls, data calls, SMS and make GSM/CDMA 1X/UMTX/LTE traffic in -40 °C ~ +85 °C . The performance will be reduced slightly from the 3GPP specifications if the temperature is outside the normal operating temperature range and still within the extreme operating temperature range.*

## 5.3 Operating Mode

### 5.3.1 Operating Mode Definition

The table below summarizes the various operating modes of A7608SA-H product.

**Table 32: Operating mode Definition**

Mode	Function
Normal operation	UMTS/LTE Sleep In this case, the current consumption of module will be reduced to the minimal level and the module can still receive paging message and SMS.
	UMTS/LTE Idle Software is active. Module is registered to the network, and the module is ready to communicate.
	UMTS/LTE Talk Connection between two subscribers is in progress. In this case, the power consumption depends on network settings such as DTX off/on,

		FR/EFR/HR, hopping sequences, and antenna.
	UMTS/LTE Standby	Module is ready for data transmission, but no data is currently sent or received. In this case, power consumption depends on network settings.
	UMTS/LTE Data transmission	There is data transmission in progress. In this case, power consumption is related to network settings (e.g. power control level); uplink/downlink data rates, etc.
	Minimum functionality mode	AT command “AT+CFUN=0” AT+CSCLK=1 can be used to set the module to a minimum functionality mode without removing the power supply. In this mode, the RF part of the module will not work and the USIM card will not be accessible, but the serial port and USB port are still accessible. The power consumption in this mode is lower than normal mode.
	Flight mode	AT command “AT+CFUN=4” or pulling down the FLIGHTMODE pin can be used to set the module to flight mode without removing the power supply. In this mode, the RF part of the module will not work, but the serial port and USB port are still accessible. The power consumption in this mode is lower than normal mode.
	Power off	Module will go into power off mode by sending the AT command “AT+CPOF” or pull down the PWRKEY pin, normally. In this mode the power management unit shuts down the power supply, and software is not active. The serial port and USB are is not accessible.

### 5.3.2 Sleep mode

In sleep mode, the current consumption of module will be reduced to the minimal level, and module can still receive paging message and SMS.

Several hardware and software conditions must be satisfied together in order to let A7608SA-H enter into sleep mode:

1. UART condition
2. USB condition
3. Software condition

**Note:** Before designing, pay attention to how to realize sleeping/waking function and refer to Document [26] for more details.

### 5.3.3 Minimum functionality mode and Flight mode

Minimum functionality mode ceases a majority function of module, thus minimizing the power consumption. This mode is set by the AT command which provides a choice of the functionality levels.

- AT+CFUN=0: Minimum functionality
- AT+CFUN=1: Full functionality (Default)

- AT+CFUN=4: Flight mode

If A7608SA-H has been set to minimum functionality mode, the RF function and USIM card function will be closed. In this case, the serial port and USB are still accessible, but RF function and USIM card will be unavailable.

If A7608SA-H has been set to flight mode, the RF function will be closed. In this case, the serial port and USB are still accessible, but RF function will be unavailable.

When A7608SA-H is in minimum functionality or flight mode, it can return to full functionality by the AT command “AT+CFUN=1”.

## 5.4 Current Consumption

The current consumption is listed in the table below.

**Table 33: Antenna Gain(dBi)**

Technology	Standard	Antenna Gain(dBi)
GSM	850	2
GSM	1900	3
WCDMA	band 2	3
WCDMA	Band 5	2
LTE	band 2	3
LTE	Band 4	6
LTE	band 5	2
LTE	band 41	9
LTE	band 66	6

## 5.5 ESD Notes

A7608SA-H is sensitive to ESD in the process of storage, transporting, and assembling. When A7608SA-H is mounted on the users’ mother board, the ESD components should be placed beside the connectors which human body may touch, such as USIM card holder, audio jacks, switches, keys, etc. The following table shows the A7608SA-H ESD measurement performance without any external ESD component.

**Table 34: The ESD performance measurement table (Temperature: 25°C, Humidity: 45%)**

Part	Contact discharge	Air discharge
VBAT,GND	+/-6K	+/-12K



**Smart Machine Smart Decision**

Antenna port	+/-5K	+/-10K
USB	+/-4K	+/-8K
UART	+/-3K	+/-6K
Other PADS	+/-3K	+/-6K

## 6 SMT Production Guide

### 6.1 Top and Bottom View of A7608SA-H

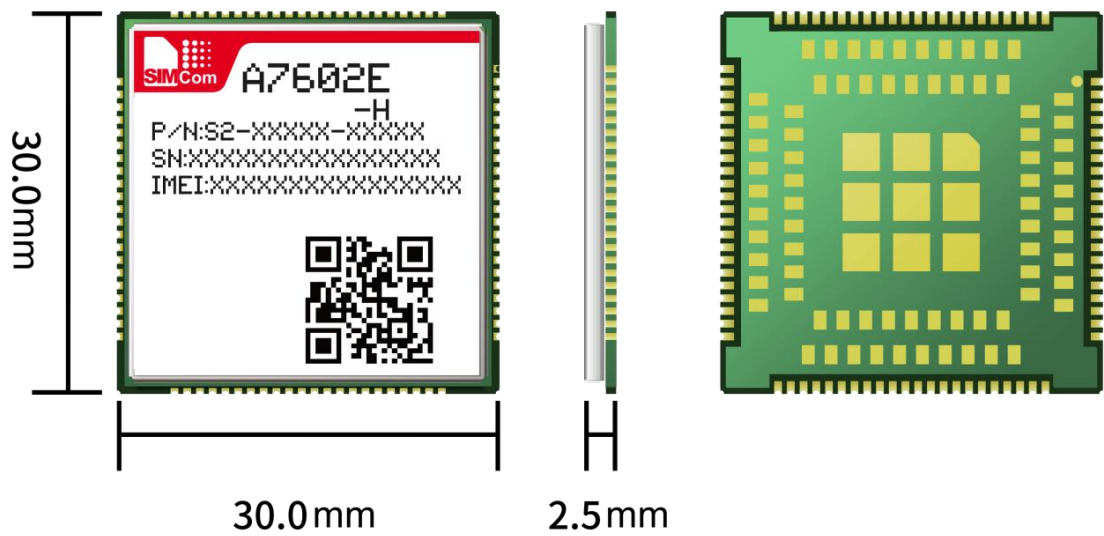


Figure 34: Top and bottom view of A7608SA-H

## 6.2 Label Information

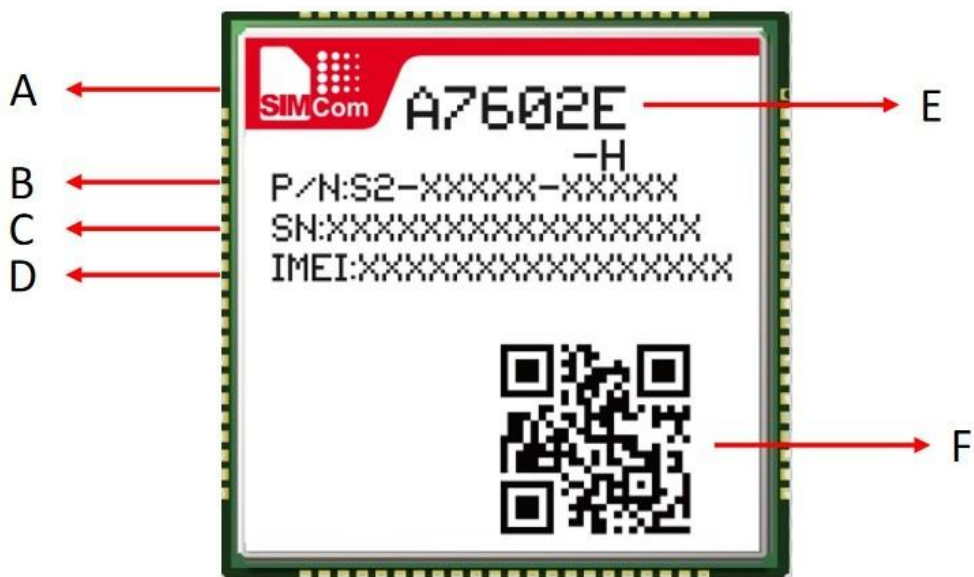


Figure 35: Label information

Table 35: The description of label information

No.	Description
A	LOGO
B	Module part number
C	Project name
D	Serial number
E	International mobile equipment identity
F	QR code

## 6.3 Typical SMT Reflow Profile

SIMCom provides a typical soldering profile. Therefore the soldering profile shown below is only a generic recommendation and should be adjusted to the specific application and manufacturing

constraints.

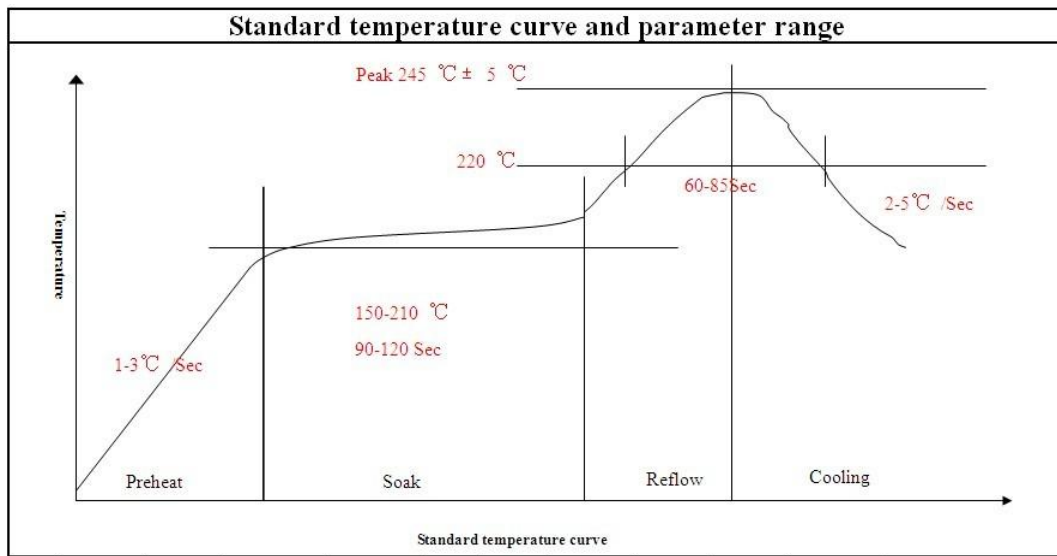


Figure 36: The ramp-soak-spike reflow profile of A7608SA-H

Note: For more details about secondary SMT, please refer to the document [21].

#### 6.4 Moisture Sensitivity Level (MSL)

A7608SA-H is qualified to Moisture Sensitivity Level (MSL) 3 in accordance with JEDEC J-STD-033. If the prescribed time limit is exceeded, users should bake modules for 192 hours in drying equipment (<5% RH) at 40+5/-0°C, or 72 hours at 85+5/-5°C. Note that plastic tray is not heat-resistant, and only can be baked at 45° C.

Table 36: Moisture Sensitivity Level and Floor Life

Moisture Sensitivity Level (MSL)	Floor Life (out of bag) at factory ambient ≤30°C/60% RH or as stated
1	Unlimited at ≅ 30°C/85% RH
2	1 year
2a	4 weeks
3	168 hours
4	72 hours
5	48 hours
5a	24 hours
6	Mandatory bake before use. After bake, it must be reflowed within the time limit specified on the label.

NOTE: IPC / JEDEC J-STD-033 standard must be followed for production and storage.



## 6.5 Stencil Foil Design Recommendation

The recommended thickness of stencil foil is more than 0.15mm.

## 7 Packaging

A7608SA-H module support tray packaging.

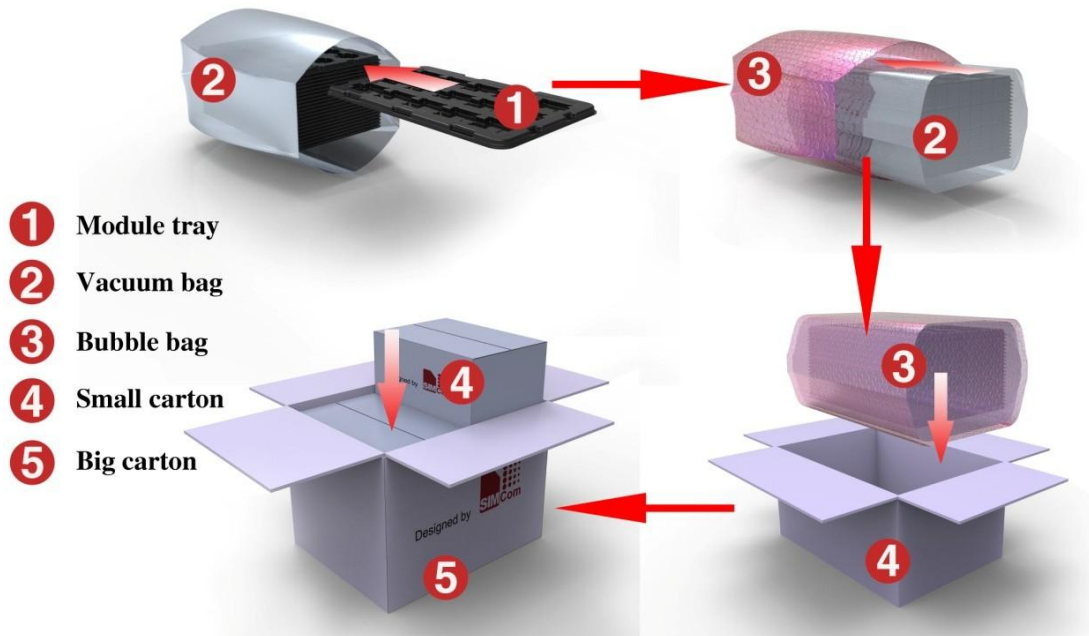


Figure 37: packaging diagram

Module tray drawing:

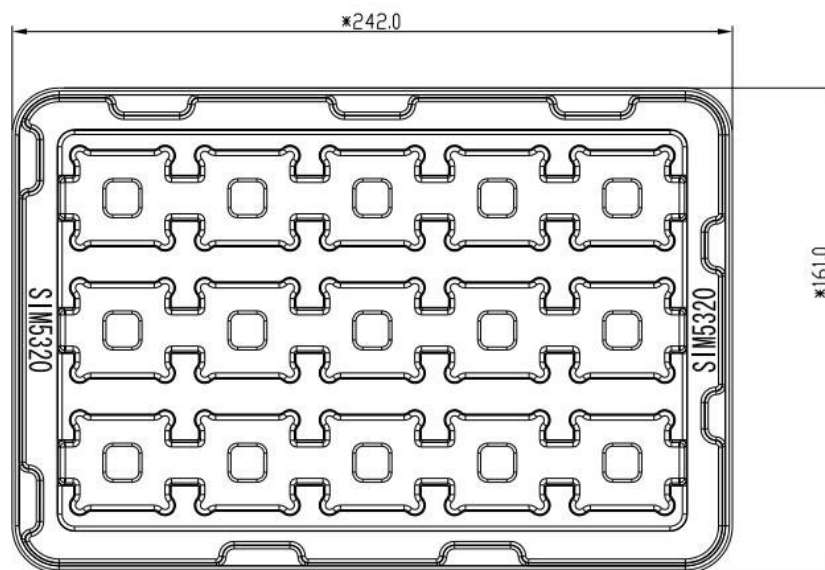
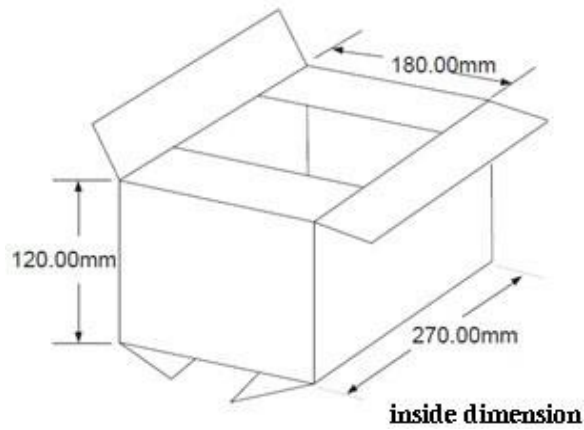


Figure 38: Tray drawing

**Table 37: Tray size**

Length ( ±3mm )	Width ( ±3mm )	Number
242.0	161.0	15

Small carton drawing:

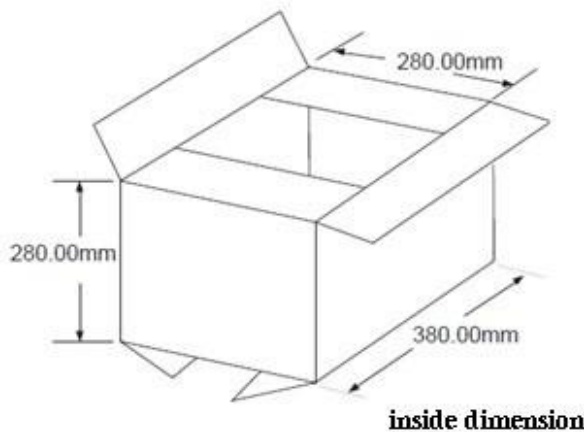


**Figure 39: Small carton drawing**

**Table 38: Small Carton size**

Length ( ±10mm )	Width ( ±10mm )	Height ( ±10mm )	Number
270	180	120	15*20=300

Big carton drawing:



**Figure 40: Big carton drawing**

**Table 39: Big Carton size**



**Smart Machine Smart Decision**

<b>Length ( ±10mm )</b>	<b>Width ( ±10mm )</b>	<b>Height ( ±10mm )</b>	<b>Number</b>
-------------------------	------------------------	-------------------------	---------------

# Appendix

## A. Reference Design

Refer to < SIM7600 Reference Design V1.X.pdf > for the details.

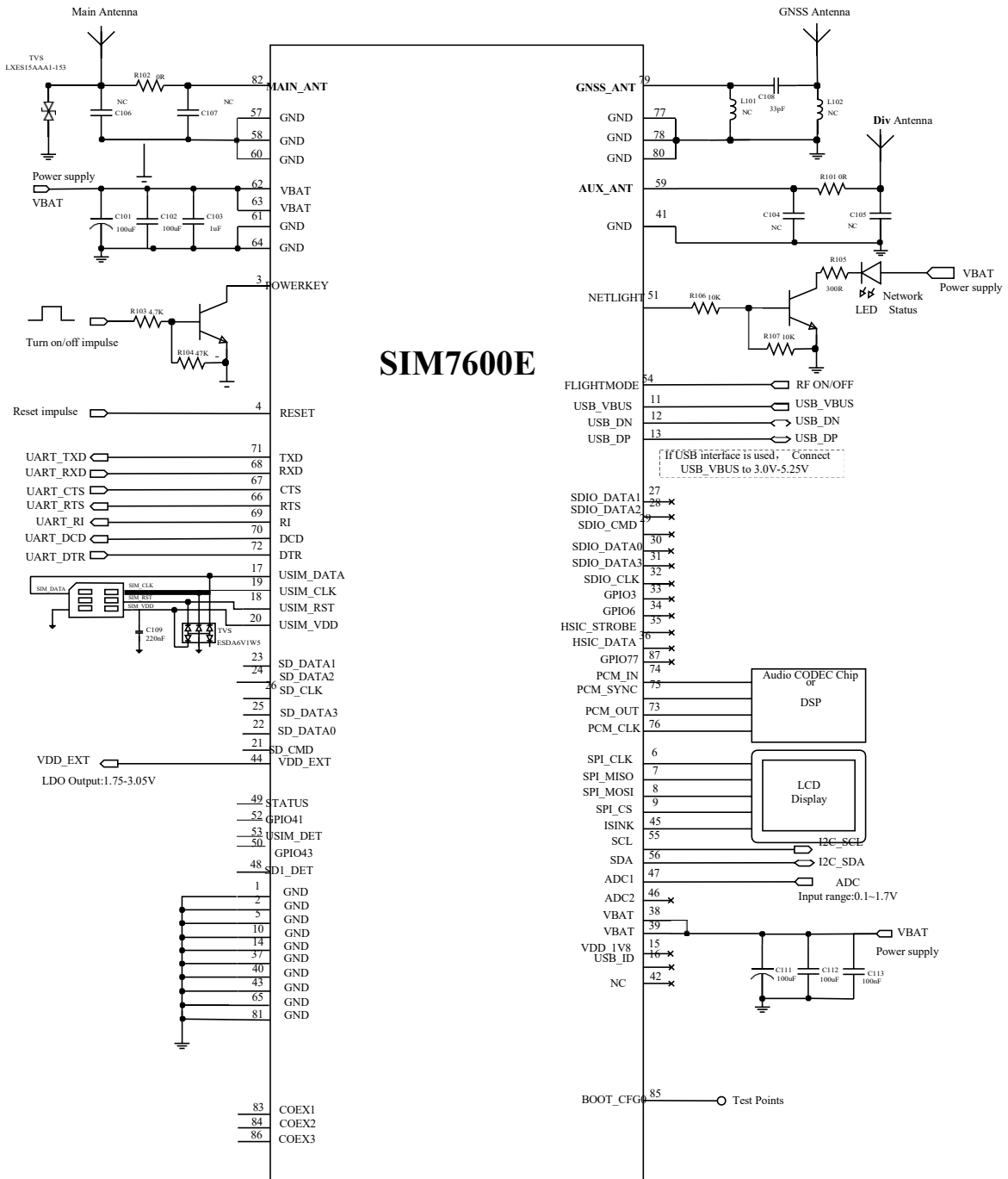


Figure 41: Reference design

## B. Coding Schemes and Maximum Net Data Rates over Air Interface

Table 40: Coding Schemes and Maximum Net Data Rates over Air Interface

Multislot definition(GPRS/EDGE)			
Slot class	DL slot number	UL slot number	Active slot number
1	1	1	2
2	2	1	3
3	2	2	3
4	3	1	4
5	2	2	4
6	3	2	4
7	3	3	4
8	4	1	5
9	3	2	5
10	4	2	5
11	4	3	5
12	4	4	5
GPRS coding scheme	Max data rata ( 4 slots )		Modulation type
CS 1 = 9.05 kb/s / time slot	36.2 kb/s		GMSK
CS 2 = 13.4 kb/s / time slot	53.6 kb/s		GMSK
CS 3 = 15.6 kb/s / time slot	62.4 kb/s		GMSK
CS 4 = 21.4 kb/s / time slot	85.6 kb/s		GMSK
EDGE coding scheme	Max data rata ( 4 slots )		Modulation type
MCS 1 = 8.8 kb/s/ time slot	35.2 kb/s		GMSK
MCS 2 = 11.2 kb/s/ time slot	44.8 kb/s		GMSK
MCS 3 = 14.8 kb/s/ time slot	59.2 kb/s		GMSK
MCS 4 = 17.6 kb/s/ time slot	70.4 kb/s		GMSK
MCS 5 = 22.4 kb/s/ time slot	89.6 kb/s		8PSK
MCS 6 = 29.6 kb/s/ time slot	118.4 kb/s		8PSK
MCS 7 = 44.8 kb/s/ time slot	179.2 kb/s		8PSK
MCS 8 = 54.4 kb/s/ time slot	217.6 kb/s		8PSK
MCS 9 = 59.2 kb/s/ time slot	236.8 kb/s		8PSK
HSDPA device category	Max data rate ( peak )		Modulation type
Category 1	1.2Mbps		16QAM,QPSK
Category 2	1.2Mbps		16QAM,QPSK
Category 3	1.8Mbps		16QAM,QPSK
Category 4	1.8Mbps		16QAM,QPSK

Category 5	3.6Mbps	16QAM,QPSK
Category 6	3.6Mbps	16QAM,QPSK
Category 7	7.2Mbps	16QAM,QPSK
Category 8	7.2Mbps	16QAM,QPSK
Category 9	10.2Mbps	16QAM,QPSK
Category 10	14.4Mbps	16QAM,QPSK
Category 11	0.9Mbps	QPSK
Category 12	1.8Mbps	QPSK
Category 13	17.6Mbps	64QAM
Category 14	21.1Mbps	64QAM
Category 15	23.4Mbps	16QAM
Category 16	28Mbps	16QAM
Category 17	23.4Mbps	64QAM
Category 18	28Mbps	64QAM
Category 19	35.5Mbps	64QAM
Category 20	42Mbps	64QAM
Category 21	23.4Mbps	16QAM
Category 22	28Mbps	16QAM
Category 23	35.5Mbps	64QAM
Category 24	42.2Mbps	64QAM
<b>HSUPA device category</b>	<b>Max data rate ( peak )</b>	<b>Modulation type</b>
Category 1	0.96Mbps	QPSK
Category 2	1.92Mbps	QPSK
Category 3	1.92Mbps	QPSK
Category 4	3.84Mbps	QPSK
Category 5	3.84Mbps	QPSK
Category 6	5.76Mbps	QPSK
<b>LTE-FDD device category (Downlink)</b>	<b>Max data rate ( peak )</b>	<b>Modulation type</b>
Category 1	10Mbps	QPSK/16QAM/64QAM
Category 2	50Mbps	QPSK/16QAM/64QAM
Category 3	100Mbps	QPSK/16QAM/64QAM
Category 4	150Mbps	QPSK/16QAM/64QAM
<b>LTE-FDD device category (Uplink)</b>	<b>Max data rate ( peak )</b>	<b>Modulation type</b>
Category 1	5Mbps	QPSK/16QAM



**Smart Machine Smart Decision**

Category 2	25Mbps	QPSK/16QAM
Category 3	50Mbps	QPSK/16QAM
Category 4	50Mbps	QPSK/16QAM



### C. Related Documents

**Table 41: Related Documents**

NO.	Title	Description
[1]	SIM7500_SIM7600 Series_AT Command Manual_V1.xx	AT Command Manual
[2]	ITU-T Draft new recommendation V.25ter	Serial asynchronous automatic dialing and control
[3]	GSM 07.07	Digital cellular telecommunications (Phase 2+); AT command set for GSM Mobile Equipment (ME)
[4]	GSM 07.10	Support GSM 07.10 multiplexing protocol
[5]	GSM 07.05	Digital cellular telecommunications (Phase 2+); Use of Data Terminal Equipment – Data Circuit terminating Equipment (DTE – DCE) interface for Short Message Service (SMS) and Cell Broadcast Service (CBS)
[6]	GSM 11.14	Digital cellular telecommunications system (Phase 2+); Specification of the SIM Application Toolkit for the Subscriber Identity Module – Mobile Equipment (SIM – ME) interface
[7]	GSM 11.11	Digital cellular telecommunications system (Phase 2+); Specification of the Subscriber Identity Module – Mobile Equipment (SIM – ME) interface
[8]	GSM 03.38	Digital cellular telecommunications system (Phase 2+); Alphabets and language-specific information
[9]	GSM 11.10	Digital cellular telecommunications system (Phase 2) ; Mobile Station (MS) conformance specification ; Part 1: Conformance specification
[10]	3GPP TS 51.010-1	Digital cellular telecommunications system (Release 5); Mobile Station (MS) conformance specification
[11]	3GPP TS 34.124	Electromagnetic Compatibility (EMC) for mobile terminals and ancillary equipment.
[12]	3GPP TS 34.121	Electromagnetic Compatibility (EMC) for mobile terminals and ancillary equipment.
[13]	3GPP TS 34.123-1	Technical Specification Group Radio Access Network; Terminal conformance specification; Radio transmission and reception (FDD)
[14]	3GPP TS 34.123-3	User Equipment (UE) conformance specification; Part 3: Abstract Test Suites.
[15]	EN 301 908-02 V2.2.1	Electromagnetic compatibility and Radio spectrum Matters (ERM); Base Stations (BS) and User Equipment (UE) for IMT-2000. Third Generation cellular networks; Part 2: Harmonized EN for IMT-2000, CDMA Direct Spread (UTRA FDD) (UE) covering essential requirements of article 3.2 of the R&TTE Directive
[16]	EN 301 489-24 V1.2.1	Electromagnetic compatibility and Radio Spectrum Matters (ERM); Electromagnetic Compatibility (EMC) standard for radio equipment and services; Part 24: Specific conditions for IMT-2000 CDMA Direct Spread (UTRA) for Mobile and

		portable (UE) radio and ancillary equipment
[17]	IEC/EN60950-1(2001)	Safety of information technology equipment (2000)
[18]	3GPP TS 51.010-1	Digital cellular telecommunications system (Release 5); Mobile Station (MS) conformance specification
[19]	GCF-CC V3.23.1	Global Certification Forum - Certification Criteria
[20]	2002/95/EC	Directive of the European Parliament and of the Council of 27 January 2003 on the restriction of the use of certain hazardous substances in electrical and electronic equipment (RoHS)
[21]	Module secondary-SMT-UGD-V1.xx	Module secondary SMT Guidelines
[22]	SIM7X00 Series_UART_Application Note_V1.xx	This document describes how to use UART interface of SIMCom modules.
[23]	SIM7100_SIM7500_SIM7600 Series_USB AUDIO_Application Note_V1.xx	USB AUDIO Application Note
[24]	SIM7X00 Series_GPS_Application Note_V1.xx	GPS Application Note
[25]	Antenna design guidelines for diversity receiver system	Antenna design guidelines for diversity receiver system
[26]	SIM7100_SIM7500_SIM7600 _Sleep_Mode_Application Note_V1.xx	Sleep Mode Application Note

## D. Terms and Abbreviations







**Table 42: Terms and Abbreviations**

Abbreviation	Description
ADC	Analog-to-Digital Converter
ARP	Antenna Reference Point
BER	Bit Error Rate
BTS	Base Transceiver Station
CS	Coding Scheme
CSD	Circuit Switched Data
CTS	Clear to Send
DAC	Digital-to-Analog Converter
DRX	Discontinuous Reception
DSP	Digital Signal Processor
DTE	Data Terminal Equipment (typically computer, terminal, printer)
DTR	Data Terminal Ready
DTX	Discontinuous Transmission
EFR	Enhanced Full Rate
EGSM	Enhanced GSM
EMC	Electromagnetic Compatibility
ESD	Electrostatic Discharge
ETS	European Telecommunication Standard
EVDO	Evolution Data Only
FCC	Federal Communications Commission (U.S.)
FD	SIM fix dialing phonebook
FDMA	Frequency Division Multiple Access
FR	Full Rate
GMSK	Gaussian Minimum Shift Keying
GNSS	Global Navigation Satellite System
GPRS	General Packet Radio Service
GPS	Global Positioning System
GSM	Global Standard for Mobile Communications
HR	Half Rate
HSPA	High Speed Packet Access
I2C	Inter-Integrated Circuit
IMEI	International Mobile Equipment Identity
LTE	Long Term Evolution
MO	Mobile Originated
MS	Mobile Station (GSM engine), also referred to as TE
MT	Mobile Terminated
NMEA	National Marine Electronics Association
PAP	Password Authentication Protocol
PBCCH	Packet Switched Broadcast Control Channel
PCB	Printed Circuit Board
PCS	Personal Communication System, also referred to as GSM 1900

RF	Radio Frequency
RMS	Root Mean Square (value)
RTC	Real Time Clock
SIM	Subscriber Identification Module
SMS	Short Message Service
SPI	serial peripheral interface
SMPS	Switched-mode power supply
TDMA	Time Division Multiple Access
TE	Terminal Equipment, also referred to as DTE
TX	Transmit Direction
UART	Universal Asynchronous Receiver & Transmitter
VSWR	Voltage Standing Wave Ratio
SM	SIM phonebook
NC	Not connect
EDGE	Enhanced data rates for GSM evolution
HSDPA	High Speed Downlink Packet Access
HSUPA	High Speed Uplink Packet Access
ZIF	Zero intermediate frequency
WCDMA	Wideband Code Division Multiple Access
VCTCXO	Voltage control temperature-compensated crystal oscillator
USIM	Universal subscriber identity module
UMTS	Universal mobile telecommunications system
UART	Universal asynchronous receiver transmitter

## E. Safety Caution

**Table 43: Safety Caution**

Marks	Requirements
	When in a hospital or other health care facility, observe the restrictions about the use of mobiles. Switch the cellular terminal or mobile off, medical equipment may be sensitive and not operate normally due to RF energy interference.
	Switch off the cellular terminal or mobile before boarding an aircraft. Make sure it is switched off. The operation of wireless appliances in an aircraft is forbidden to prevent interference with communication systems. Forgetting to think much of these instructions may impact the flight safety, or offend local legal action, or both.
	Do not operate the cellular terminal or mobile in the presence of flammable gases or fumes. Switch off the cellular terminal when you are near petrol stations, fuel depots, chemical plants or where blasting operations are in progress. Operation of any electrical equipment in potentially explosive atmospheres can constitute a safety hazard.
	Your cellular terminal or mobile receives and transmits radio frequency energy while switched on. RF interference can occur if it is used close to TV sets, radios, computers or other electric equipment.
	Road safety comes first! Do not use a hand-held cellular terminal or mobile when driving a vehicle, unless it is securely mounted in a holder for hands free operation. Before making a call with a hand-held terminal or mobile, park the vehicle.
	<p>GSM cellular terminals or mobiles operate over radio frequency signals and cellular networks and cannot be guaranteed to connect in all conditions, especially with a mobile fee or an invalid SIM card. While you are in this condition and need emergent help, please remember to use emergency calls. In order to make or receive calls, the cellular terminal or mobile must be switched on and in a service area with adequate cellular signal strength.</p> <p>Some networks do not allow for emergency call if certain network services or phone features are in use (e.g. lock functions, fixed dialing etc.). You may have to deactivate those features before you can make an emergency call.</p> <p>Also, some networks require that a valid SIM card be properly inserted in the cellular terminal or mobile.</p>

### Contact us:

#### Shanghai SIMCom Wireless Solutions Ltd.

Add: SIM Technology Building B, No.633, Jinzhong Road, Changning District, Shanghai P.R. China 200335

Tel: +86 21 3157 5200\3157 5100

Email: [simcom@simcom.com](mailto:simcom@simcom.com)

URL: [www.simcom.com](http://www.simcom.com)