

Specification for Approval

Customer: Nomad Goods, Inc.

Customer Part N/A
No.

Supplier: Fuda Semiconductor (Hefei) Co., Ltd

Spec description: N/A

Supplier Part No.: J-FDIMPP

Date: 2023/6/1

Version: A.0

Draw: _____

Supplier Approve		Customer Approve
EE Confirm by	PE Confirm by	Sophia Dentzel
Lucy Li	Jack Wang	
QE Confirm by	Approval by	
Ken Yang	Qiwei	

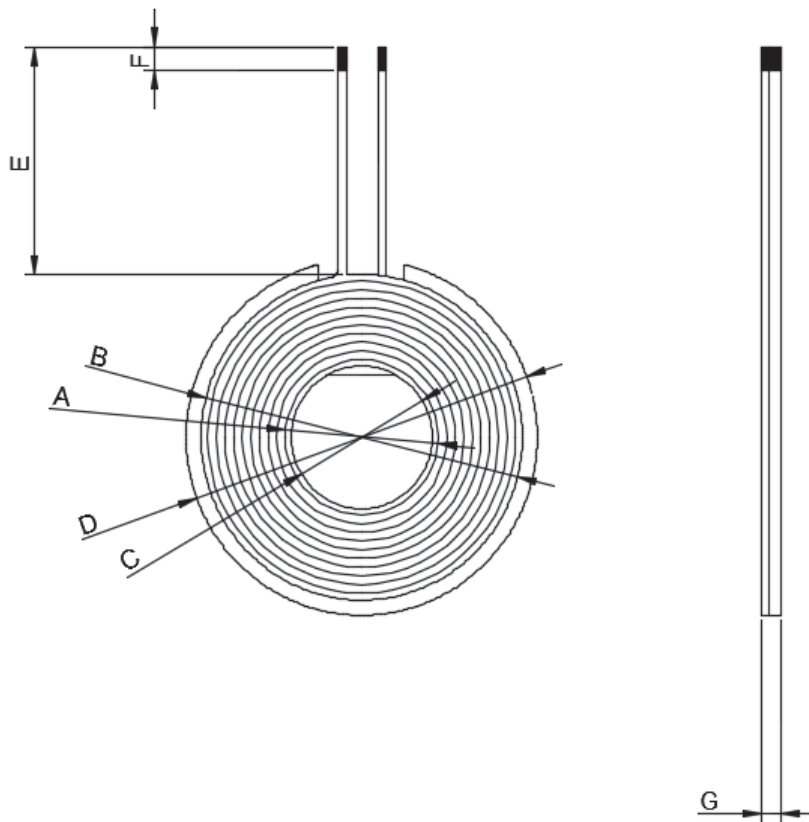
Version Change History

Revision	Before change	After change	Date	Approval by
A.0	—	(Initial Release)	2023/6/1	

1. Manufacturer information

Items	Manufacturer name	Approval
The first resource	Fuda Semiconductor (Hefei) Co., Ltd	Sophia Dentzel

2. Dimension specification



(Unit):(mm)

A	B	C	D	E	F	G
20.5±0.5	39±1	19.5±0.3	42.5±0.5	8±1	4±1.5	2.05±0.1

Note:

- Do not apply high-temperature tape to the coil leads
- When the coil is attached to the magnetic separator, it should not be higher than the edge of the magnetic separator

3. Schematic diagram



4. Electronic character

TEMPERATURE:25±10°C, RELATIVE HUMIDITY :65±20%

TIEM	SPECIFICATION	TEST FREQUENCY	TEST EQUIPMENTS
IND	8.4UH±10%	100 KHZ/1.0V	LCRMETRTH2830N
DCR	50mΩ Max	\	PH2511S
Q	100±10%	100 KHZ/1.0V	LCRMETRTH2830N

5. Coil specification

Turns	Wire Dia.	Wdg. Type Spred/Close	Wdg.Direction	Intersect Yes/Not	Coil Positive/ Anti Paste
11T S	0.08*80P (Silk-Covered Wire)	(Close)	(Anticlockwise)	(Yes)	(Anti-/Paste)

6. Bill of materials

number	Material name	Description	Material Code
1	wire rod	0.08*80P	
2	Hard magnetic disk	G42.5*19.5*2.0H (Crown shaped magnetic disc with convex boss and groove)	
3	Adhesive	JS-E103(Thickened) White glue	
4			
5			
6			
7			