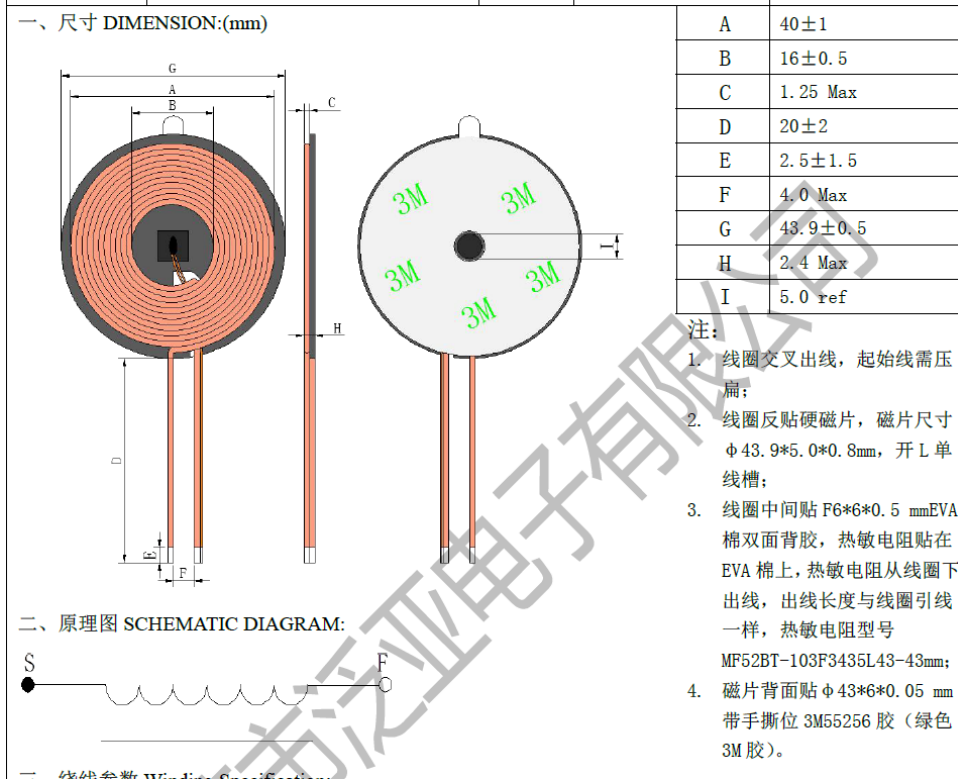
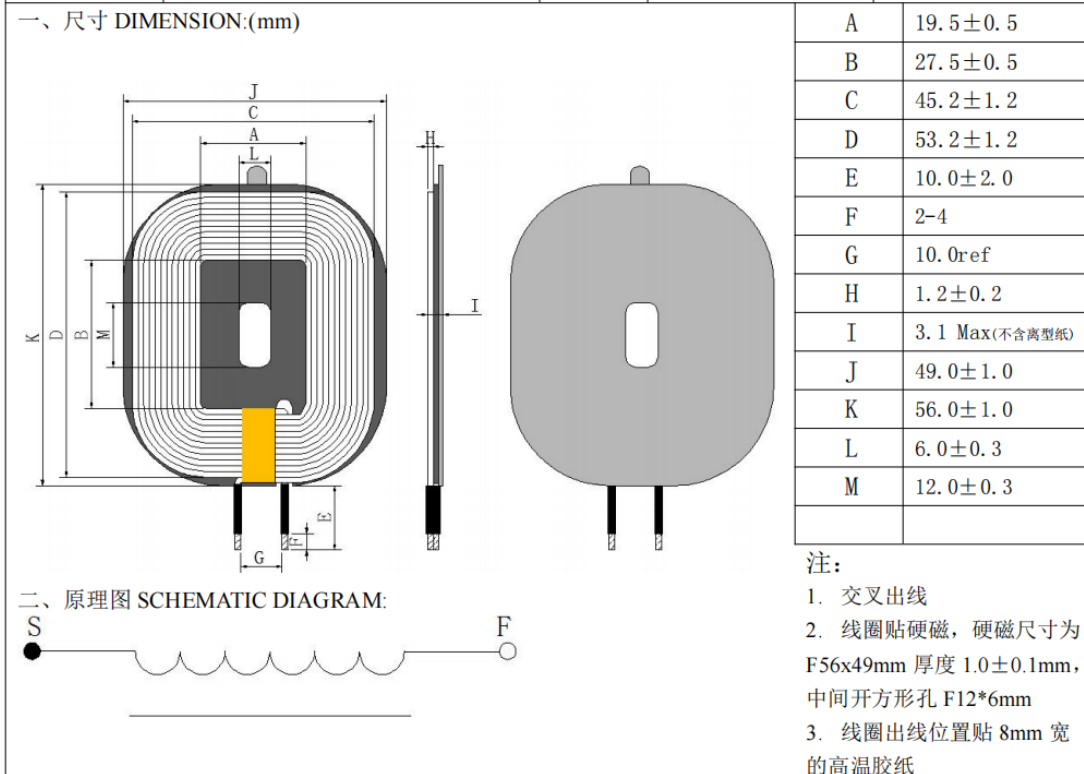


Type / model:AC310



产品型号: DESC	F19.5x27.5-12TS-0.08x105-10mm-F	版本 Rev: A.0	客户 CUST:	060
			泛亚料号 FINE P/N:	
			客户料号 CUST P/N:	



Manufacturer:Zhongshan Zen Factory Ltd.

Address:6th.Industrial Area, Nanlang Town, Zhongshan City, Guangdong, China