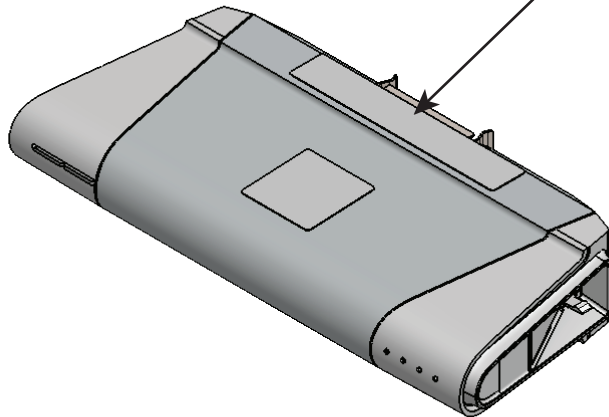
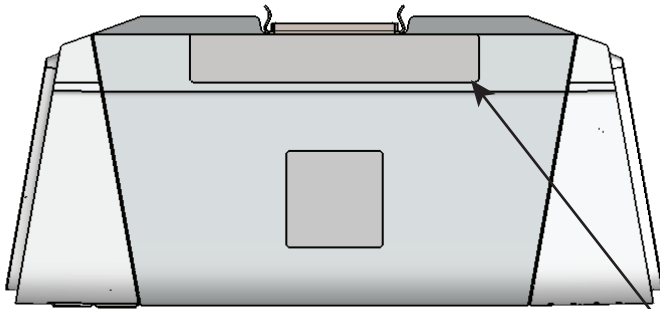


# Product Label Artwork & Placement



## KINESTRAL TECHNOLOGIES, INC.

**TITLE:** Label, Product, DR200 Tint Driver  
**PART NUMBER:** 210-00011  
**REVISION:** 8

**NOTES:**  
1. **SIZE:** 3" wide x .5" high with  
2. **MATERIAL:** Permanent, UL-Recognized, Polyester Label Stock  
3. **COLOR:** White  
4. **PRINT COLOR:** Black