

## Inverted F Antenna Specification

Summary						
ITEM	ANT SPEC					
Model Name	2.4G ANT					
Center Frequency		Horizontal			Vertical	
	2400MHz	2400MHz	2500MHz	2400MHz	2400MHz	2500MHz
	-1.26	-0.76	-0.58	-5.25	-2.46	-1.86
MAX. Gain	-0.58dBi					
Polarization	Horizontal and Vertical					
Azimuth Beam	Omni-directional					
Pattern						
Impedance	50 Ohm					
Antenna Length	38.20mm					

Manufacture

ZHUHAI JIELI TECHNOLOGY CO.,LTD

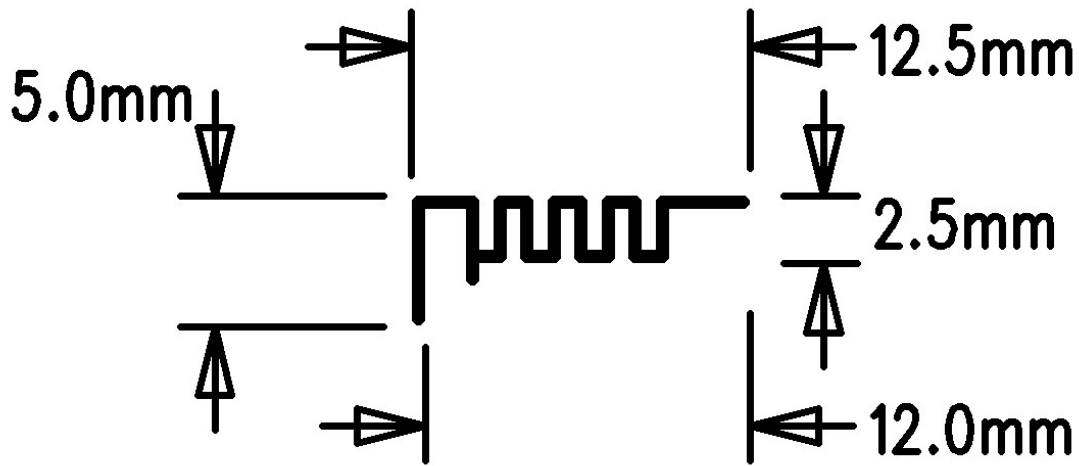


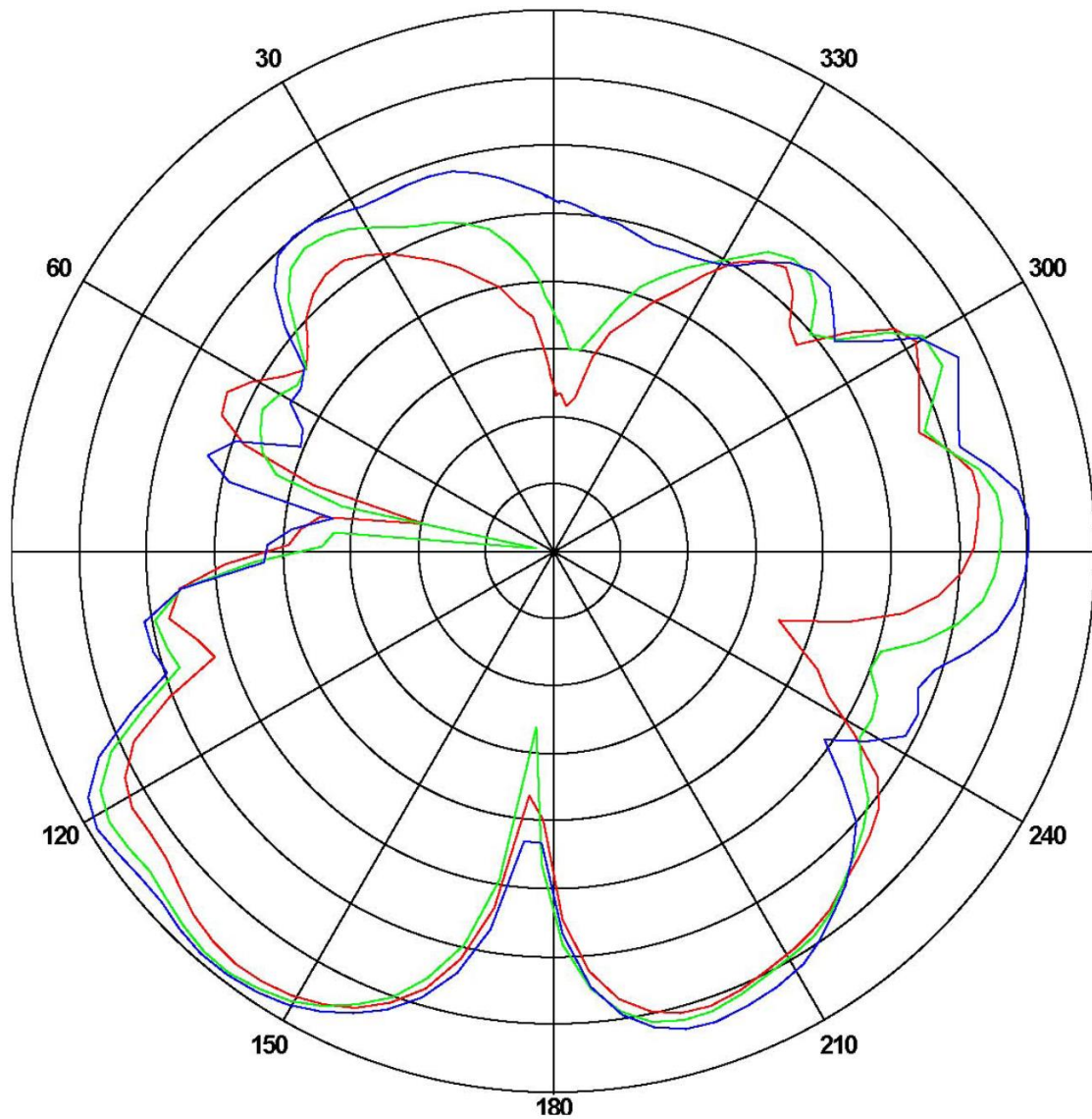
Photo & Length (mm)

Antenna

Horizontal: 2400 MHz 2450 MHz 2500 MHz

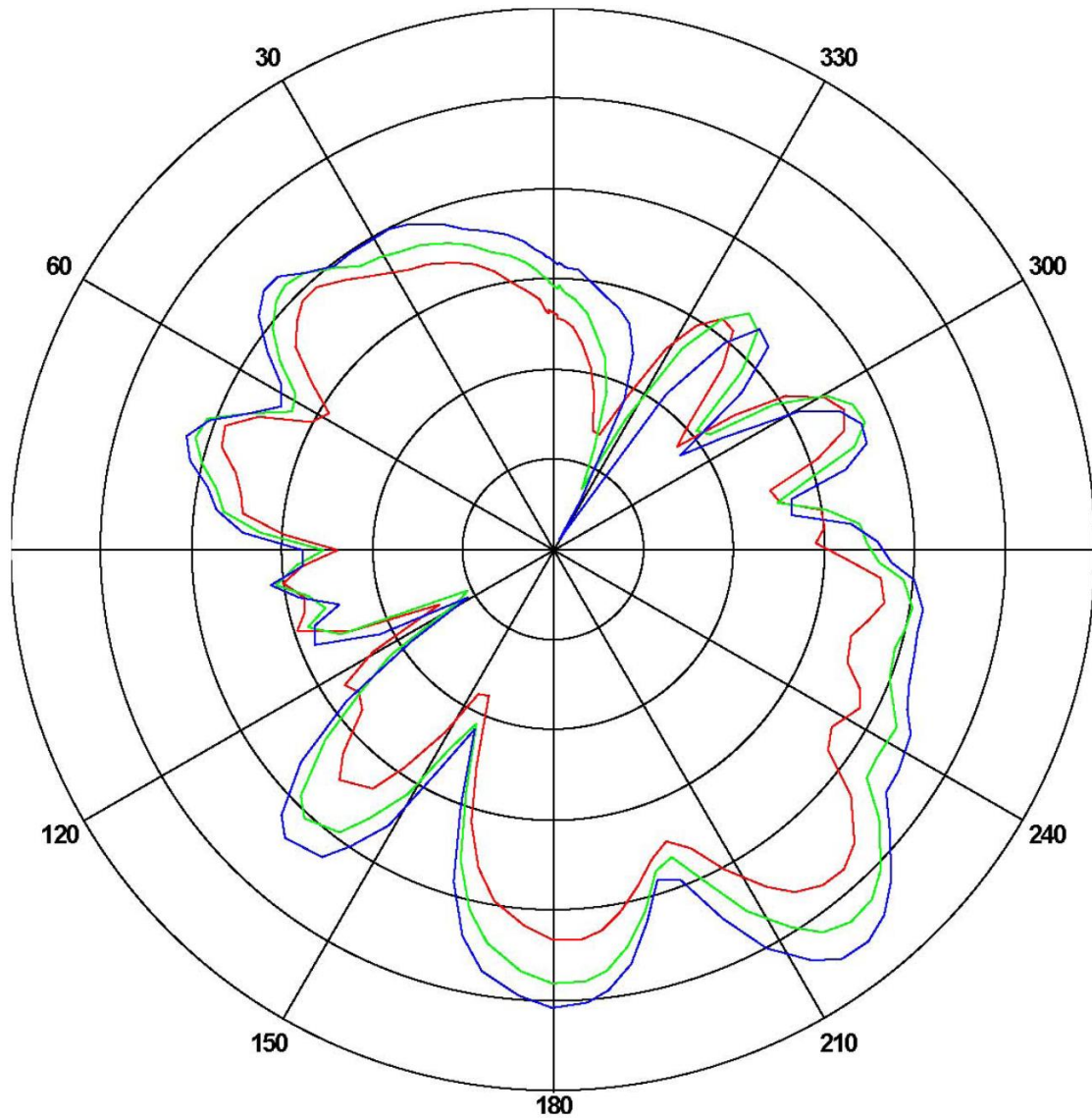
Power (dBm)

Max: 0 Min: -40 Scale: 5/div



Frequency (MHz)	Gain(dBi)		
	Max	Min	Avg
2400	-1.26174	-30.0801	-7.18716
2450	-0.765802	-36.5604	-7.48023
2500	-0.585582	-22.0315	-6.59127

Vertical: 2400 MHz 2450 MHz 2500 MHz  
 Power (dBm)  
 Max: 0 Min: -30 Scale: 5/div



Frequency (MHz)	Gain(dBi)		
	Max	Min	Avg
2400	-5.2537	-22.1424	-12.4294
2450	-2.4652	-24.5837	-10.4702
2500	-1.86120	-29.5214	-9.20432

ANT Test Labs: Attestation of Global Compliance Co., Ltd.