

深圳市华讯视通科技有限公司

Shenzhen Huaxunshitong Technology Co., Ltd.

天线规格书

Antenna Specifications

客户名称: 东莞锦利电子科技有限公司

Client: Simple Art International Co., Ltd.

项目名称 project name	CA12	天线频段 Antenna frequency band	BT
规格描述 Specification Description	<input type="checkbox"/> 支架+弹片 Bracket + Shrapnel	<input type="checkbox"/> 单弹片 Single Shrapnel	<input checked="" type="checkbox"/> 蓝牙导线 Bluetooth Cable
	<input type="checkbox"/> FPC	<input type="checkbox"/> FM 天线 FM Antenna	<input type="checkbox"/> GPS 天线 GPS Antenna
	<input type="checkbox"/> 同轴线 Coaxial Line	<input type="checkbox"/> WIFI 天线(WIFI Antenna): <input type="checkbox"/> FPC+线材(FPC+ Wire Material): <input type="checkbox"/> PCB+线长(PCB+ Wire length):	
客户确认 Client Confirmation			

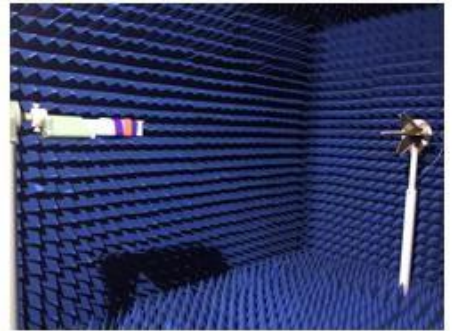
供应商确认 Supplier Confirmation	射频确认 RF Confirmation	结构确认 Structure Confirmation	审核 Verify
联系人 Contact	王鹏超	手机 Mobil Number	13480925226
电话 Phone Number	0755-23705212	传真 Fax	0755-23705213
邮箱 Email	szhuaxunshitong@126.com		

地址: 深圳市宝安区航城街道黄田大门路1号鸿丰华互联网创意园3楼3005

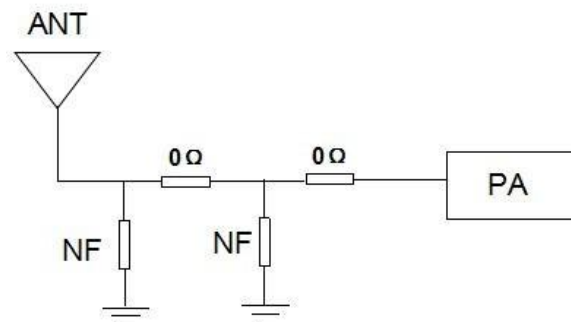
Address: Room 3005, 3rd Floor, Hongfenghua Internet Creative Park, No. 1 Huangtiandamen Road, Hangcheng Street, Baoan District, Shenzhen

1.测试项目与设备 (Test items and equipment)

	测试项目 Test Items	设备 Equipment
1. S 参数 (S-parameter)	1. 回波损耗 (Return Loss) 2. 电压驻波比 (VSWR)	网络分析仪(Network Analyzer): Agilent E5071B HP 8753D
2. 有源测试 (Active)	1. 发射功率 (TRP) 2. 接收灵敏度 (TIS)	1. 暗室(darkroom): ETS 7x4x3 m (3D) Chamber ETS 5x3x3 m (3D) Chamber 2.综合测试仪(Tester): Agilent 8960 E5515B ×2 StarPoint SP6011
3. 无源测试 (Passive)	1. 天线增益 (Antenna Gain) 2. 天线效率 (Antenna Efficiency)	1. 暗室((darkroom): ETS 7x4x3 m (3D) Chamber ETS 5x3x3 m (3D) Chamber 2. 网络分析仪(Network Analyzer): Agilent E5071B HP 8753D



2. 匹配电路-BT 天线(Matching Circuit - BT Antenna):



我司未对匹配电路做任何修改

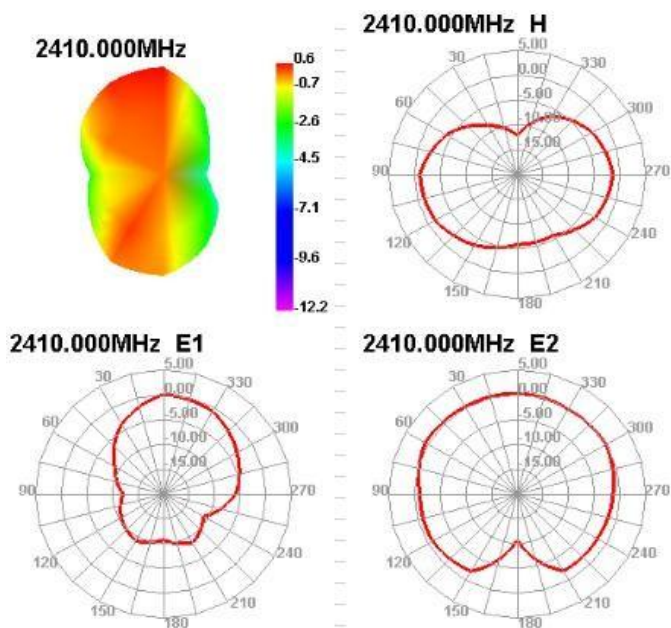
(Our company has not made any modification to the matching circuit)

3 天线装配图 (Antenna Assembly Drawing)



4 BT 天线增益 (BT Antenna Gain)

Passive Test For WIFI2.4										
Freq (MHz)	Effi (%)	Effi (dBi)	Gain (dBi)	Gain (dBd)	UHS (%)	DHIS (%)	Max (dB)	Min (dB)	Attenut Hor	Attenut Ver
2400	54.18	-2.66	0.78	-1.37	33.764	20.42	0.78	-12.85	52.03	53.99
2410	50.32	-2.98	0.63	-1.52	31.242	19.074	0.63	-12.18	51.99	53.84
2420	45.19	-3.45	0.22	-1.93	28.056	17.136	0.22	-11.92	52.04	53.98
2430	46.29	-3.35	0.15	-2	28.37	17.919	0.15	-12.14	52.23	54.02
2440	50.34	-2.98	0.79	-1.36	30.629	19.708	0.79	-11.94	52.54	54.25
2450	46.55	-3.32	0.42	-1.73	28.409	18.142	0.42	-12.27	52.64	54.11
2460	45.61	-3.41	0.34	-1.81	27.523	18.084	0.34	-11.46	52.59	54.02
2470	46.74	-3.3	0.51	-1.64	28.255	18.489	0.51	-11.54	52.66	54.04
2480	49.63	-3.04	1.01	-1.14	30.102	19.524	1.01	-12.38	53.06	54.43
2490	51.42	-2.89	0.99	-1.16	31.49	19.931	0.99	-14.8	53.33	54.57
2500	47.42	-3.24	0.5	-1.65	29.123	18.293	0.5	-17.82	53.11	54.29



5.BT 天线实测效果 (BT antenna measured effect)

测试环境: 开阔室外

Test Environment: Outdoor

测试手机: 安卓

Test phone: Android

距离测试: 手机与手环连接, 手机固定在高 1.4M 的支架上, 正确佩戴手环, 逐渐远离手机。

Distance test: Connect the mobile phone to the wristband. Fix the mobile phone on a stand with a height of 1.4M and wear the wristband correctly and gradually move away from the mobile phone.

1 控制手机切换: 17 米以上

1 Control Mobile Phone Switching: More than 17 meters

6.结构图纸

