

OUTER BOX

ACTIVE 3

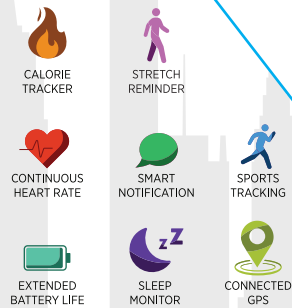
SMART FEATURES
Incoming Call Alert
Receive Texts

APP POWERED FEATURES
Weather
Music & Camera Remote

Scan the QR code to learn more about these and other features



DESIGNED IN
NEW YORK



ITECH

ACTIVE 3

SMARTWATCH
ANDROID™ & iOS COMPATIBLE



DOWNLOAD THE ITECH WEARABLES APP
TO PAIR WITH YOUR PHONE



120 mm

65 mm

This device complies with Part 15 of the FCC Rules. Operation is subject to the following two conditions: (1) this device may not cause harmful interference, and (2) this device must accept any interference received, including interference that may cause undesired operation.

Compatible with smartphones operating Google supported Android and Apple supported iOS. iPhone is a trademark of Apple Inc. registered in the U.S. and other countries. Android is a trademark of Google Inc. The Bluetooth wordmark and logos are registered trademarks owned by Bluetooth SIG Inc. Any such use by American Exchange Time LLC is under license.

** Battery life varies with usage and other factors.

* This is not a medical device. This device and its related software are not intended for use in the diagnosis of a disease or other conditions, or in the cure, mitigation, treatment or prevention of disease.



FCC ID: 2AJXA-IA3

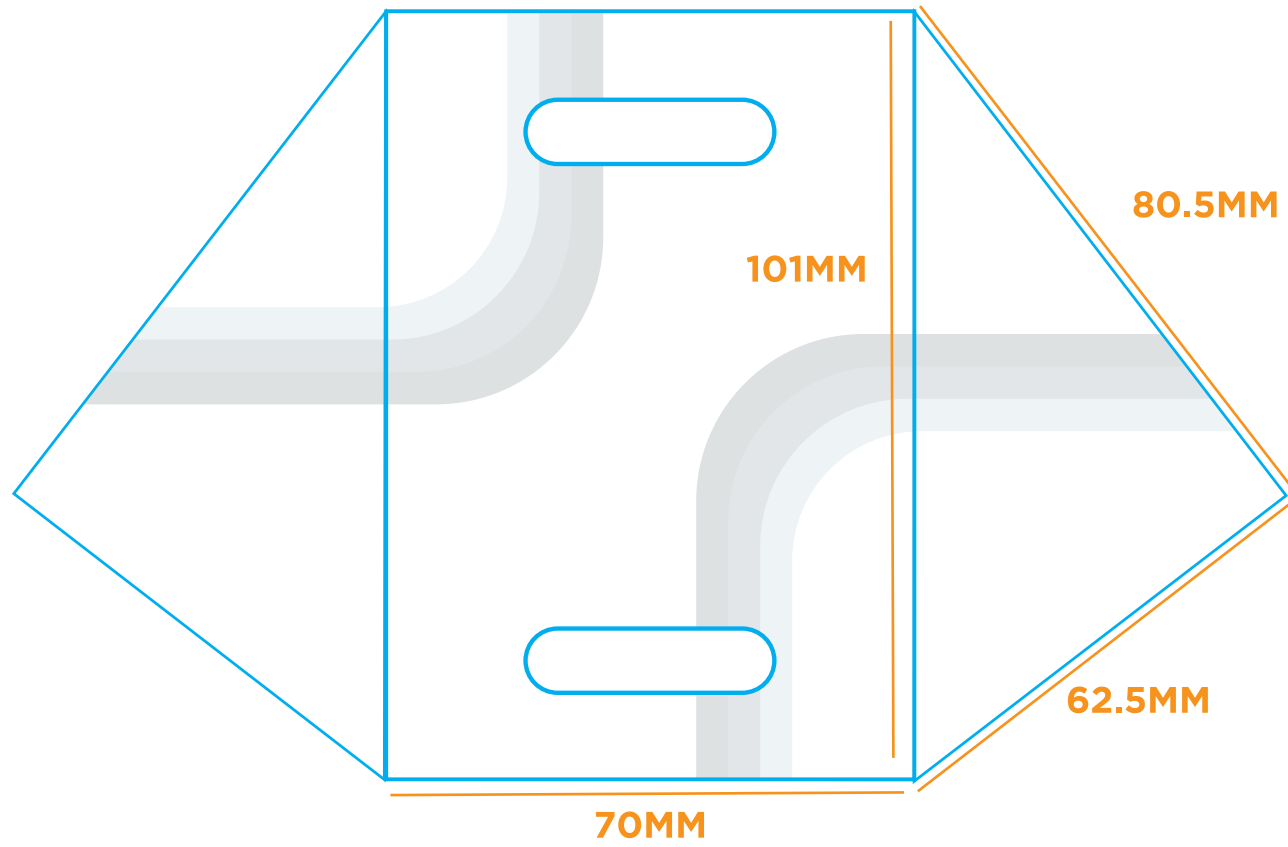


Made in China

65 mm

70 mm

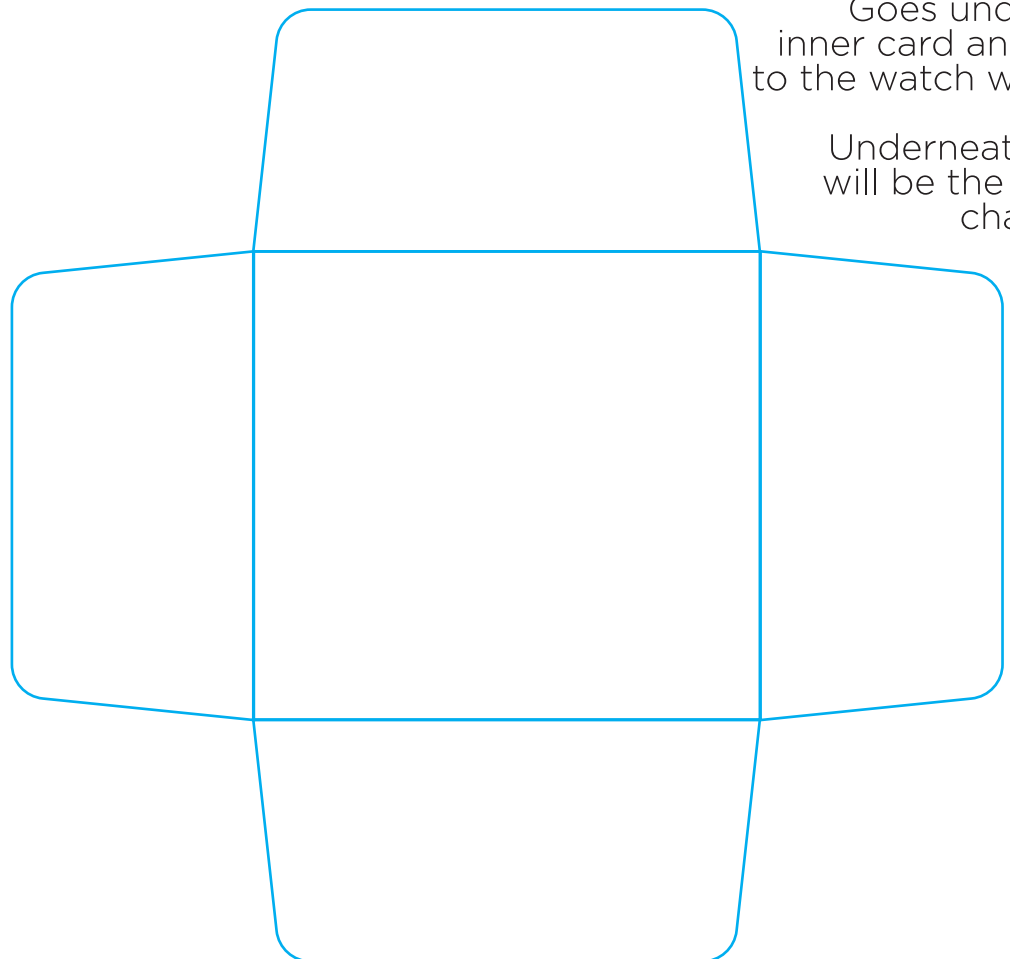
INNER CARD



INNER CARD INSERT

Goes underneath the inner card and is secured to the watch with a zip tie.

Underneath this insert will be the manual and charging cable



TRANSPARENT ACETATE COVER

