

**1.0 The SA04850 is a Qi module that is post-assembled with power input wires and LED indicators. This post-assembly is then placed into a holder for each host housing.**

**1.1 Host Housings and associated post-assemblies include:**

- 1.1.1 Burele (SA06164)
- 1.1.2 Dean (SA06164)
- 1.1.3 Grommet (SA05887)
- 1.1.4 HQ/HQ2 (SA05460)

**1.2 Host Housings meet WPC 1.2 requirements for transmitter to receiver antenna spacing and alignment, so no other adjustments are necessary for proper operation once the post-assembly is placed into its host holder.**

**2.0 The SA04850 must be wired to compatible power supply. The power supply must be able to provide:**

**Input voltage:** 4.75V<sub>DC</sub> to 5.50V<sub>DC</sub>

**Input Current:** 2.0A<sub>MAX</sub>, **Inrush Current:** 2.5A<sub>MAX</sub>

**3.0 The SA04850 provides up to 5W of power to a Qi wireless power receiver. It transmits power in the 110KHz to 205KHz range. Output power field strength is 84.53 dB(uV/m).**

**4.0 Compliance Statement (Part 15.19)**

**4.1** This device complies with Part 15 of the FCC Rules. Operation is subject to the following two conditions:

- 1. This device may not cause harmful interference, and
- 2. This device must accept any interference received, including interference that may cause undesired operation.

**5.0 Warning (Part 15.21)**

**5.1** Changes or modifications not expressly approved by the party responsible for compliance could void the user's authority to operate the equipment.

**6.0 Show compliance with the FCC Interference Statement (Part 15.105 (b))**

**6.1** The statement should be on label on end product, or if it will not be able to be seen by the end user, then it must appear in the user manual. Include FCC-ID and IC-ID on label.

FCC ID 2AJX5-SA04850      IC ID 22009-SA04850

*This equipment has been tested and found to comply with the limits for a Class B digital device, pursuant to Part 15 of the FCC Rules. These limits are designed to provide reasonable protection against harmful interference in a residential installation. This equipment generates uses and can radiate radio frequency energy and, if not installed and used in accordance with the instructions, may cause harmful interference to radio communications.*

*However, there is no guarantee that interference will not occur in a particular installation. If this equipment does cause harmful interference to radio or television reception, which can be determined by turning the equipment off and on, the user is encouraged to try to correct the interference by one of the following measures:*

- Reorient or relocate the receiving antenna.
- Increase the separation between the equipment and receiver.
- Connect the equipment into an outlet on a circuit different from that to which the receiver is connected.
- Consult the dealer or an experienced radio/TV technician for help

## 7.0 Show compliance with Section 8.4 of RSS-GEN

The statement should be on label on end product, or if it will not be able to be seen by the end user, then it must appear in the user manual.

*This device complies with Industry Canada's license-exempt RSSs. Operation is subject to the following two conditions:*

- (1) This device may not cause interference; and*
- (2) This device must accept any interference, including interference that may cause undesired operation of the device.*

*L'émetteur/récepteur exempt de licence contenu dans le présent appareil est conforme aux CNR d'Innovation, Sciences et Développement économique Canada applicables aux appareils radio exempts de licence. L'exploitation est autorisée aux deux conditions suivantes :*

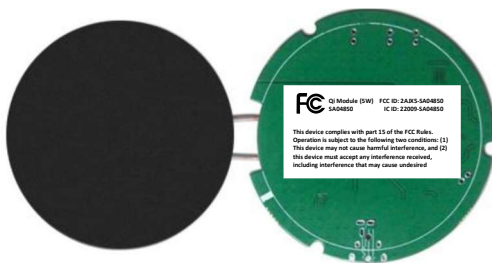
- 1) L'appareil ne doit pas produire de brouillage;*
- 2) L'appareil doit accepter tout brouillage radioélectrique subi, même si le brouillage est susceptible d'en compromettre le fonctionnement.*

## 8.0 Labelling

**8.1 Show compliance with the FCC §15.212(a)(1)(vi)(A) requirement.** If the FCC identification number is not visible when the module is installed inside another device, then the outside of the device into which the module is installed must also display a label referring to the enclosed module. This exterior label can use wording such as the following: "Contains Transmitter Module FCC ID: 2AJX5-SA04850 or Contains FCC ID: 2AJX5-SA04850."

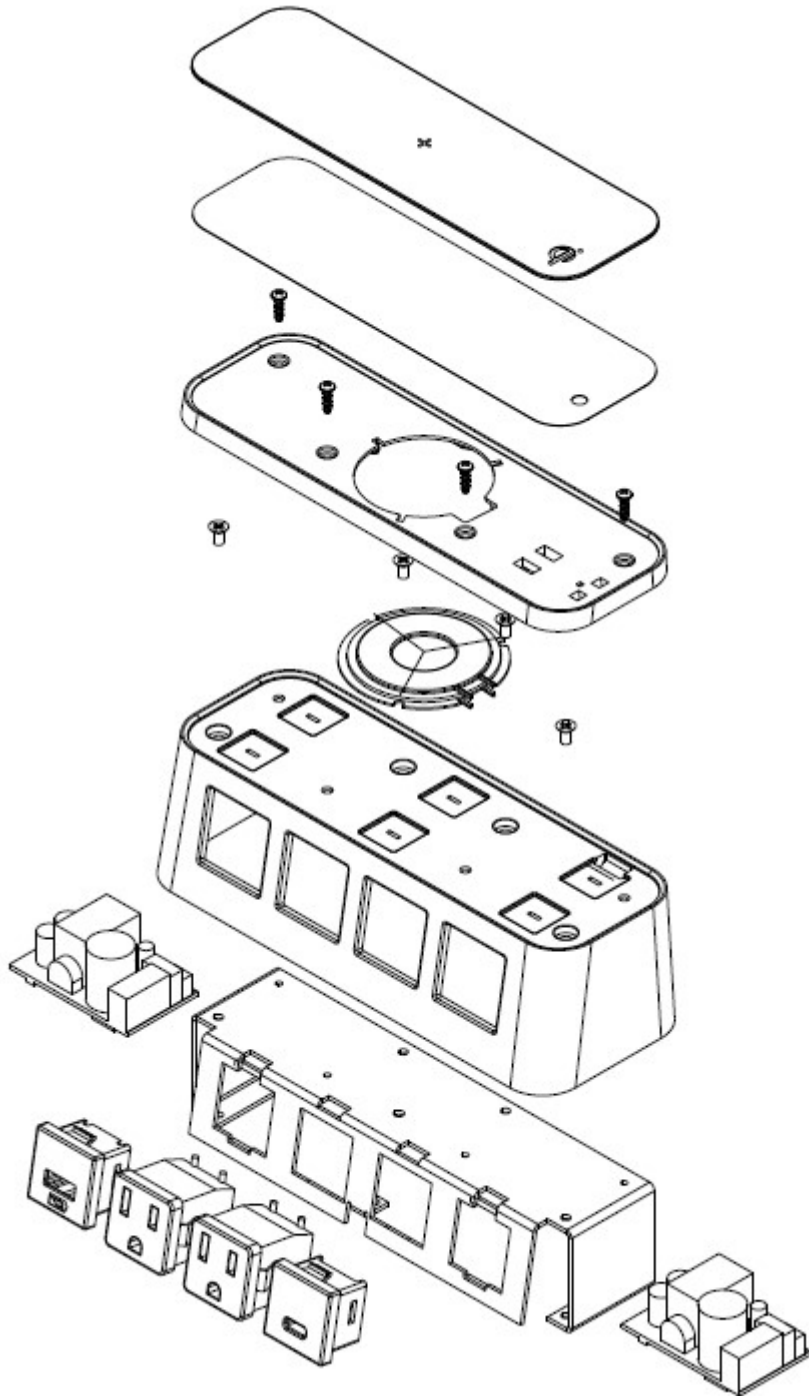
**8.2 Show compliance with ISED RP-100 Issue 11, Section 3.2.** If the ISED identification number is not visible when the module is installed inside another device, then the outside of the device into which the module is installed must also display a label referring to the enclosed module. This exterior label can use wording such as the following: "Contains Transmitter Module ISED ID: 22009-SA04850 or Contains ISED ID: 22009-SA04850"

**8.3** The modular transmitter is equipped with a permanently affixed label at the time of manufacture. See image for label location.

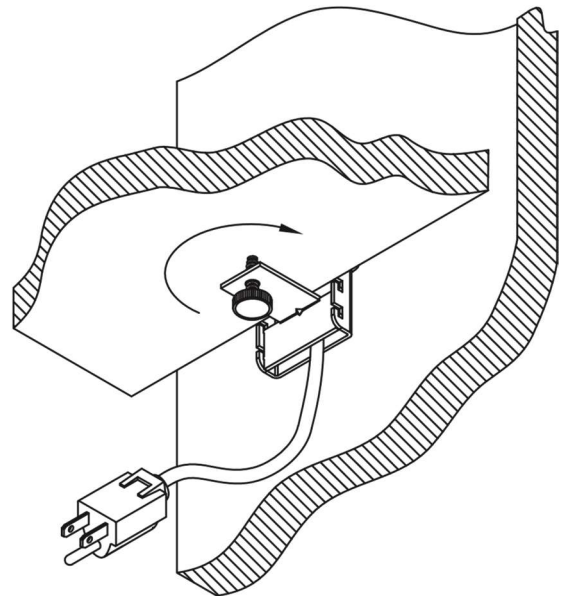
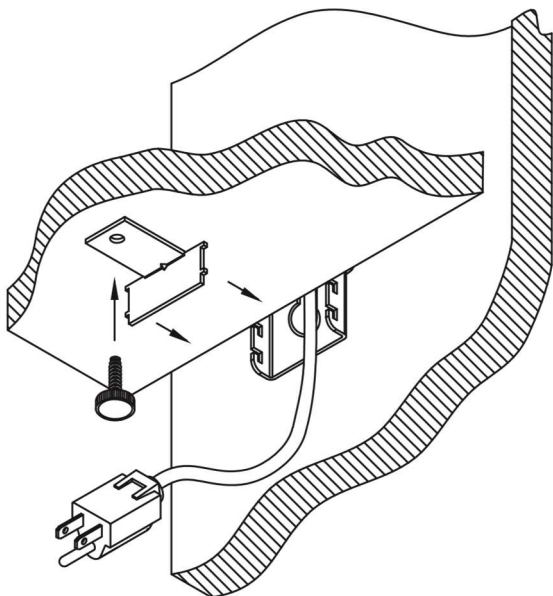
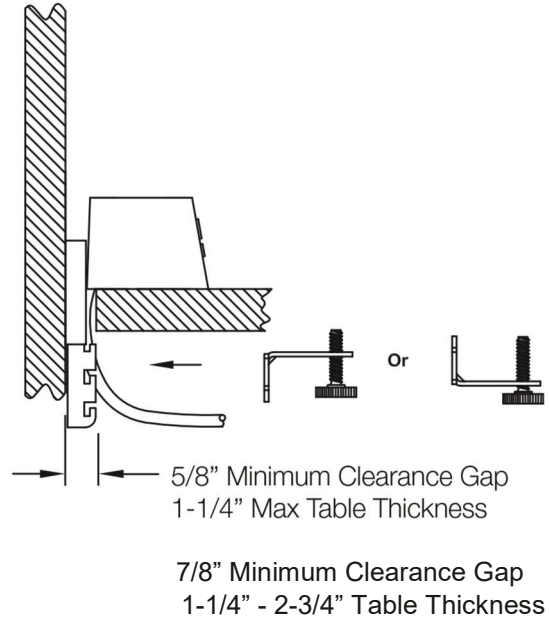
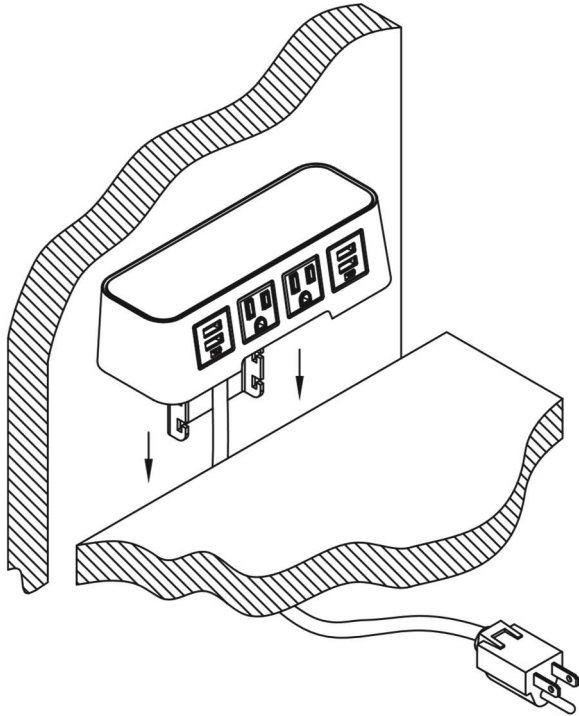


Bottom View

**9.0 Assembly Diagram – for Burele (SA06164)**



10.0 Mounting Diagram



**11.0 Revision History**

Rev	Description of change	Date	Revised by (initials)	Reviewed by (initials)
01	Initial release.	8/17/18	RCK	

**End**