

Instruction Manual

TOKK™ HANDS-FREE
SMART SPEAKER



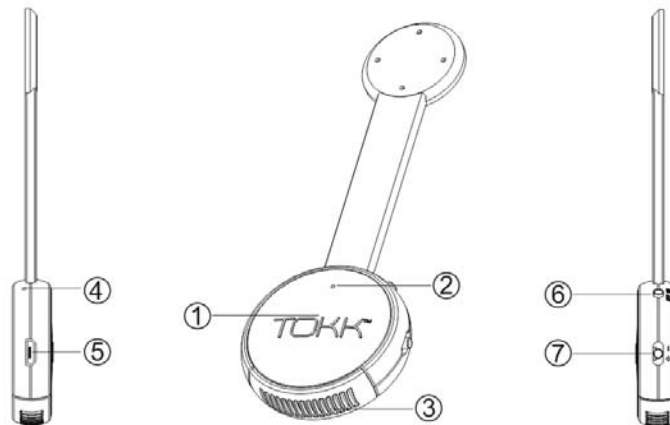
Main Features

- Fashion Magnetically Attaches
- Voice Control
- Voice Dialing through Siri
- Active Noise Cancellation
- Single MIC, Bluetooth Hands Free
- Bluetooth Selfie
- Rechargeable Li Battery

Specifications

- (Rated power) PO=2W
- (Frequency Response) 180HZ-16KHZ
- (Distortion factor) THD<1%
- (Signal-to-noise ratio) S/N≥90DB
- (Separation) ≥55dB
- (Speaker) 23mm;4 Ω 2W
- (Playing time) 150-180mins

Easy operation



1. Multi Function: Play/Pause/Answer/Siri
2. LED indicator
3. Speaker
4. MIC
5. Charging Port
6. ON/OFF
7. Volume +/- (Selfie)

Power On/Off Button ⑥

- Switch ⑥ to turn On/Off.

Note:

- It is strongly recommended to turn off the speaker while not in use.
- When TOKK and phone disconnected over 10mins, TOKK will automatically power off in order to save power (but Button is “On” position), need to switch ⑥ to turn on again.

Play/Pause/Answer/SIRI ①

- Play/Pause: hold down for two seconds to pause music, and hold down for another two seconds to replay.
- Answer/Hang Up: single click to answer, single click again to end.
- SIRI: double click to active SIRI, single click to ESC SIRI.
- Redial: triple click redial the last outgoing number, press again to end call.

Volume “+/-”(Selfie function) ⑦

- Short slide “+” to increase the volume, slide & hold “+” to forward next song;
- Short slide “-” to decrease the volume, slide & hold “-” to backward previous song;
- Under camera mode, short slide “+,-” to active remote camera function.

LED Indicator ②

- Power on mode: purple LED light shows device is turn on.
- Search mode: blue LED light fast flashing indicates search to pair.
- Paired mode: blue LED light slowly flashing indicates successfully paired.
- Charging mode: red LED light fast flashing while device is charging mode.
- Fully charged: steady LED light when fully charged.
- Low battery: “BBB” sound continuously alarm three times at the last 20mins and 5mins, and at the same, red & blue LED light slowly flashing.

Precautions

- Please only use the computer USB or the DC 5V power matching the Micro USB interface to charge.
- Please keep and use in normal environments. Exposure to extreme elements such as fire, water, or other extreme elements may damage the unit. Do not handle with wet hands.
- Keep debris or other items from blocking the speakers or from entering any of the ports.
- Do not attempt to open or take apart this device. Device will be damaged during that process.

Trouble Shooting

No Sound

- Make sure that the music player is working and the device is charged.
- Make sure the Bluetooth is paired with the correct device.

Not charging

- Check to make sure that you are using the correct cable and that it is fully plugged into both the device and the USB port that you are charging from. Also check to make sure the PC or other USB charger is turned on.

FCC Statement

This equipment has been tested and found to comply with the limits for a Class B digital device, pursuant to part 15 of the FCC rules. These limits are designed to provide reasonable protection against harmful interference in a residential installation. This equipment generates, uses and can radiate radio frequency energy and, if not installed and used in accordance with the instructions, may cause harmful interference to radio communications. However, there is no guarantee that interference will not occur in a particular installation. If this equipment does cause harmful interference to radio or television reception, which can be determined by turning the equipment off and on, the user is encouraged to try to correct the interference by one or more of the following measures:

- Reorient or relocate the receiving antenna.
- Increase the separation between the equipment and receiver.
- Connect the equipment into an outlet on a circuit different from that to which the receiver is connected.
- Consult the dealer or an experienced radio/TV technician for help.

To assure continued compliance, any changes or modifications not expressly approved by the party.

Responsible for compliance could void the user's authority to operate this equipment. (Example- use only shielded interface cables when connecting to computer or peripheral devices).

This equipment complies with Part 15 of the FCC Rules. Operation is subject to the following two conditions:

- (1) This device may not cause harmful interference, and
- (2) This device must accept any interference received, including interference that may cause undesired operation.

RF warning statement:

The device has been evaluated to meet general RF exposure requirement. The device can be used in portable exposure condition without restriction.