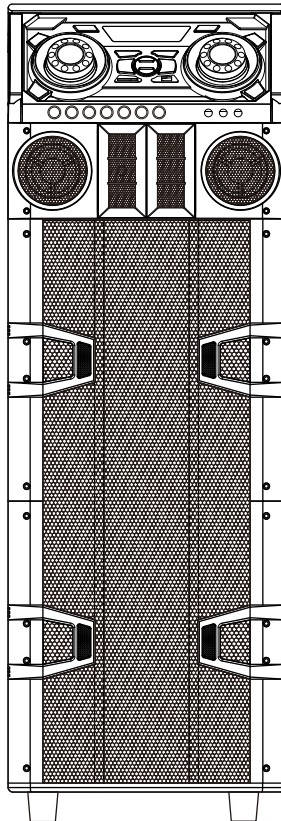




USER MANUAL
DB-RUMBLE



Multi Media Storage Inputs and Wireless Streaming Capabilities

Introduction:

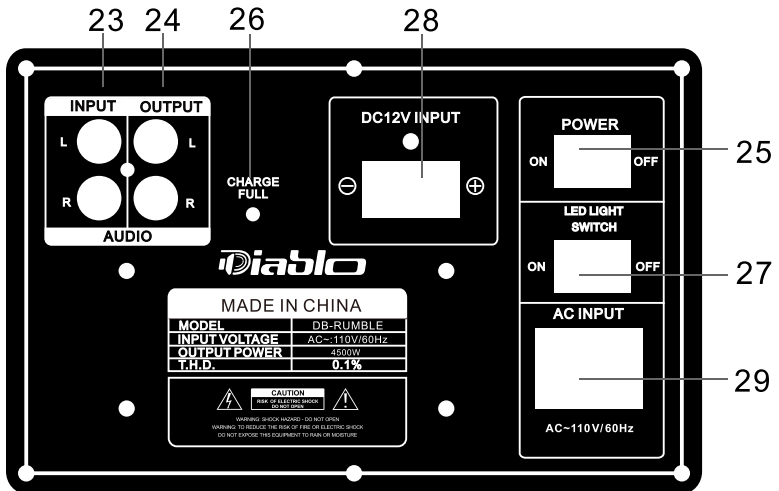
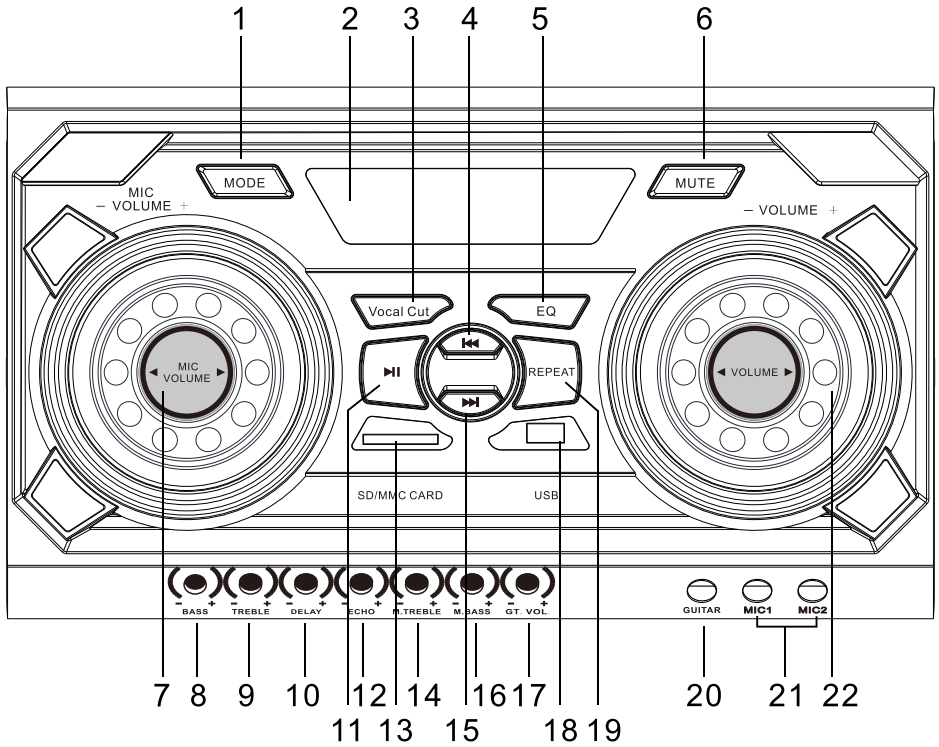
The **DB-RUMBLE** portable audio entertainment system with integrated LED accent lighting. The unit boasts an mp3 music player capable of playing audio files from Storage Inputs as Wireless Streaming connectivity for wireless music streaming and a rechargeable battery. Additionally, there are dual ¼" microphone inputs, a 1/4" guitar input, 1 pair of RCA Stereo Inputs and 1 pair of RCA Stereo Outputs for system expansion and integration. With a collapsible luggage style carrying handle and built in caster wheels, this unit makes the perfect mobile party machine with extreme capabilities. Sound quality is achieved by its dual 12" woofers and dual 2" bullet tweeters totaling **4500W** of musical power.

Features:

- Music Player with Storage Inputs inputs
- Wireless Streaming Connectivity
- Collapsible luggage style carrying handle with wheels
- FM Radio
- Wireless remote control
- Dual 12" Subwoofer, Dual 2" Bullet tweeters **4500W**
- Rechargeable Battery
- Guitar(musical instrument) inputs

Caution:

- Please read All Operating Instructions before using this product
- Avoid electrical shock, **DO NOT OPEN THIS UNIT, THERE ARE NO REPLACEABLE PARTS INSIDE.**
Please refer to your warranty information for service.
- Do not Expose this product to Moisture, Water, Rain or Snow. Keep away from direct heat sources. Damaged items will not be accepted for warranty
- Do not clean this unit with solvents or chemicals
- Insure that all volume and gain controls are set to "0" when connecting source units



Functions:

1. Mode selector: Press to change between different input modes
2. LED display: Displays input mode and basic track info.
3. Vocal Cut: Activate to cut sound when the MIC receives a signal or voice
4. Previous Track: Use to go back one track in MP3 or Storage Inputs mode
5. EQ: Use this to activate and scroll through the different EQ presets
6. Mute: Use to mute all sound
7. MIC Volume: Use this to adjust the Microphone volume separately from the Master volume
8. Bass Control: This controls the overall bass level of the master audio signal.
9. Treble Control: This controls the overall treble level of the master audio signal.
10. Delay: Adds a Delayed sound effect to MIC and Guitar inputs
11. Play/Pause: Press to begin a track or to pause it
12. MIC Echo Volume: This controls the amount of echo effect produced by the speaker
13. Storage Inputs: 4gb MAX volume read, can only read MP3 files
14. MIC treble: adjust the amount of treble on the MIC inputs
15. Previous Track: Press to go back one track in MP3 or Wireless Streaming Mode
16. MIC Bass : adjust the amount of bass on the MIC input
17. Guitar volume: Adjust the volume on the guitar input
18. Storage Inputs: 4gb MAX volume read, can only read MP3 files
19. Repeat: Replays the current track
20. ¼" Guitar/Musical Instrument input
21. ¼" MIC Inputs
22. Master Volume Control: Adjusts the overall volume level of the master audio signal.
23. RCA Stereo line in
24. RCA Stereo line out
25. Master Power Switch
26. Battery Status indicator
27. LED Power Switch: Turns LED accent lights on and off.
28. 12V DC Power inputs
29. Master Power cable input.

How to protect and maintain the battery of Portable speaker

The portable speaker comes with a non spill able lead acid battery preinstalled. There are no user serviceable parts on your speaker. However, the battery's life depends on how you charge and maintain it. Below are several crucial points you must follow in order to preserve the life and performance of your battery and protect your factory warranty.

1. Allow a full charge before use.
2. Do not over charge your battery. **Disconnect from power source once battery is full.**
3. Do not allow your battery to fully drain.

Step one:

When you first plug your speaker into a power source (12V or AC) you begin to charge your unit for the first time. It is important to allow a complete charge before you disconnect from a power source or use the speaker for the first time. Allowing a full charge before use ensures that all the cells in your battery are activated. Full cell activation only happens during initial charge.

Step two:

Ensure that you disconnect the power source from the battery once it is fully charged . Over charging the battery will cause the cells in the battery to break down and deteriorate. All rechargeable Speakers have a battery status indicator that shows when the battery is fully charged.

Step three:

Never allow the battery on your unit to drain completely. Draining the battery completely will also cause the cells within the battery to lose their conductivity. You can tell when your battery is running low by the battery status indicator or by your speaker producing a gradual lower volume.

Following these steps will ensure that your battery performs and lasts the full life of your speaker.
Not following these steps will void our warranty.

Operation:

Setup:

1. Ensure that the unit is connected to the appropriate power source using the provided AC power cable.
2. Plug in the power cable and choose your input method using the MODE button on the unit or remote.
3. Ensure that the master volume is turned to the "0" position before connecting any audio source.
4. Place the speaker in a location that is away from any direct heat source, moisture, or extreme humidity.

Playback:

*Use the Mode select button to choose between FM, Storage Inputs or Wireless Streaming *

1. Using a storage device: The player can accept thumb drives and storage devices in USB 2.0 or less format. Files can be played back formatted as MP3 only. The USB connection can read devices up to 8GB.
2. Using Wireless Streaming :
Ensure that your audio source has Wireless Streaming enabled/discoverable, next turn your speaker on and select Wireless Streaming mode. Search for available Wireless Streaming devices on your source unit and select **BT Speaker**. Once connected you can play audio from your device when the unit is in Wireless Streaming Mode.
3. Using Microphones: Ensure that the Microphone volume is set to "0". Connect your microphone to ¼" Jacks located on 7. Ensure that your microphone is turned on. Adjust the volume control to desired volume.
4. Using FM: Press the Mode button till FM is selected. Once in FM mode press the Play/record button on the unit or remote and the FM tuner will begin programming all available stations. You can also manually input the desired radio station using the keypad on the remote control unit.
5. Using Wireless Microphone: Turn on the wireless microphone , adjust the volume control to desired volume.

Maintenance and care:

- Store and use in a dry environment away from direct heat sources and moisture.
- Do not clean with solvents or detergents. Only use a mildly damp cloth to dust or clean.
- Use on a flat stable surface. This unit will vibrate when played at high volume and will shift position. Please use caution when placing this on any surface
- Use only the correct power source and cable provided
- Maintain all gain controls at correct levels. Excessive gain controls coupled with high volume can damage the speaker drivers.
- Collapse all antennas and disconnect all cables before moving the unit.

Troubleshooting:

- Music files not read: Ensure that your music files are encoded as MP3 Audio Files.
- No Sound: Please ensure that all volume and gain controls are not in the "0" position and that all source units are on and producing volume. Check volume controls at source units
- Wireless Streaming not connecting: Ensure that the Wireless Streaming device you are connecting has Wireless Streaming on and is discoverable.
- No Power: please ensure that your power connection is fully engaged and connected to a non surging power source.
- Sound is distorted: Please ensure that your source volume and input gains on the speaker are even and balanced. Also check that your connecting cables from source units are not damaged or broken.
- No sound from Microphone: Ensure that the MIC gain control is not set to "0" ensure that the microphone is turned on and that all connecting cables are fully engaged and working properly.

FCC Warning Statement

This equipment has been tested and found to comply with the limits for a Class B digital device, pursuant to part 15 of the FCC Rules. These limits are designed to provide reasonable protection against harmful interference in a residential installation. This equipment generates, uses and can radiate radio frequency energy and, if not installed and used in accordance with the instructions, may cause harmful interference to radio communications. However, there is no guarantee that interference will not occur in a particular installation. If this equipment does cause harmful interference to radio or television reception, which can be determined by turning the equipment off and on, the user is encouraged to try to correct the interference by one or more of the following measures:

- Reorient or relocate the receiving antenna.
- Increase the separation between the equipment and receiver.
- Connect the equipment into an outlet on a circuit different from that to which the receiver is connected.
- Consult the dealer or an experienced radio/TV technician for help.

Caution: Any changes or modifications to this device not explicitly approved by manufacturer could void your authority to operate this equipment. This device complies with part 15 of the FCC Rules.

Operation is subject to the following two conditions:

- (1) This device may not cause harmful interference, and
- (2) this device must accept any interference received, including interference that may cause undesired operation.

The device has been evaluated to meet general RF exposure requirement. The device can be used in portable exposure condition without restriction.