

UM01588

Outdoor IP64 Temperature and Humidity LoRaWAN Sensor RHF1S001 User Manual

V1.4

Document information

Info	Content
Keywords	<i>RisingHF, LoRaWAN, Temperature and Humidity, IP64,</i>
Abstract	This doc will describe the specifications of RHF1S001, and some necessary application information is also included.

Content

Content.....	2
Figures.....	3
Tables.....	4
1 General description.....	2
2 Product specifications.....	2
3 Application Information.....	3
3.1 Function.....	3
3.2 Uplink.....	3
3.2.1 Header.....	4
3.2.2 Temperature.....	4
3.2.3 Humidity.....	4
3.2.4 Period.....	4
3.2.5 RSSI & SNR.....	4
3.2.6 Battery level.....	4
3.3 Downlink.....	5
3.3.1 Change Duty Cycle.....	5
3.4 Parameters configuration.....	5
4 Mechanical structure and Assembly.....	8
4.1 Mechanical size of RHF1S001.....	8
4.2 Battery installation.....	8
4.3 RHF1S001 fixture outdoor.....	8
5 Battery information.....	10
Revision.....	11

Figures

Figure 1 Outside view of RHF1S001.....	2
Figure 2 Mechanical size of the RHF1S001.....	8
Figure 3 Screw mounting holes for outdoor fixture.....	9

Tables

Table 1 General electrical characteristic.....	2
Table 2 Temperature measurement performance.....	2
Table 3 Humidity measurement performance.....	2
Table 4 Payload Format.....	3
Table 5 Battery information.....	10

Outdoor IP64 Temperature and Humidity LoRaWAN Sensor RHF1S001

General description

RisingHF temperature and humidity sensor offers cost effective LoRaWAN end node solution for a variety of applications. Its reliable and low power design allows a battery operation up to 5 years without any maintenance. IP64 enclosure concept and water splash proof unique sensor design are ideal for outdoor use and installation in low accessibility locations. Sensor acquisition rate could be adjusted via LoRaWAN Class A downlink capability and permit to manage the battery life or the measurements capacity according to the needs of the application. RisingHF sensors family is fully compatible and plug & play for LoRaWAN network operation.

Applications

- Weather station
- Heating
- Drying
- Ventilation & air conditioning systems
- Refrigeration equipment
- Building automation

Key features

- Powered by lithium thionyl chloride battery: 5 years of operation for 1 uplink 2 minutes.
- Extended industrial operating temperature: -40°C to +81 °C.
- Outdoor use: IP64 enclosure.
- Accuracy: ±5% RH typically from 20% RH to 80% RH at 25°C. ±0.5°C typically from +5°C to +60°C.
- LoRaWAN compatible: uplink rate programmable from 2 minutes to 24 hours.
- Change uplink cycle via wireless, i.e. could be configured by server via downlink command
- High performance internal antenna used
- Operating frequency bands (Option at order):

902MHz~928



Figure 1 Outside view of RHF1S001

1 General description

The RisingHF's Temperature and humidity LoRaWAN sensor node RHF1S001 is aimed at outdoor application with its IP64 protection level. And thanks to its high performance internal antenna and LoRa technology used, the sensor could operate in extremely hard environment or ultra-long range application. In addition to all above, the ultra-low sleep current help it to work in a long life, 5 years or even 10 years are possible¹.

¹ Transmitting period decides life of RHF1S001

2 Product specifications

The tables below give the electrical specifications and performance of the temperature and humidity measurement.

Table 1 General electrical characteristic

ITEMs	Parameter	Specifications	Unit
Structure	Size	84 X 114 X 55	mm
Electrical Characteristics	power supply	3.6V battery	V
	Sleep current	1.5uA	uA
	Transmit current	120mA@20dBm set	mA
		45mA@14dBm set	mA
	Uplink cycle	5 minutes default	minutes
		Set by downlink command from server	
Battery life	more than 10 years with 20minutes cycle	years	
Operating Range	Temperature	-40 to 85	°C
	Humidity	0 to 100	%RH

Table 2 Temperature measurement performance

Parameter	Condition	min	typ	max	Units
Resolution	14bit		0.01		°C
Accuracy	typ		+/-0.3		°C
Operating Range	extended	-40		85	°C
Long Term Drift	normal		<0.04		°C

Table 3 Humidity measurement performance

Parameter	Condition	min	typ	max	Units
-----------	-----------	-----	-----	-----	-------

Resolution	12bit		0.04		%RH
Accuracy	typ		+/-3.0		%RH
Nonlinearity			<0.1		%RH
Operating Range	extended	0		100	%RH
Long Term Drift	normal		<0.5		%RH

3 Application Information

3.1 Function

RHF1Sxxx software implements LoRaWAN ABP mode with ADR enabled, it is a LoRaWAN Class A device, DevAddr, NwkSKey, AppSKey are stored in the node. This 3 information is necessary for node to connect a network. DevAddr will be labeled to the surface of the device, however NwkSKey and AppSKey will be kept secret to make node safe. RisingHF promises only expose to this 2 session keys device owner. RisingHF will supply key in in the form of information list.

After power on, RHF1Sxxx will keep detect the status of magnet sensor, when magnet stays the same, then RHF1Sxxx will reports magnet status and temperature and humidity to server in a fixed duty cycle which could be customized by user through downlink. Magnet status change will trigger a report immediately, depends on current data rate, response time could range from 100ms to 2s.

According to LoRaWAN specification, downlink response time is decided by uplink duty cycle, user should refer the needed response time to choose uplink duty cycle. Detailed downlink and uplink definition are described below.

Note: For prototype device, Semtech's default NwkSKey, AppSKey and AppKey are used, so that user could connect device to Semtech IoT server easily.

Default NwkSKey: 0x2B, 0x7E, 0x15, 0x16, 0x28, 0xAE, 0xD2, 0xA6, 0xAB, 0xF7, 0x15, 0x88, 0x09, 0xCF, 0x4F, 0x3C

Default APPSKey: 0x2B, 0x7E, 0x15, 0x16, 0x28, 0xAE, 0xD2, 0xA6, 0xAB, 0xF7, 0x15, 0x88, 0x09, 0xCF, 0x4F, 0x3C

Default APPKey: 0x2B, 0x7E, 0x15, 0x16, 0x28, 0xAE, 0xD2, 0xA6, 0xAB, 0xF7, 0x15, 0x88, 0x09, 0xCF, 0x4F, 0x3C

3.2 Uplink

Table 4 Payload Format

Bytes	1	2	1	2	1	1	1
Item	Header	Temperature	Humidity	Period	RSSI	SNR	Battery

For example, get payload 01 6c 68 9d 39 30 90 29 c8, then extract payload information like below.

Header: 01
 Temperature: 6c 68
 Humidity: 9d
 Period: 39 30
 RSSI: 90
 SNR: 29
 Battery: c8

3.2.1 Header

D7: Toggle when receive a downlink.

D6: Current status. When door sensor status changed, this bit would be changed also and trigger a transmit.

D5~D2: Reserved.

D1~D0: Header type, 1: normal, others: reserved.

3.2.2 Temperature

Get payload 6c 68 (little endian), convert to HEX format 0x686c, it is 26732 in decimal. Use formula below to calculate.

$t=26732$ (0x686C), then $T=24.8$.

3.2.3 Humidity

Get payload 9d, convert to HEX format 0x9d, it is 157 in decimal. Use formula below to calculate.

$rh=157$ (0x9d), then $RH=71\%$

Note: The Humidity would be reserved in future product if no need in future.

3.2.4 Period

Get payload 39 30 (little endian), convert to HEX format 0x3039, it is 12345 in decimal. "12345" means RHF1Sxxx is in test mode, duty cycle is 5s. Other valid value 1~1441(minute).

3.2.5 RSSI & SNR

RSSI and SNR of last received payload, 0xFF means RHF1Sxxx never gets downlink and RSSI/SNR is unknown, server could use this information to estimate downlink link budget.

Formula:

From the example:

RSSI is 0x90, SNR is 0x29. $RSSI = -180+144 = -36dBm$; $SNR = 41/4 = 10.25dB$

Note: SNR is a signed value, if D7 is 1, then SNR is negative. eg: $snr = 0xFE = -2$; $SNR = -0.5dB$

3.2.6 Battery level

Battery voltage level unit is 0.01V. Get payload c8, convert to decimal 200.

In prototype, no battery is used. So the voltage level would be always same which is the level of regulator output.

 means battery level is 3.5V

Note: Battery percentage value is to be defined.

3.3 Downlink

3.3.1 Change Duty Cycle

Format:

PORT: 8
Length: 2 bytes

RHF1Sxxx supports server to change the uplink period. Server can send a 2 bytes payload through port 8 to change the uplink duty cycle, new period will be updated with next payload after changed. The downlink must only contain 2 bytes, and with format described in **3.2.4 Period**.

3.4 Parameters configuration

With RisingHF tool **RCFG.exe**, customer could configure some parameters like frequency channel, LoRaWAN mode, key and so on. Please refer to “[RHF-AN01519]RCFG Tool Usage” for more details.

Below is an example of .json file will be used in the configuration operation. All the parameters list below could be re-configured.

```
{
  // ABP, OTAA, abp, otaa
  "mode": "ABP",

  // final_period = period ± period_offset
  // Transmit period, unit: s
  "period": 5,
  // Transmit period random offset, unit: s
  "period_offset": 0,

  // EU868, US915, RHF01
  "datarate_scheme": "EU868",

  "id":{
    "devaddr":"11 22 33 44",
    "deveui" : "0x86, 0x00, 0x00, 0x00, 0x00, 0x00, 0x00, 0x02",
    "appeui" : "0x86, 0x73, 0x65, 0x6D, 0x74, 0x65, 0x63, 0x68"
  },

  /* nwkskey, appskey, appkey */
  "key":{
    "nwkskey":"2B 7E 15 16 28 AE D2 A6 AB F7 15 88 09 CF 4F 3c",
```

```
"appskey":"2B 7E 15 16 28 AE D2 A6 AB F7 15 88 09 CF 4F 3C",
"appkey" : "86 00 00 00 00 00 00 00 86 00 00 00 00 00 00"
},

"rxwin2":{
  "freq":869.525000,
  "dr": 3
},

// adaptive datarate option, true: enable, false: disable
"adr":true,

"dr": 0,           // start datarate DR0~DR15
"power": 14,       // dBm
"rept": 1,         // unconfirmed message repetition
"retry": 3,        // confirmed message retry
"port": 8,         // port
"class": "A",      // Class A, C. B is not supported.

/* Oder of the sections decides */
"channels":[
  {
    "freq": 868.1,
    "dr_min": 0,
    "dr_max": 5
  },
  {
    "freq": 868.3,
    "dr_min": 0,
    "dr_max": 5
  },
  {
    "freq": 868.5,
    "dr_min": 0,
    "dr_max": 5
  },
  {
    "freq": 868.7,
    "dr_min": 0,
    "dr_max": 5
  },
  {
    "freq": 867.3,
    "dr_min": 0,
    "dr_max": 5
  },
  {
    "freq": 867.5,
    "dr_min": 0,
    "dr_max": 5
  },
},
```

```
{
  {
    "freq": 867.7,
    "dr_min": 0,
    "dr_max": 5
  },
  {
    "freq": 867.9,
    "dr_min": 0,
    "dr_max": 5
  }
]
}
```

4 Mechanical structure and Assembly

4.1 Mechanical size of RHF1S001

Figure 2 below show the outline size of the RHF1S001 TH sensor.

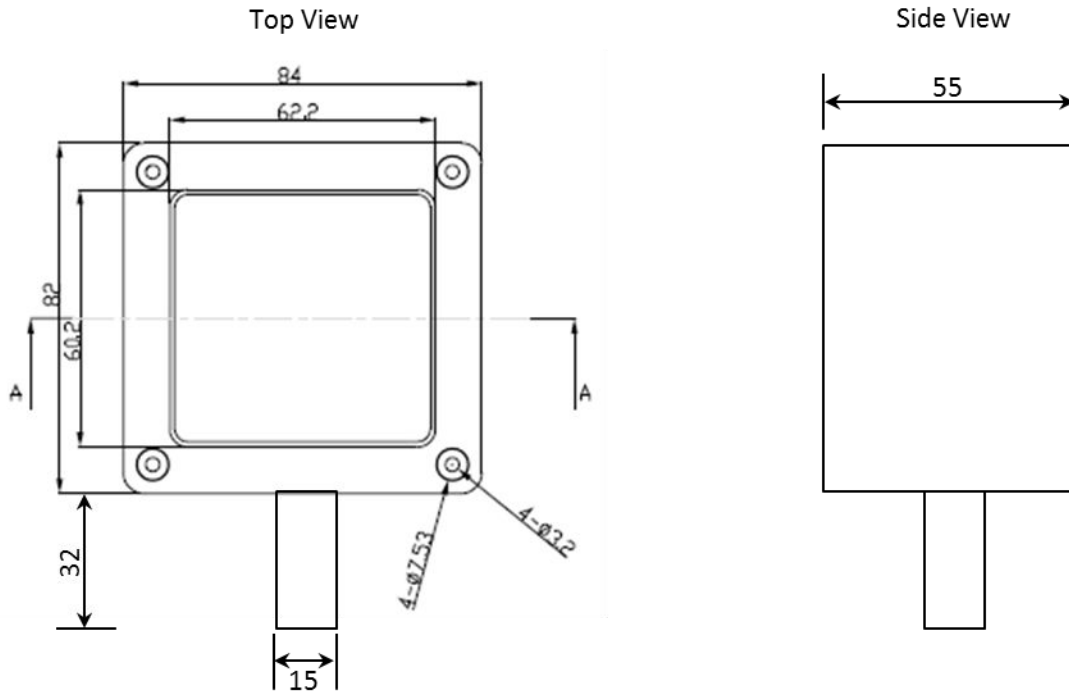


Figure 2 Mechanical size of the RHF1S001

4.2 Battery installation

A D size battery holder is inside the RHF1S001. Just insert the 3.6V battery to the holder, the RHF1S001 would start work with a default cycle. Please follow step below when install a new battery.

Step1: Remove the cover.

Step2: Install the battery.

Step3: Reset the device.

Step4: Close and fix the cover again.

Note: Don't inverse the polarity of the battery when insert the holder!!!

4.3 RHF1S001 fixture outdoor

On the back of the enclosure, there are 4 screw mounting holes which are isolated from inside of the device. With this delicate design, the RHF1S001 could work in IP64 condition. Customer can use these

4 screw mounting holes for outdoor fixture. Refer to Figure 3 below for the detailed information of the screw mounting holes.

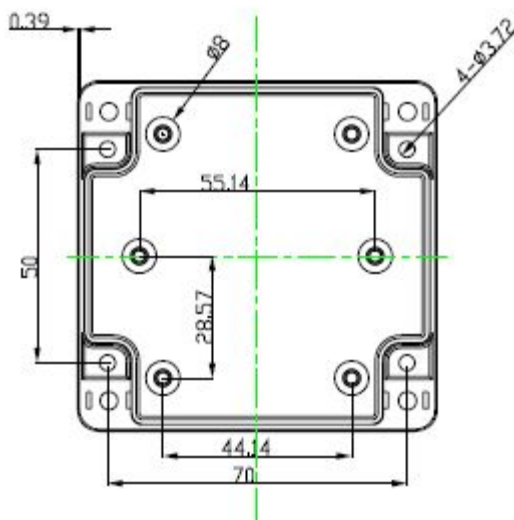


Figure 3 Screw mounting holes for outdoor fixture

5 Battery information

Lithium/thionyl chloride battery with PN ER34615 is used in RHF1S001 TH sensor node, which could operate in -55 to +85°C. Table below is key features of this battery.

Table 5 Battery information

Item	Value
Part No	ER34615
Voltage Range	2.0 to 3.7 V
Nominal Voltage	3.6 V
Capacity	19000 mAh
Max. Discharge	200mA
Pulse Capability	up to 400mA
Operating Temp	-55° C to 85° C
Safety	Material Safety Datasheet – MSDS
Transportation	Class 9

Revision

V1.4 2016-01-14

+ Update

V1.2 2015-12-08

+ Sync to new firmware with configuration function

V1.1 2015-10-10

+ Fix application information

V1.0 2015-08-21

+ Documents Creation

- RF exposure information: The Maximum Permissible Exposure (MPE) level has been calculated based on a distance of $d=20$ cm between the device and the human body. To maintain compliance with RF exposure requirement, use product that maintain a 20cm distance between the device and human body.

➤

Hereby, Ruixing Hengfang Network (Shenzhen) CO., LTD declares that this device is in compliance with the essential requirements and other relevant provisions of Directive 1999/5/EC. For the declaration of conformity, visit the Web site <http://www.11467.com/shenzhen/co/1018505.htm>

CE 0700

Notice: Observe the national local regulations in the location where the device is to be used. This device may be restricted for use in some or all member states of the European Union (EU)

Please Read Carefully:

Information in this document is provided solely in connection with RisingHF products. RisingHF reserve the right to make changes, corrections, modifications or improvements, to this document, and the products and services described herein at any time, without notice.

All RisingHF products are sold pursuant to RisingHF's terms and conditions of sale.

Purchasers are solely responsible for the choice, selection and use of the RisingHF products and services described herein, and RisingHF assumes no liability whatsoever relating to the choice, selection or use of the RisingHF products and services described herein.

No license, express or implied, by estoppel or otherwise, to any intellectual property rights is granted under this document. If any part of this document refers to any third party products or services it shall not be deemed a license grant by RisingHF for the use of such third party products or services, or any intellectual property contained therein or considered as a warranty covering the use in any manner whatsoever of such third party products or services or any intellectual property contained therein.

UNLESS OTHERWISE SET FORTH IN RISINGHF'S TERMS AND CONDITIONS OF SALE RisingHF DISCLAIMS ANY EXPRESS OR IMPLIED WARRANTY WITH RESPECT TO THE USE AND/OR SALE OF RisingHF PRODUCTS INCLUDING WITHOUT LIMITATION IMPLIED WARRANTIES OF MERCHANTABILITY, FITNESS FOR A PARTICULAR PURPOSE (AND THEIR EQUIVALENTS UNDER THE LAWS OF ANY JURISDICTION), OR INFRINGEMENT OF ANY PATENT, COPYRIGHT OR OTHER INTELLECTUAL PROPERTY RIGHT.

RISINGHF PRODUCTS ARE NOT DESIGNED OR AUTHORIZED FOR USE IN: (A) SAFETY CRITICAL APPLICATIONS SUCH AS LIFE SUPPORTING, ACTIVE IMPLANTED DEVICES OR SYSTEMS WITH PRODUCT FUNCTIONAL SAFETY REQUIREMENTS; (B) AERONAUTIC APPLICATIONS; (C) AUTOMOTIVE APPLICATIONS OR ENVIRONMENTS, AND/OR (D) AEROSPACE APPLICATIONS OR ENVIRONMENTS. WHERE RISINGHF PRODUCTS ARE NOT DESIGNED FOR SUCH USE, THE PURCHASER SHALL USE PRODUCTS AT PURCHASER'S SOLE RISK, EVEN IF RISINGHF HAS BEEN INFORMED IN WRITING OF SUCH USAGE, UNLESS A PRODUCT IS EXPRESSLY DESIGNATED BY RISINGHF AS BEING INTENDED FOR "AUTOMOTIVE, AUTOMOTIVE SAFETY OR MEDICAL" INDUSTRY DOMAINS ACCORDING TO RISINGHF PRODUCT DESIGN SPECIFICATIONS. PRODUCTS FORMALLY ESCC, QML OR JAN QUALIFIED ARE DEEMED SUITABLE FOR USE IN AEROSPACE BY THE CORRESPONDING GOVERNMENTAL AGENCY.

Resale of RisingHF products with provisions different from the statements and/or technical features set forth in this document shall immediately void any warranty granted by RisingHF for the RisingHF product or service described herein and shall not create or extend in any manner whatsoever, any liability of RisingHF.

RisingHF and the RisingHF logo are trademarks or registered trademarks of RisingHF in various countries.

Information in this document supersedes and replaces all information previously supplied.

The RisingHF logo is a registered trademark of RisingHF. All other names are the property of their respective owners.

© 2015 RISINGHF - All rights reserved

<http://www.risinghf.com>

FCC Statement

1. This device complies with Part 15 of the FCC Rules. Operation is subject to the following two conditions:

(1) This device may not cause harmful interference.

(2) This device must accept any interference received, including interference that may cause undesired operation.

2. Changes or modifications not expressly approved by the party responsible for compliance could void the user's authority to operate the equipment.

NOTE: This equipment has been tested and found to comply with the limits for a Class B digital device, pursuant to part 15 of the FCC Rules. These limits are designed to provide reasonable protection against harmful interference in a residential installation.

This equipment generates uses and can radiate radio frequency energy and, if not installed and used in accordance with the instructions, may cause harmful interference to radio communications. However, there is no guarantee that interference will not occur in a particular installation. If this equipment does cause harmful interference to radio or television reception, which can be determined by turning the equipment off and on, the user is encouraged to try to correct the interference by one or more of the following measures:

- Reorient or relocate the receiving antenna.

- Increase the separation between the equipment and receiver.

-Connect the equipment into an outlet on a circuit different from that to which the receiver is connected.

-Consult the dealer or an experienced radio/TV technician for help

RF Exposure Statement

This equipment complies with FCC radiation exposure limits set forth for an uncontrolled environment. This equipment should be installed and operated with minimum distance of 20cm between the radiator and your body.