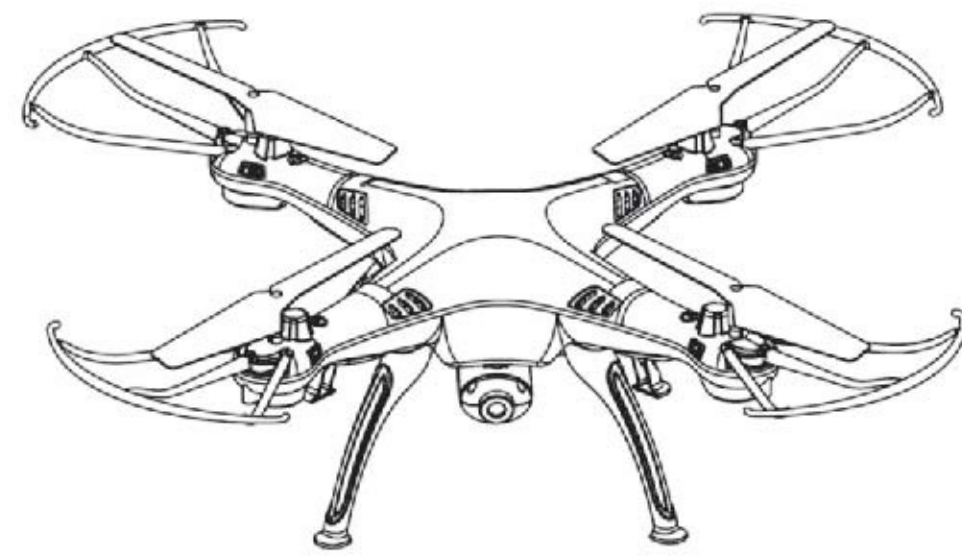
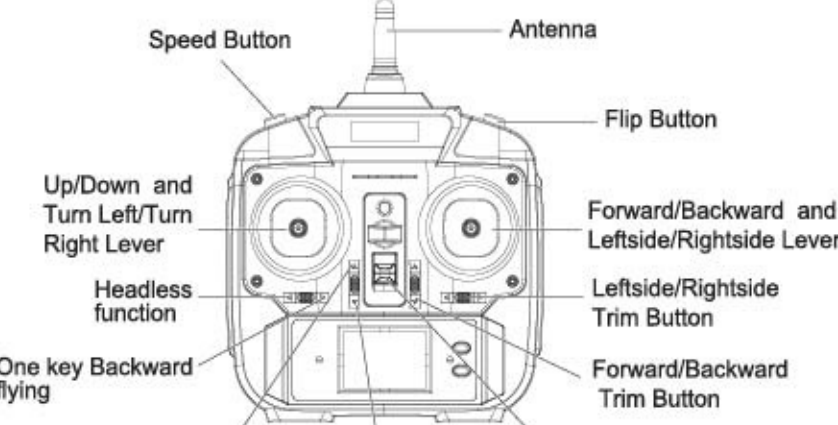


ADURO ALTITUDE QUADBLAZER PRO

INSTRUCTION MANUAL

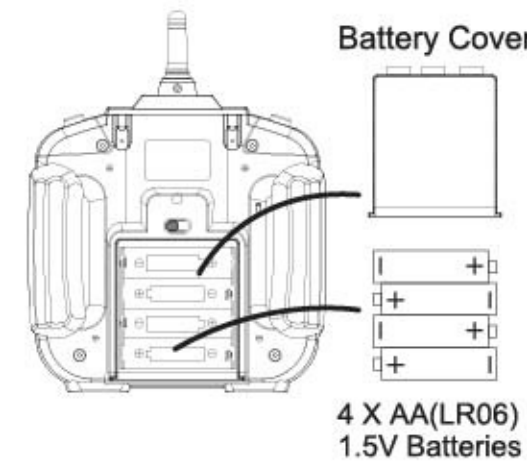


1. CONTROLLER COMPONENTS:



2. SETTING UP THE CONTROLLER / DRONE:

INSTALLING THE CONTROLLER BATTERIES



1. Unscrew the battery cover, and insert 4 *AA batteries, making sure you insert them following the correct polarity as shown.
2. Re-attach the battery cover

NOTICE:

1. Always have an adult to install the batteries
2. Always use Alkaline Batteries
3. Never mix old and new batteries

1

10. HEADLESS AND ONE KEY RETURN FUNCTION:



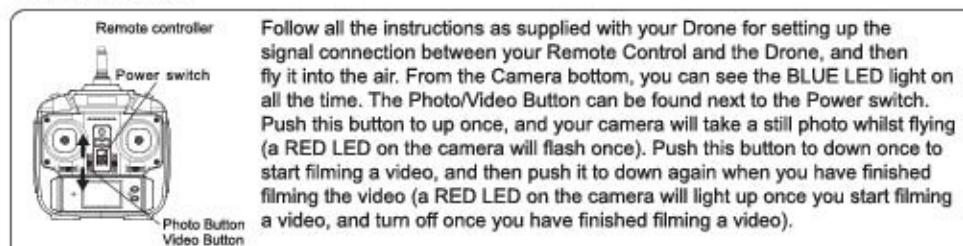
1. **Headless function:** Press the Trim Slider button left, you will get into compass mode flying. To quit from compass mode by Press the same slider button.
2. **One key return function:** Press the Trim Slider button Right, you will get into one key return mode. To quit the mode by Press the same slider button.

11. EXTRA INSTRUCTION MANUAL FOR CAMERA DRONE FUNCTION:

USING THE CAMERA



- Step 1: Insert the memory card into the camera. You must make sure you insert the memory card the correct way up (see picture). If you insert the memory card up side down it will get stuck and your camera will not work.
- Step 2: Turn on the the Power Switch of the Drone as you would for any normal flight.
- Step 3: A Blue light will show on the camera whenever the drone is in use. A Red light will flash on then off when you take a photo, and a Red light will remain on when taking a video.



Attention: When filming a video, always make sure to push the video button the second time to finish the video BEFORE you land and disconnect the Drone battery, as otherwise your video will not save.

Turn the On/Off switch on the Drone to Off, and remove the Memory Card from the camera. Insert the Memory Card into the included USB Card Reader (making sure you insert it the correct way round - see picture), and attach the USB Card Reader to your computer. You will now be able to open the Photo/Video files saved on the memory card on your computer in exactly the same way you open other pictures and videos saved on memory cards or sticks. The AVI format of the video will need a media player which supports AVI format.

6

13. REPLACING BLADES AND FIXING ISSUES:

1. **BLADE REPLACEMENT:** Your Drone blades are very strong, but sometimes they can get damaged with a bad crash. You have spare blades in the box, and to replace them it is as easy as just placing a new one back on over the motor bar. You must always replace an A Blade with an A Blade, and a B Blade with a B Blade.
2. **DRONE NOT LIFTING OR NOT FLYING IN YOUR CHOSEN DIRECTION:**
 - 1) The most common reason for a Drone not lifting or flying in your chosen direction properly is that you have hair and debris wrapped around one or more of the blades. This is simple to remove, just take off the blade. Remove the debris, and place the blade back on.
 - 2) The batteries in either the Drone or Controller may need charging (or replacing if it's the batteries in the controller).
 - 3) You may have knocked your Trim Button settings out of sync. Follow the instructions earlier in this booklet to reset them back to the factory settings, and then re-trim as desired.

14. WARNINGS:

- The Drone is designed for 14+
- Adult supervision is always advisable with any form of flying toy
- Always ensure your flight area is free of all obstacles before taking off, and ensure the Drone is always flown in excess of 1.5 meters from yourself and others
- Remove all batteries from the Drone and Controller when not in use
- Never overcharge
- Never leave to charge unattended
- Never touch the Drones motors during or after flying as they can get hot
- Never touch the blades when they are in motion
- If the Drone becomes damaged, stop using it immediately
- Do not dispose of any parts of the Drone or Controller in the normal rubbish; all parts should be taken to your local recycling centre
- The battery in the Drone should never be exposed to any form of high temperature or disposed of in a fire

7

CHARGING YOUR HOVER DRONE BATTERY

IMPORTANT – READ BEFORE CHARGING:

BATTERY WARNING: Lithium Polymer batteries can expand, burst or catch fire if used incorrectly, causing both property damage and or personal injury. It is essential that you follow all the included instructions and safety warnings in full. The manufacturer, distributors and retailers will assume no liability for the failure to comply with these safety instructions and warnings.

- INSTRUCTIONS WHEN CHARGING:**
- 1) The battery must be removed from the product before charging.
 - 2) If the battery has just been used, please let it cool down to room temperature before charging.
 - 3) Charging must only be undertaken by an Adult, and only using the charger included with this product.
 - 4) Always charge the battery on a non flammable heat resistant surface with non flammable surroundings.
 - 5) Connect the battery to the USB charging cable making sure you insert the T shaped battery plug into the T shaped socket in the USB charging cable (see picture below).

NEVER try and force the connection the wrong way round (the same is important when you connect the battery to your product). Also always check the two pins in the USB charging cable have not been bent out of shape in any way; if they are, do not attempt to charge.



- 6) Connect the USB Charging cable to your USB Charging devices. USB Charger will light up RED while charging. It takes around 90-120 minutes to fully charge the battery. As soon as the battery is fully charged, the USB charger will turn off.

- 7) Lithium Polymer batteries do not last forever. If your battery becomes damaged in a crash or no longer charges properly, immediately replace it with a new battery. To prolong the life of your battery, it is always best to retain a bit of charge in your battery prior to charging it.
- IMPORTANT BATTERY CARE INSTRUCTIONS:**
If your battery ever starts to smell, change colour or look swollen, you must stop using it immediately and must not attempt to recharge it. If the battery ever starts to smell, change colour or expand whilst charging, you must stop charging immediately, remove the battery from the charger and place the battery on a non flammable heat resistant surface. Do not attempt to recharge the battery. Be advised that the battery may be hot so be careful when handling it. Disposal of any battery should be done at you local recycling centre.

3. SAFE FLIGHT ENVIRONMENT:

1. Make sure the surrounding area is free of all people, pets or other obstacles before you start to fly.
2. The Drone is designed for Outside flying, or indoors if you have enough space. Do not use in strong wind.
3. Leave 1.5 meters between you and the Drone at all times.

2

Safety Guidelines

- Follow community-based safety guidelines, as developed by organizations such as the Academy of Model Aeronautics (AMA).
- Fly no higher than 400 feet and remain below any surrounding obstacles.
- Keeps your drone in eyesight at all times and use an observer to assist
- *Remain well clear of and do not interfere with manned aircraft operations and you must see and avoid other aircraft and obstacles at all times.
- * Do not intentionally fly over unprotected persons or moving vehicles, and remain at least 25 feet away from individuals and vulnerable property.
- * Contact the airport or control tower before flying within five miles.
- * Do not fly in adverse weather conditions such as in high winds or reduced visibility.
- * Do not fly under the influence of alcohol or drugs.
- * Ensure the operating environment is safe and that the operator is competent and proficient in the operation of the drone.
- * Do not fly near or over sensitive infrastructure or property such as power stations, water treatment facilities, correctional facilities, heavily traveled roadways, government facilities, etc.
- * Check and follow all local laws and ordinances before flying over private property.
- * Do not conduct surveillance or photograph persons in areas where there is an expectation of privacy without the individual's permission.

Battery Disposal Guidelines

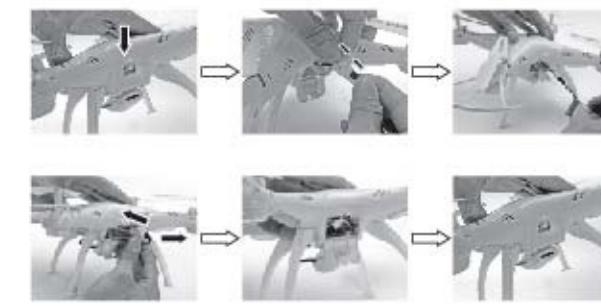
To reduce the risk of fire or burns:
Do not disassemble, crush, puncture, or short external connectors contacts.
Use only with specified charger and player.
Do not dispose of in fire or water.
Do not expose to high temperature above 140° F (60°C).
Store between 32° F (0°C) and 140° F (60°C).
Keep away from children.
See operating instructions of this battery or product.

Li-ion Battery
Must Be Disposed
Of Properly

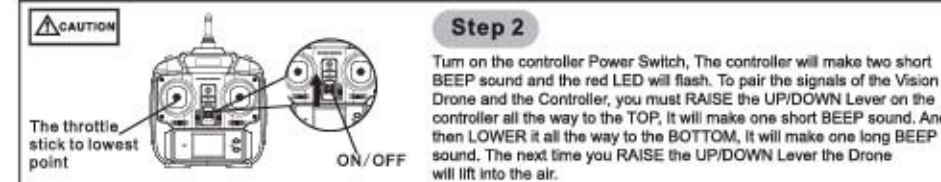
Batteries should be recycled or disposed of as per State and Local guidelines.

8

4. SETTING UP THE SIGNAL CONNECTION:

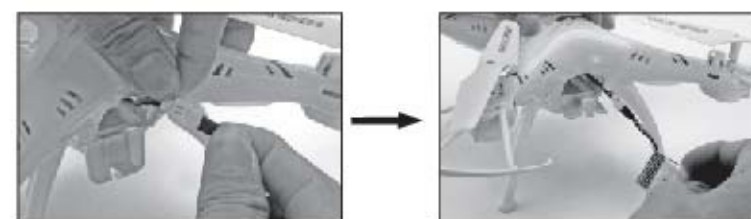


- Step 1** Press down the battery compartment on the backside of Drone, (see first picture). Connect the battery to the drone's plug socket, making sure to follow the one way fit - DO NOT FORCE THE PLUG THE WRONG WAY ROUND (see second picture). Slide the battery carefully into the battery housing and close the battery compartment cover. There is an On/Off power switch next to the camera. Turn this switch to On - the LED's on the Drone will start to flash. Place the Drone down on a flat surface, making sure the drone is facing away from you.



- Step 2** Turn on the controller Power Switch. The controller will make two short BEEP sound and the red LED will flash. To pair the signals of the Vision Drone and the Controller, you must RAISE the UP/DOWN Lever on the controller all the way to the TOP; it will make one short BEEP sound. And then LOWER it all the way to the BOTTOM, it will make one long BEEP sound. The next time you RAISE the UP/DOWN Lever the Drone will lift into the air.

- Step 3** Always Turn off the Power Switch of the Drone after flight.



The battery is only designed to be connected to the charger and the Drone, IN ONE ORIENTATION. Please make sure you follow the shape of the connectors, and DO NOT connect the wrong way round.

3

Limited 90-Day Warranty

Aduro Products, LLC warrants to the original consumer that this product is free from any electrical or mechanical defects for a period of 90 DAYS from the date of purchase. If any such defect is discovered within the warranty period, Aduro Products, LLC will repair or replace the unit free of charge upon receipt of the unit, shipped postage prepaid, and insured to our warranty center. The warranty covers normal consumer use and does not cover damage that occurs in shipment of failure that results from alterations, accident, misuse, abuse, neglect, wear and tear, inadequate maintenance, commercial use, or unreasonable use of the unit. Removal of any parts/components voids all warranties. This warranty does not cover cost of repairs made or attempted outside by third-party individuals and fitness, are hereby limited to 90 DAYS from the date of purchase. Consequential or incidental damages resulting from a breach of any applicable express or implied warranties are hereby excluded. Some states do not allow limitations on the duration of implied warranties and do not allow exclusion of incidental or consequential damages, so the above limitations and exclusions in these instances may not apply.

REPAIR/REPLACE PRODUCT

If your product begins to malfunction or stop working, immediately call or email our warranty center at the phone/email listed below. If it is determined that a return is necessary, our warranty department will issue you an RMA number/form and an address to the nearest return center to ship the product to. **IMPORTANT NOTICE:** We will reject all returns that are not accompanied by and issue RMA for and number, so make sure to contact our warranty center before attempting to return your product!

PREPARATION FOR SHIPPING YOUR PRODUCT

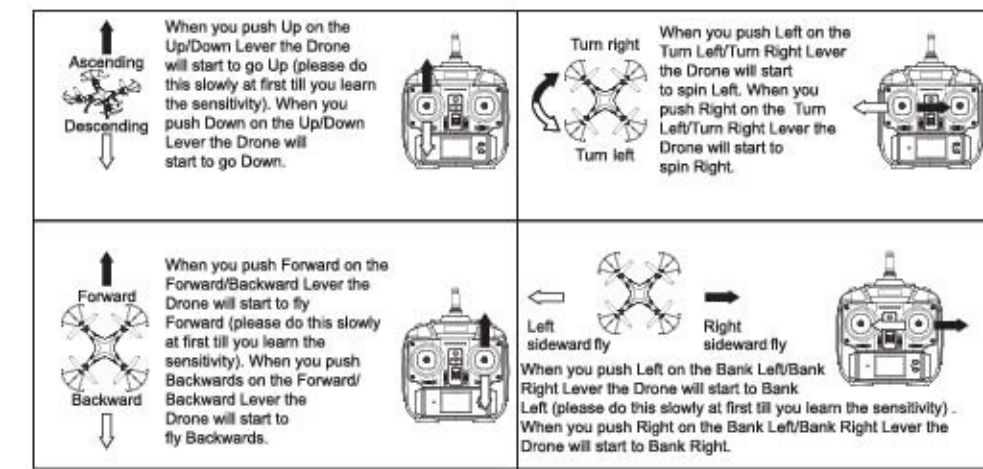
Please repack your product in a durable box, preferably in the original carton, and send it prepaid, and adequately insured. Include the RMA form that was issued by our warranty department along with your daytime telephone number and email address (if available) inside the shipping carton. If your warranty has expired, contact our warranty center for charged service. For further information, please send all inquiries to CS@aduroproducts.com.

9

5. FLIGHT CONTROL:

PLEASE USE THE CONTROLLER TO PRACTICE SIMULATED FLIGHTS BEFORE YOU ACTUALLY TAKE THE DRONE IN THE AIR FOR THE FIRST TIME

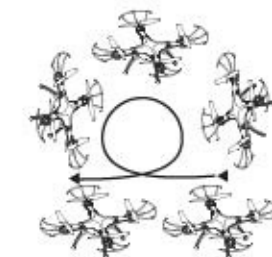
Place the Drone on a flat surface, making sure the Yellow LED Lights is facing away from you.



TIP: It is much easier when you start to learn to fly the Drone, to ignore Turn Right / Turn Left. By using Up/Down, Forward/Backward, Bank Left/Bank Right, the Drone will still be able to fly anywhere.

6. HOW TO DO A 360 FLIP:

1. Make sure the Drone is flying at least 3 meters above the floor, or 3 meters below a ceiling.
2. Press the Flip button on the controller, The controller will make a "Beep" sound, then flick the right hand lever in any direction, and the Drone will flip in that direction.
3. You may need to push Up on the Up/Down Lever after the flip, if your battery is low on power in order to keep the Drone high in the air after the Flip.



4

7. FEATURES:

SPEED CONTROL: When you first turn on your Drone, it is set to 25% speed, you will hear ONE beep. When you press the SPEED BUTTON, you will hear TWO beeps and the speed will be increased to 50%. Pressing the SPEED BUTTON again you will hear THREE beeps and the speed will increase to 100%. Pressing again will bring you back to 25% speed and you will hear ONE beep. Always learn to fly at 25% speed, and then you can increase it as you get better at flying.

IMPORTANT NOTICE!

DO NOT ATTEMPT TO SHIP YOUR PRODUCT BACK WITHOUT FIRST CONTACTING OUR WARRANTY DEPARTMENT AT:
Aduro Products, LLC
WARRANTY REPLACEMENT DEPARTMENT
TEL: 718. 832.8500
cs@aduroproducts.com

This device complies with part 15 of the FCC rules. Operation is subject to the following two conditions:

- (1) this device may not cause harmful interference, and
- (2) this device must accept any interference received, including interference that may cause undesired operation.

Warning: Changes or modifications to this unit not expressly approved by the party responsible for compliance could void the user's authority to operate the equipment.

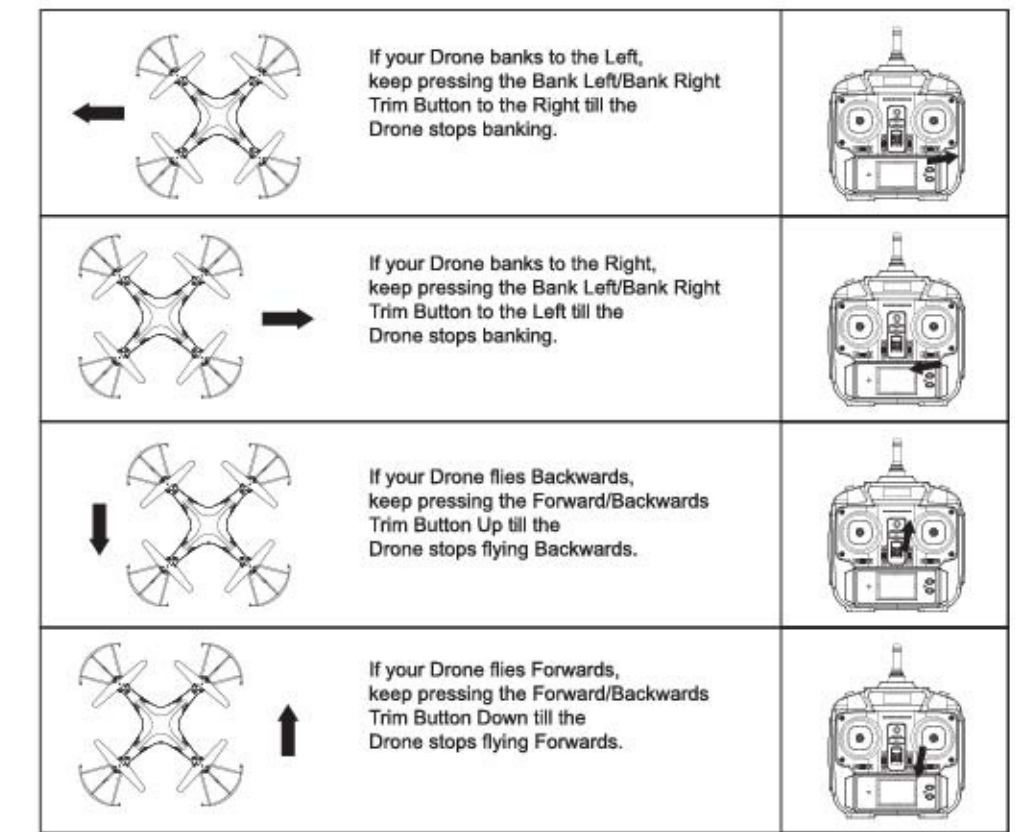
NOTE: This equipment has been tested and found to comply with the limits for a Class B digital device, pursuant to Part 15 of the FCC Rules. These limits are designed to provide reasonable protection against harmful interferences in a residential installation. This equipment generates, uses, and can radiate radio frequency energy and if not installed and used in accordance with the instructions, may cause harmful interference to radio communications.

However, there is no guarantee that interference will not occur in a particular installation. If this equipment does cause harmful interference to radio or television reception, which can be determined by turning the equipment off and on. The user is encouraged to try to correct the interference by one or more of the following measures:

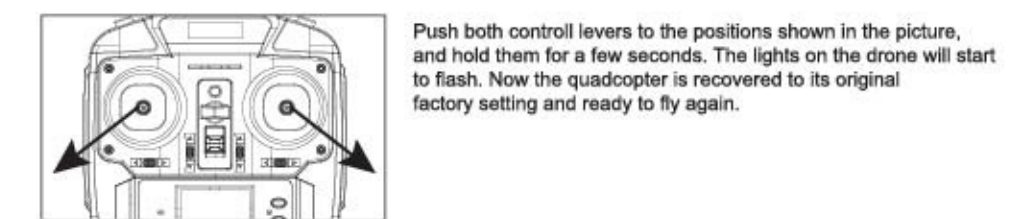
- Reorient or relocate the receiving antenna.
- Increase the separation between the equipment and receiver.
- Connect the equipment into an outlet on a circuit different from that to which the receiver is connected.
- Consult the dealer or an experienced radio/TV technician for help.

8. FLIGHT ADJUSTMENT SECTION:

When you lift your Drone into the air, and don't use any of the other direction levers, your Drone should simply hover in one spot without moving in any other direction. If however it doesn't, you can follow the below instructions to TRIM your Drone back to a perfect hover. TRIMMING is always needed before your first flight.



9. AUTO TRIM FUNCTION:



Push both control levers to the positions shown in the picture, and hold them for a few seconds. The lights on the drone will start to flash. Now the quadcopter is recovered to its original factory setting and ready to fly again.

5

BATTERY WARNING:

- Do not mix alkaline, standard (carbon zinc), rechargeable (nickel hydride) batteries.
- Do not mix old and new batteries.
- Non-rechargeable batteries should not be recharged.
- Rechargeable batteries should be removed from the appliance before being charged.
- Rechargeable batteries should be charged under adult supervision only.
- Exhausted batteries should be removed.
- The supply terminals should not be short-circuited.
- Only batteries of the same or equivalent type are recommended to be used.
- Batteries should be inserted with the correct polarity.
- Specifications, colors, and contents may vary from illustrations.
- Operates on 4x AA batteries (not included).
- Please retain this package for future use.
- Conforms to safety requirements of ASTM, FCC, & CPSIA.

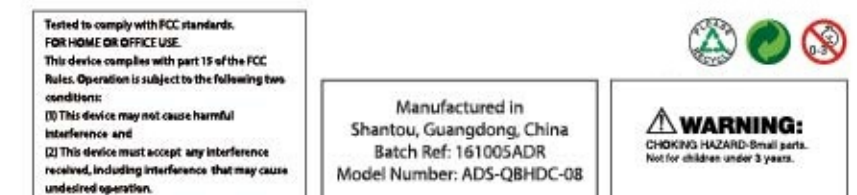
www.facebook.com/aduroproducts
Like us on facebook to stay current with new product announcements, specials, and free giveaways.

We're here to help. If you have any issues with this product, please contact us at: cs@aduroproducts.com

© Aduro. All rights reserved. Trademarks and registered trademarks are the property of their respective owners.

Distributed By: Aduro Products
250 Liberty Street Meluchen NJ 08840

Specifications, colors and contents may vary from illustrations. Please retain this package for future use. Conforms to safety requirements of ASTM, FCC, & CPSIA.



Manufactured in
Shantou, Guangdong, China
Batch Ref: 161005ADR
Model Number: AD5-QBHDJC-08

WARNING:
CHOKING HAZARD - Small parts. Not for children under 3 years.

10

11