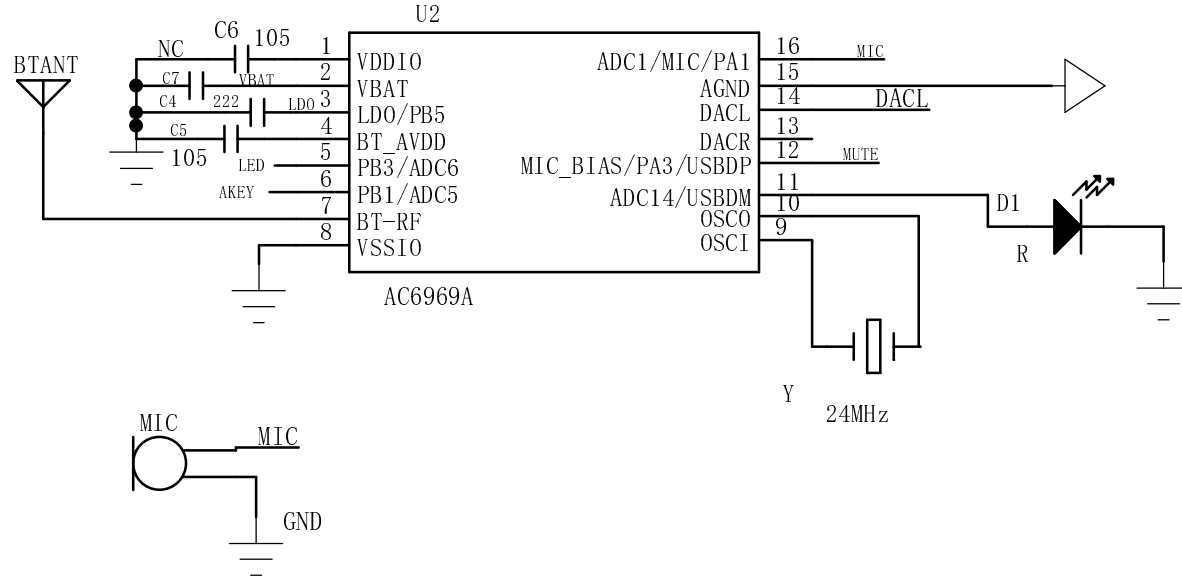
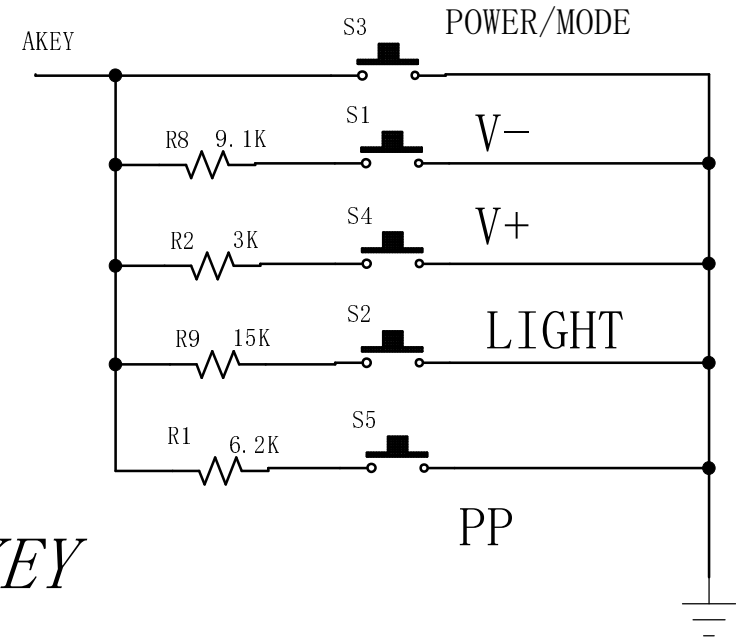


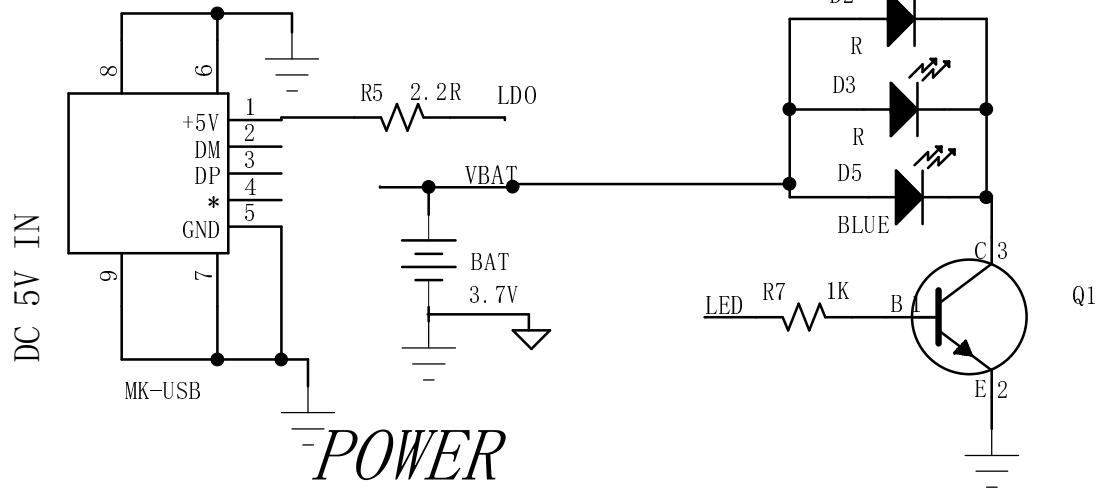
JTK-MY1025 (69A) SCH



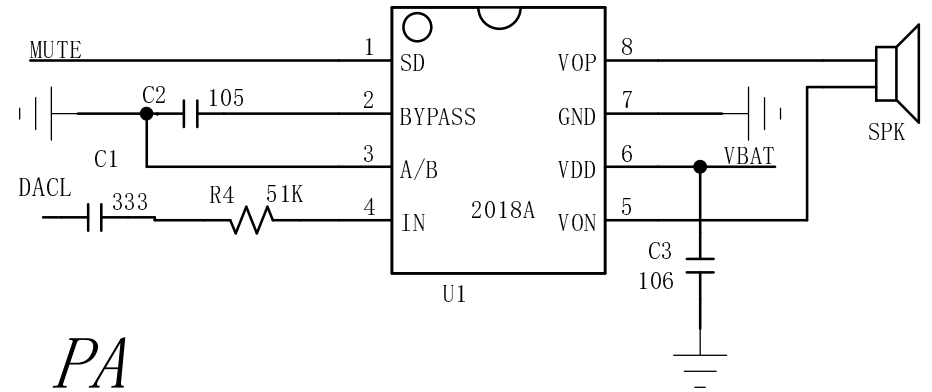
MCU/LED



KEY



POWER



PA