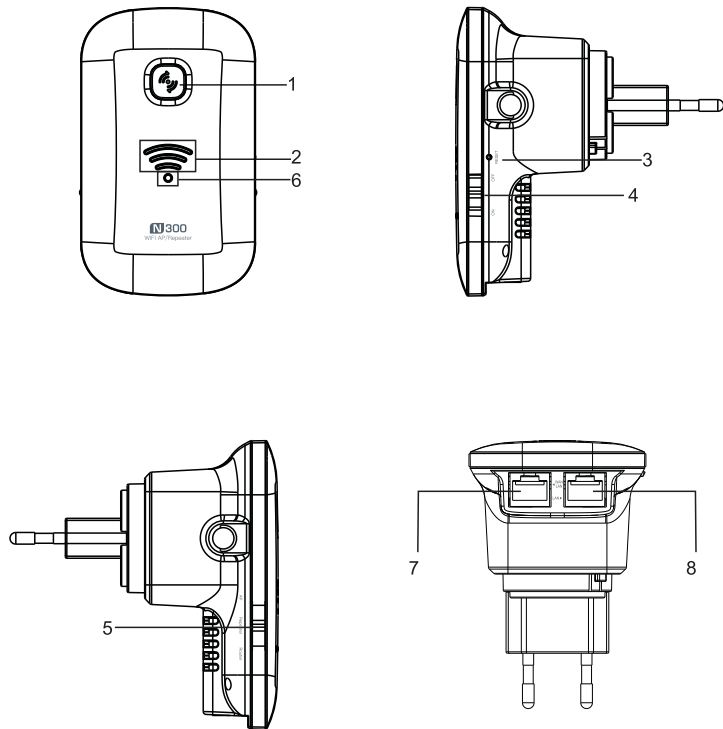


### I. Parts of the Wifi Repeater



- 1. WPS Button
- 2. WiFi Signal Strength Indicator
- 3. RESET Button
- 4. POWER ON/OFF Switch
- 5. Mode Switch(Repeater mode, Router mode,AP mode)
- 6. Wifi and WPS indicator
- 7. WAN/LAN Port
- 8. LAN Port

### II. LED Indicators

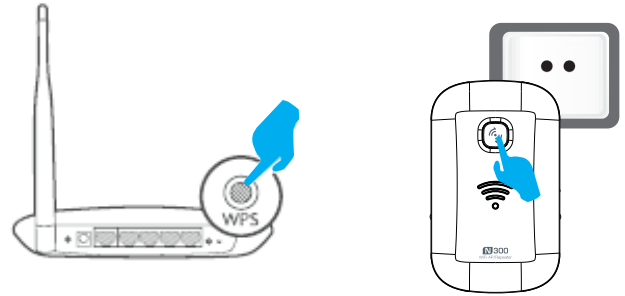
LED	Status	Meaning
Wifi indicator	LED off	No wifi signal
	LED on	Wifi signal on
	LED flashing	Transferring data
WPS indicator	LED on	Connected to existing router
	LED flashing	Connecting to existing router by WPS
WiFi Signal Strength Indicator	One LED on	Weak reception, strength below 25 %
	Two LEDs on	Good reception, strength 25%~50%
	Three LEDs on	Excellent reception, strength above 75%

### III. Configuration of the Wifi Repeater

The repeater has functions: repeater , router and Access Point. We describe the setup as wifi repeater in details. So firstly make sure the mode switch is in the repeater mode.

There are two ways to set up this device as wifi repeater, with WPS or without WPS. If you want to setup with WPS button, please make sure that the other device(that you want to connect with) has also a WPS button.

1. Connect the wifi repeater to your existing router by WPS button.(go to point 2 if your existing router does not have WPS)
  - a. Plug the Wifi repeater into a power outlet near your existing router (not too far away from your router) and wait about 30 seconds for the repeater to start up.
  - b. Press WPS button on your existing router (usually press the WPS button for 3 seconds, consult the manual of your existing router).



- c. Activate WPS on the Wifi repeater by pressing the WPS button for over 5 seconds.
- d. The Wifi repeater will connect to your existing router. This will take some time, please wait at least 2 minutes. When the WPS indicator is on the setup is completed.

2. Connect the Wifi repeater to your existing router without WPS.
  - a. Plug the Wifi repeater into a power outlet near your existing router (not too far away from your router) and wait about 30 seconds for the repeater to start up.
  - b. The Wifi repeater will need to know to which Wifi network it should be connected and what the password is. Therefore, it is necessary to set the Wifi. You will need a network cable. Plug one side of the cable in the Wifi repeater(LAN port) and plug the other end in your PC. You may need to temporarily disconnect the existing Internet cable.
  - c. Enter 192.168.10.1 in your web browser (do not use Google, enter it in the URL bar).
  - d. Enter admin in both the name and password field.
  - e. The following screen will appear. Click on "Repeater Wizard".



f. All available Wifi networks will be shown in a screen like the one shown here.



g. Select your network by clicking on the circle in the column "Choose" and enter your password details.

h. Click the "Save" button (at the bottom). The settings are now being saved, that is why the repeater will ask you to wait for 90 seconds. Afterwards you can remove the internet cable, and install the Wifi repeater at the selected location.

Remarks: The default Wifi SSID for the repeater after setup is existing wifi router SSID + -ext. For example if existing wifi router has the SSID ABC, the repeater will have the SSID ABC-ext after setup. But you can also change the repeater SSID before clicking Save.

3. Connect your laptop, mobile phone or tablet to the Wifi repeater

a. You can now insert the Wifi repeater in the selected power outlet. Once again, this will take some time. Wait at least 2 minutes after insertion.

b. Search for new Wifi connections from your mobile device, e.g. laptop, phone or tablet. Select the SSID with -ext at the end (for example, if your existing router has SSID ABC, select ABC-ext).

c. The password will be the same as your existing router.

4. Connect an end device to the Wifi repeater using WPS

a. End devices are e.g. PC, mobile phone, tablet or IP camera. Activate WPS on the end device according to the manual of the device.

b. Press the WPS button on the Wifi repeater for less than 5 seconds.

c. The devices will now connect. After about 2 minutes, the connection works.

## IV. Frequently Asked Questions (FAQ):

Q1: What should I do if my router does not have a WPS button?

A: Please follow instructions on option two - to set up using the browser.

Q2: How to Reset to defaults?

A: While the power is still on, keep pressing the reset button on the right side of the product for 5 to 10 seconds, and it will restore to factory settings.

Q3: Why cannot I see the login page after entering http://192.168.10.1 in the browser?

A: Make sure your PC or phone is connected to the extender network and has disconnected from any other network. Also please make sure your PC or phone is set to **obtain an IP address automatically**.

Q4: My signal from the range extender is weak, and keeps dropping off.

A: Please place the extender in a proper location, i.e. where a minimum of 3 router signal strength bar is shown (please check the signal strength of that specific location with your phone or PC)

## V. FCC Information and Copyright

This equipment has been tested and found to comply with the limits for a Class B digital device, pursuant to part 15 of the FCC Rules.

These limits are designed to provide reasonable protection against harmful interference in a residential installation. This equipment generates, uses and can radiate radio frequency energy and, if not installed and used in accordance with the instructions, may cause harmful interference to radio communications. However, there is no guarantee that interference will not occur in a particular installation. If this equipment does cause harmful interference to radio or television reception, which can be determined by turning the equipment off and on, the user is encouraged to try to correct the interference by one or more of the following measures:

- Reorient or relocate the receiving antenna.
- Increase the separation between the equipment and receiver.
- Connect the equipment into an outlet on a circuit different from that to which the receiver is connected.
- Consult the dealer or an experienced radio/TV technician for help.

This device complies with part 15 of the FCC Rules. Operation is subject to the following two conditions:

- (1) This device may not cause harmful interference, and
- (2) this device must accept any interference received, including interference that may cause undesired operation.

changes or modifications not expressly approved by the party responsible for compliance could void the user's authority to operate the equipment.

This equipment complies with FCC radiation exposure limits set forth for an uncontrolled environment. This equipment should be installed and operated with minimum distance 20cm between the radiator & your body. This transmitter must not be co-located or operating in conjunction with any other antenna or transmitter.

## YICHEN (SHENZHEN) TECHNOLOGY CO.,LTD.

Add: 23 F, Building C1, Nanshan Zhiyuan, No. 1001 Xueyuan Road, Xili, Nanshan District, Shenzhen City, Guangdong, China  
website: www.jcgcom.com

### Contact Information

#### [Distribution Enquiry]

Email: marketing@jcg.com.cn  
TEL: +86-755-86664000  
Contacts: Michael Zhu

#### [OEM Enquiry]

Email: Zcq@jcg.com.cn  
TEL: +86-755-86238512  
SKYPE: zcq\_8michael

#### [Technical Support]

Email: support@jcg.com.cn