

FCC Statement

This equipment has been tested and found to comply with the limits for a Class B digital device, pursuant to part 15 of the FCC rules. These limits are designed to provide reasonable protection against harmful interference in a residential installation. This equipment generates, uses and can radiate radio frequency energy and, if not installed and used in accordance with the instructions, may cause harmful interference to radio communications.

However, there is no guarantee that interference will not occur in a particular installation. If this equipment does cause harmful interference to radio or television reception, which can be determined by turning the equipment off and on, the user is encouraged to try to correct the interference by one or more of the following measures:

- Reorient or relocate the receiving antenna.
- Increase the separation between the equipment and receiver.
- Connect the equipment into an outlet on a circuit different from that to which the receiver is connected.
- Consult the dealer or an experienced radio/TV technician for help.

To assure continued compliance, any changes or modifications not expressly approved by the party.

Responsible for compliance could void the user's authority to operate this equipment. (Example- use only shielded interface cables when connecting to computer or peripheral devices).

This equipment complies with Part 15 of the FCC Rules. Operation is subject to the following two conditions:

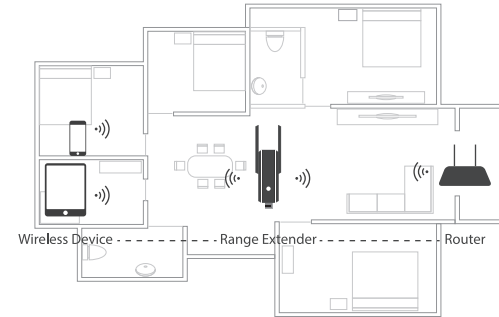
- (1) This device may not cause harmful interference, and
- (2) This device must accept any interference received, including interference that may cause undesired operation.

FCC Radiation Exposure Statement:

The equipment complies with FCC Radiation exposure limits set forth for uncontrolled environment. This equipment should be installed and operated with minimum distance 20cm between the radiator and your body.

Adjust the range extender's position

- 1 After installation, move the range extender to the other USB port and wait for 30 seconds, then it will work automatically.
- 2 Put the range extender in a commodious and barrier-free place as far as possible.
- 3 If the indicator light is red and keeps on, please adjust the position of the range extender until the light turn to blue and keeps flashing so that you can have better effect.
- 4 Adjust the angle of antenna to ensure the antenna is perpendicular to the ground so that you can achieve a better signal cover.



FAQ

How to restore the range extender to its factory default settings?

- Press and hold the reset button for 3 seconds until the red and blue LEDs shine together, then release the button. The range extender will reset after 1 minute.

What should I do if you can not open the settings interface "usbwifi.cn"?

- Try to move your mobile phone close to the range extender, turn on the phone's Wi-Fi and ensure it connects to the range extender's wireless network(MAXEYE).
- Try to change you browser, and ensure you input the website in the address bar instead of search bar. You can also input "192.168.19.252" in your browser's address bar to get into the settings interface.
- If you set up on the computer, please ensure your computer has been set as getting IP address automatically.

Status of indicator lights

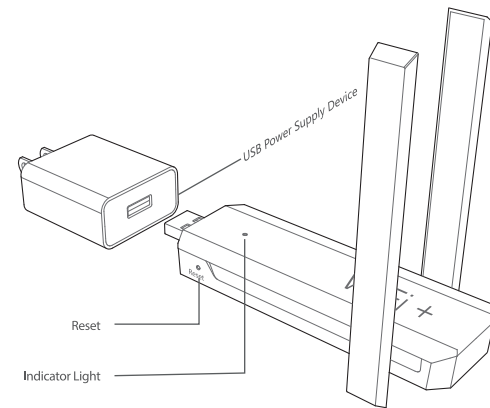
Blue light flashes slowly	Unconfigured
Red light flashes fast	Extension failed
Blue light flashes fast	Extended successfully, good connection;
Red light keeps on	Extended successfully, too far from the router.

Quick Installation Guide

Wi-Fi Range Extender | WIFI+S

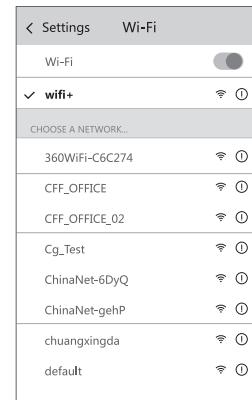
Installation Steps

- 1 Connect the range extender to any 5V USB power supply device, to begin the initiation process. Blue LED will flash to indicate successful startup.

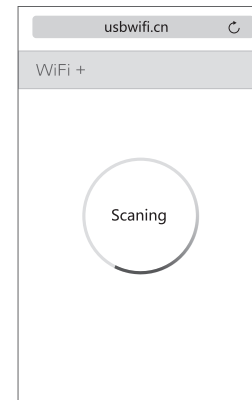


*Can not be used on computers, notebook or powerbank

- 2 Go to Wi-Fi setting menu of your phone and select "wifi+" from the network list



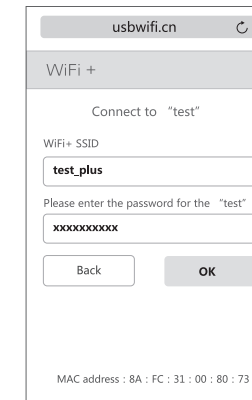
- 3 Input "usbwifi.cn" in the browser, and the range extender will start to scan for nearby Wi-Fi networks.



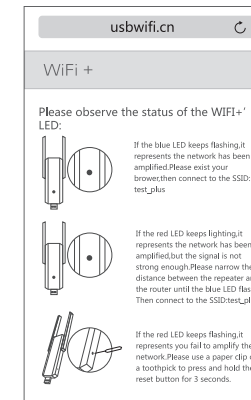
- 4 Select the network you want to extend. For example: test



- 5 Input the password of the network you want to extend, and input the new SSID (optional) and click ok. For example: test_plus.



- 6 1 minutes later, check the indicator's status, if blue LED keeps flashing, indicating successful expansion; if red LED keeps on, indicating it's too far away from the router.



- 7 Go back to the Wi-Fi setting menu and connect the new SSID which has been set in step 5.

